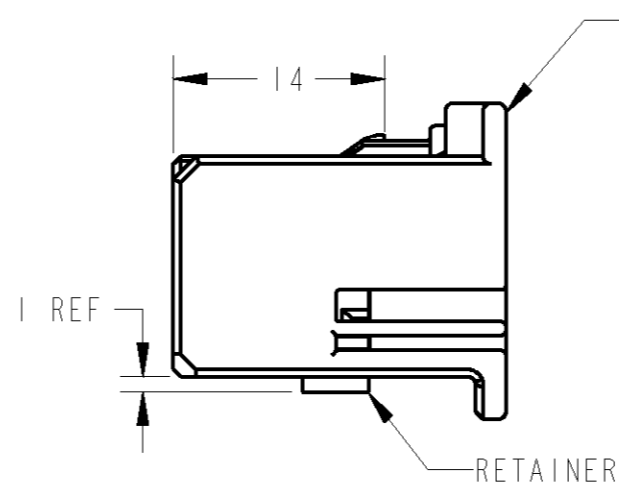
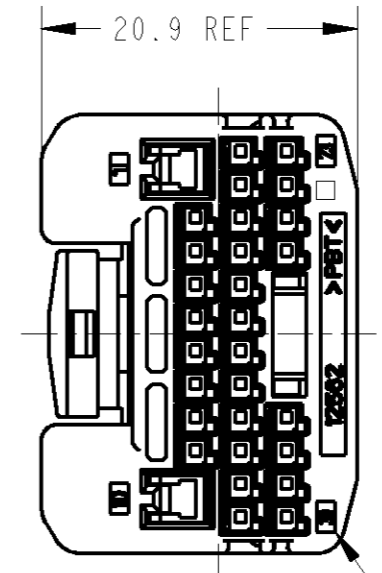
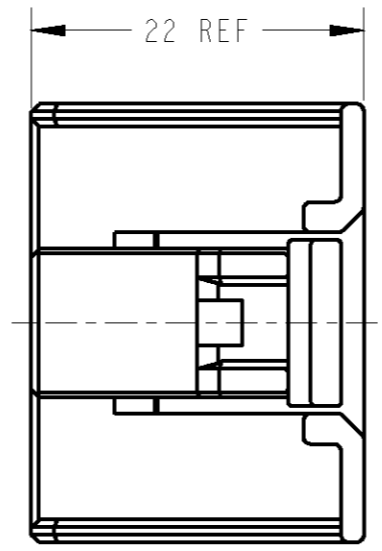
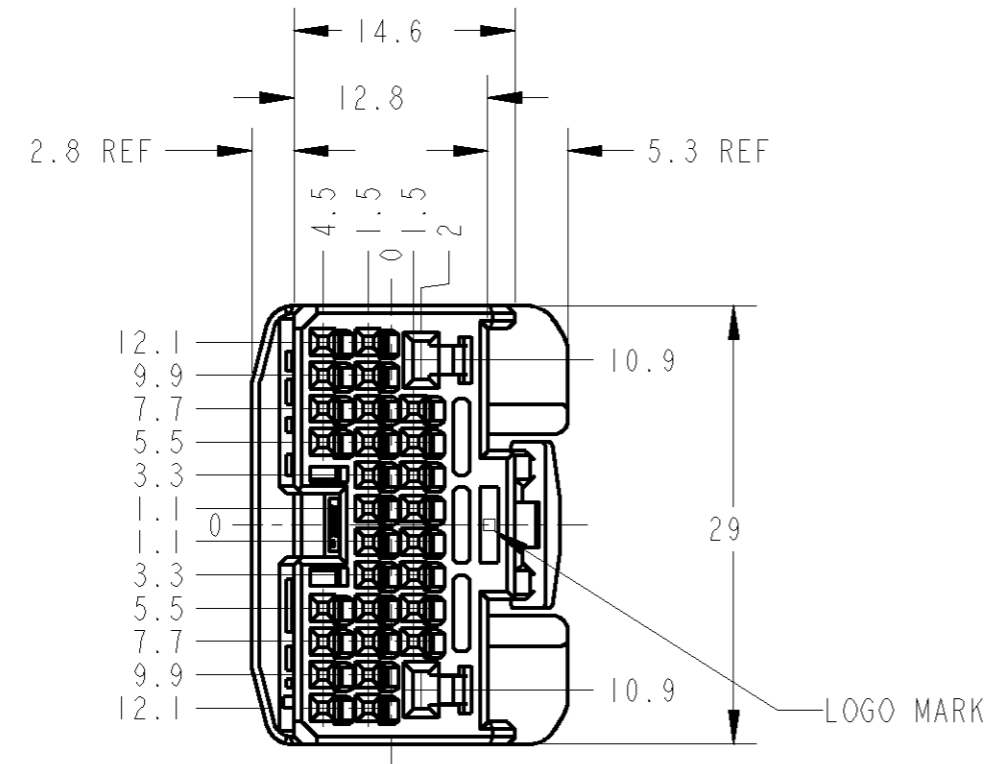


THIS DRAWING IS UNPUBLISHED. RELEASED FOR PUBLICATION 20  
 © COPYRIGHT 20 BY TYCO ELECTRONICS CORPORATION. ALL RIGHTS RESERVED.

LOC	DIST	REVISIONS						
J	-	P	LTR	DESCRIPTION	ECN	DATE	DWN	APVD
			0	RELEASED	FJA0-387-04	13AUG04	YM	HY
			01	ADD -2	ECR-05-011611	22SEP05	AY	HY
			A	REVISED	ECR-10-007504	26MAY10	TS	KB



1. RETAINER SHOULD BE PRE-ASSEMBLED CONDITION TO HOUSING.
2. INSTRUCTION SHEET NO. 411-78080.
3. PART NUMBER OF CAP HOUSING TO BE MATED : SEE TABLE-1
4. APPLIED TERMINALS : SEE TABLE-2

1. プラグハウジングにリテーナを仮係止して出荷される
2. 取扱説明書NO. 411-78080
3. 嵌合相手型番 : TABLE-1参照
4. 適用端子 : TABLE-2参照

TABLE-2

SIGNAL	TIN	POS 極数	TERMINAL PART NO. 端子型番	APPLICABLE WIRE RANGE 適用電線
POWER 09011	TIN	2	S : SEE TABLE-3	CAVUS 0.3~0.5mm <sup>2</sup> CAVS/AVSS 0.3~0.5mm <sup>2</sup> AVS 0.3~0.5mm <sup>2</sup>
			M : SEE TABLE-3	CAVUS 0.5~1.25mm <sup>2</sup> CAVS/AVSS 0.5~1.25mm <sup>2</sup> AVS 0.5~1.25mm <sup>2</sup>
			L : SEE TABLE-3	AVSS 2mm <sup>2</sup>

TABLE-1

POS 極数	CAP ASSEMBLY PART NO. キャップ番号
80	1318751

PAPER BOX タンボール	PLASTIC BAG ビニール袋	BLACK	1746865-2 <sup>(01)</sup>
PAPER BOX タンボール	PLASTIC BAG ビニール袋	NATURAL	1746865-1
OUTER 外装	INNER 内装	COLOR	PART NUMBER
PACKING STYLE 梱包形態			

TABLE-3

TERMINAL MAKER 端子メーカー	SIZE サイズ		
	S	M	L
YAZAKI PARTS CO., LTD. 矢崎部品(株)殿	7116-4020	7116-4021	7116-4022
SUMITOMO WIRING SYSTEMS, LTD. 住友電装(株)殿	8240-4882	8240-4892	8240-4942
TOKAI RIKI CO., LTD. (株)東海理化電機製作所殿	4R1190-0004E	4R1191-0004E	4R1192-0005F

THIS DRAWING IS A CONTROLLED DOCUMENT FOR TYCO ELECTRONICS CORPORATION  
 IF IS SUBJECT TO CHANGE AND THE CONTROLLING ENGINEERING ORGANIZATION  
 SHOULD BE CONTACTED FOR THE LATEST REVISION.

DIMENSIONS: 単位: 概 mm	TOLERANCES UNLESS OTHERWISE SPECIFIED: 一般公差 ±0.3 0-PLC ± 1-PLC ±0.1 2-PLC ±0.01 3-PLC ±0.001 4-PLC ±0.0001 ANGLES ±3'00"
MATERIAL 材料 PBT	FINISH 仕上 SEE TABLE

DWN Y. MITO 13AUG04	Tyco Electronics Corporation Kawasaki, Japan	
CHK H. YAMAGAMI 13AUG04	NAME 名称 0.64111/2.311 SERIES CONNECTOR 30 POSITION PLUG ASSEMBLY	
APVD S. ISOHATA 13AUG04	PRODUCT SPEC 製品規格 108-5953	RESTRICTED TO
APPLICATION SPEC 取付適用規格 114-5329	SIZE A3	CAGE CODE 00779
WEIGHT 6.88 g	DRAWING NO C=1746865	SCALE 尺度 2:1
CUSTOMER DRAWING	SHEET 1	OF 1
	REV A	

单击下面可查看定价，库存，交付和生命周期等信息

[>>TE Connectivity\(泰科\)](#)