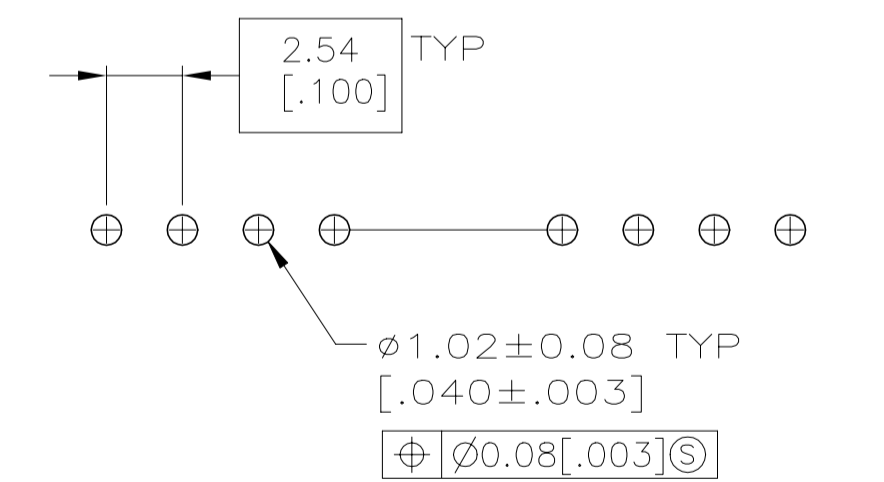
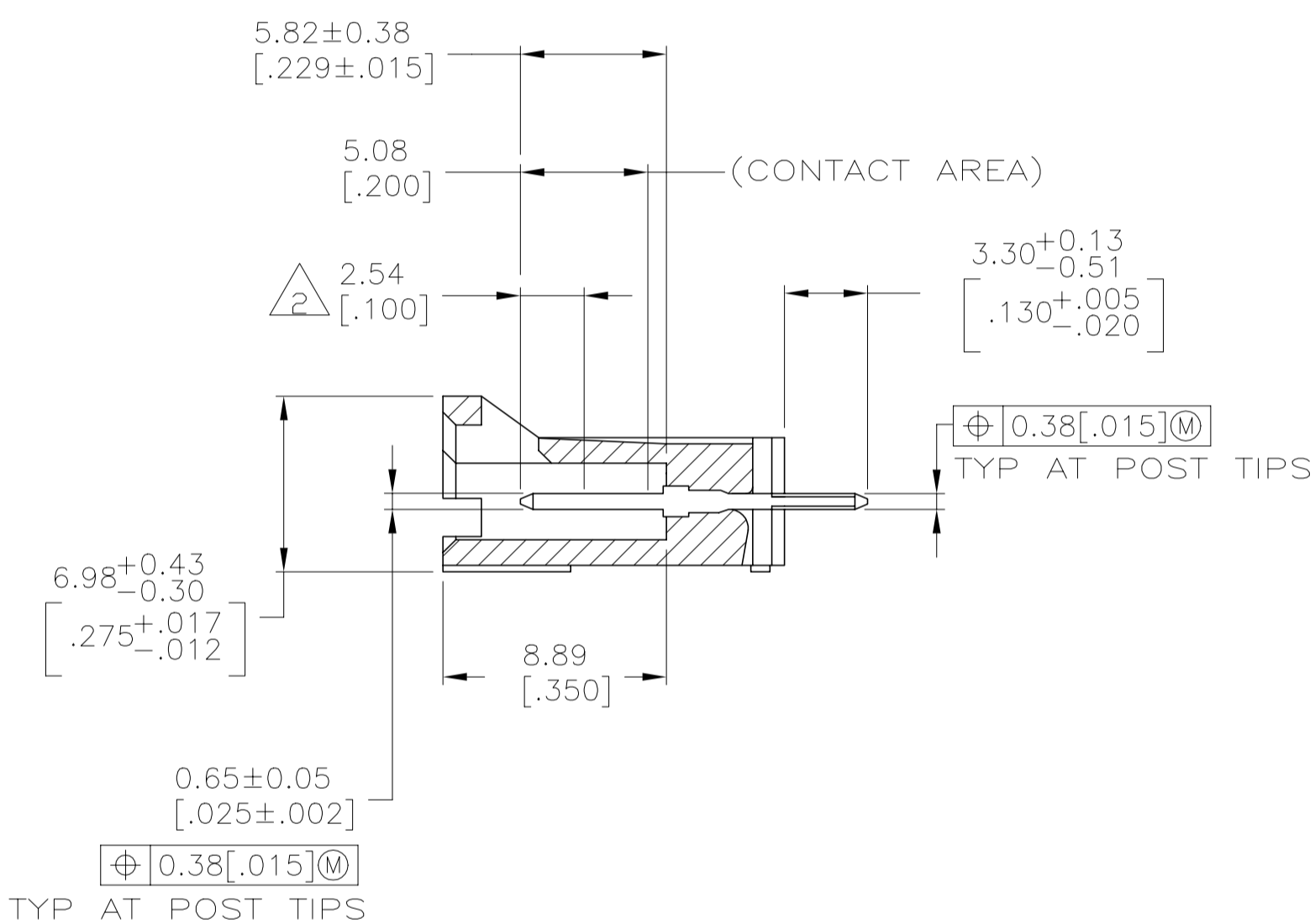
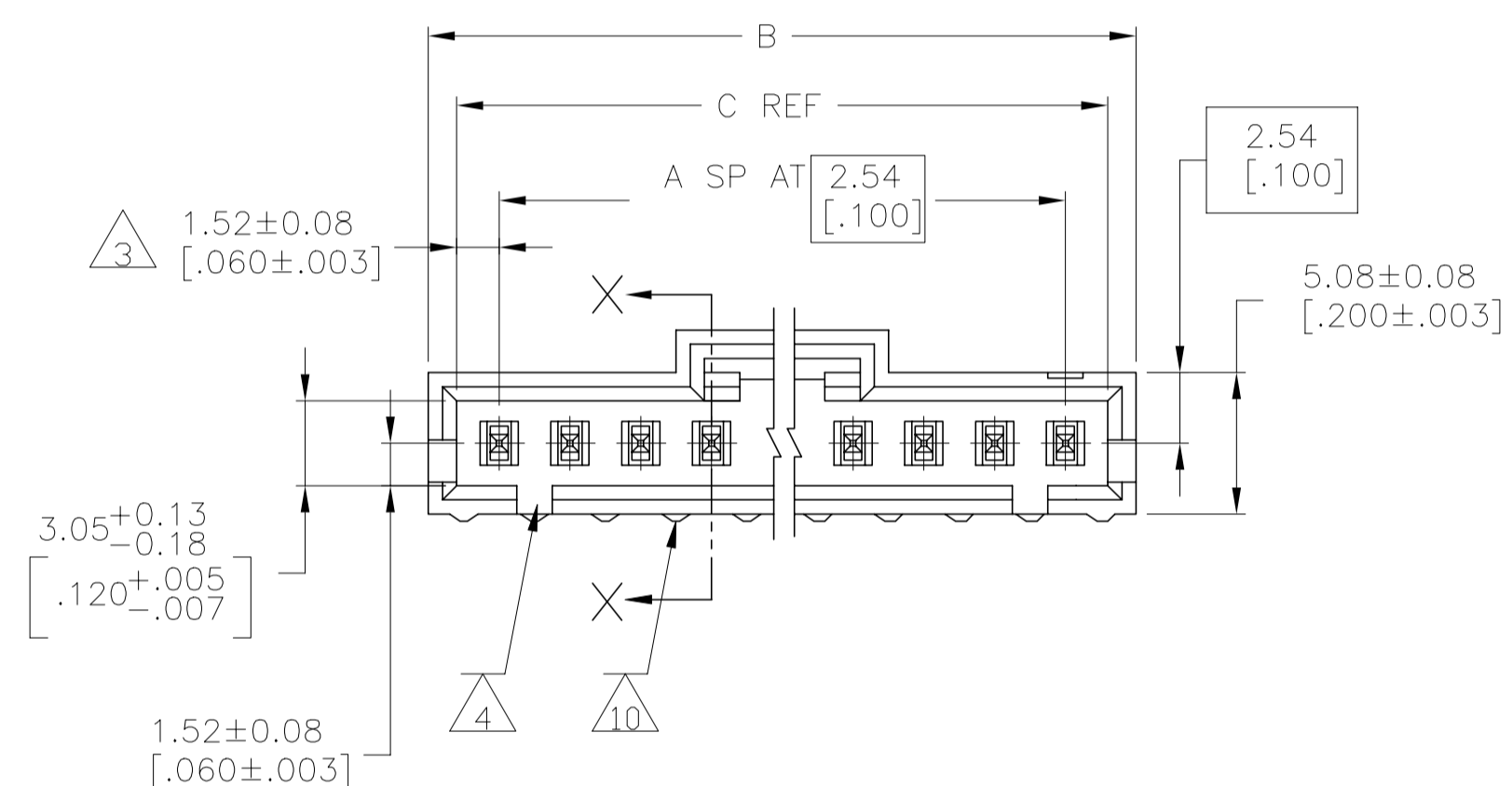
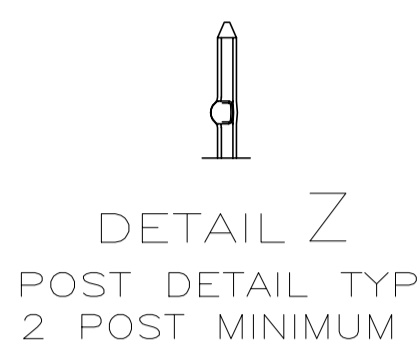
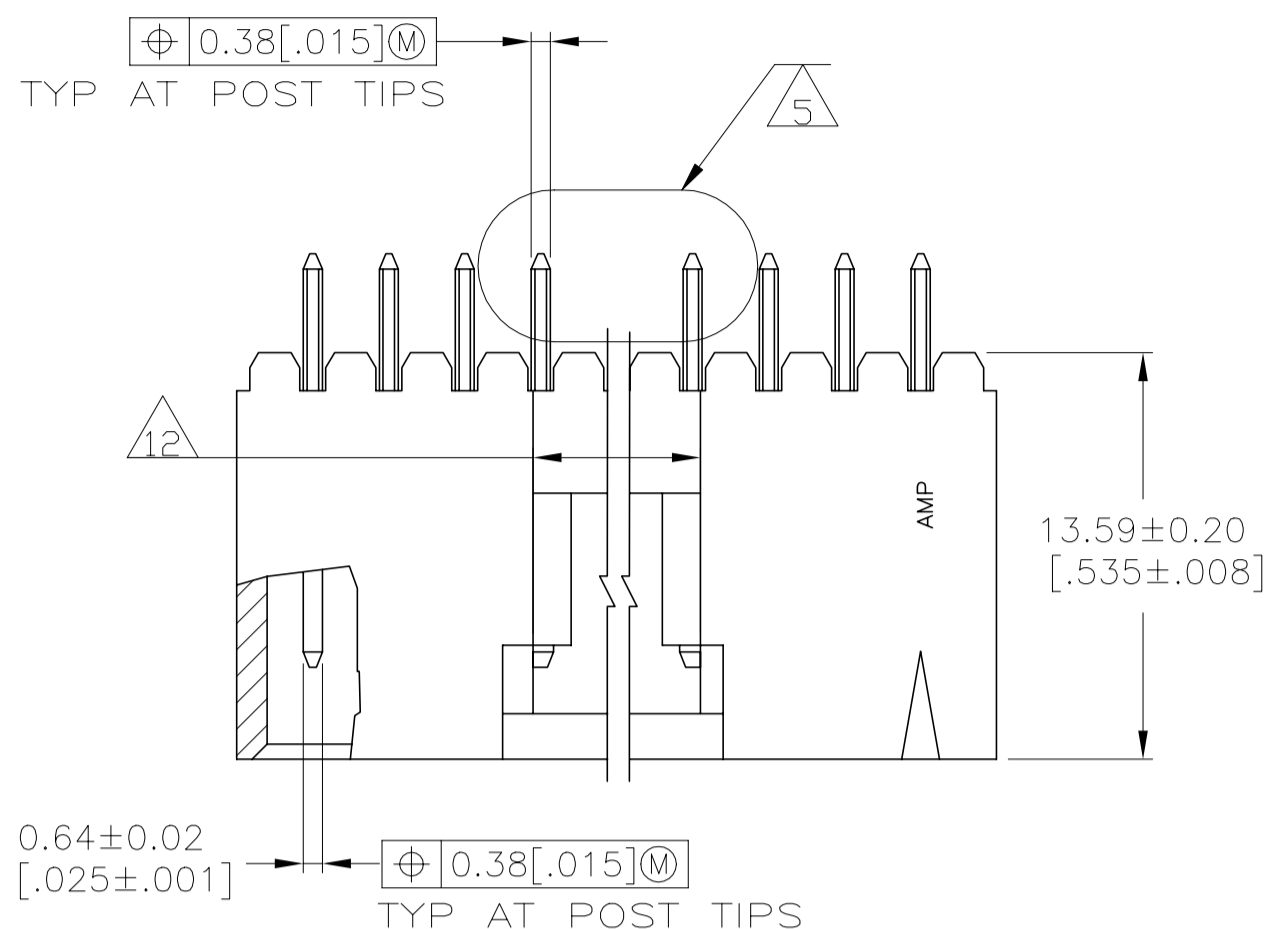


REVISIONS					
P	LTR	DESCRIPTION	DATE	DRN	APVD
D		REVISED PER ECO-20-001327	04JUN2020	SB	JO



- 1 .00254[.000100] BRIGHT TIN OVER .00127[.000050] NICKEL.
- 2 POINT OF MEASUREMENT FOR PLATING THICKNESS.
- 3 THE NOTED DIMENSIONS APPLY AT THE INTERSECTION OF THE POST AND THE HOUSING.
- 4 ON ASSEMBLIES WITH FOUR OR MORE POSITIONS, TWO POLARIZATION SLOTS.
ON ASSEMBLIES WITH TWO OR THREE POSITIONS, ONE POLARIZATION SLOT.
- 5 SELECT POST TAILS FORMED TO PROVIDE CONNECTOR HOLD DOWN UNTIL SOLDERED. CONFIGURATION ACCEPTS 0.69[.027]-2.03[.080] THICK PRINTED CIRCUIT BOARD. (SEE DETAIL Z).
- 6 PARTS TO BE PACKAGED IN A SINGLE OUT TUBE.
- 7 MATERIAL: HOUSING: FLAME RETARDANT LCP, COLOR - BLACK.
CONTACTS: BRASS.
- 8 .00254[.000100] MATTE TIN OVER .00127[.000050] NICKEL.
- 9 HIGH TEMPERATURE CONFIGURATION
- 10 STANDOFFS NOT PRESENT ON UNDERSIDE OF ASSEMBLY
- 11 OBSOLETE PARTS: OBSOLETE CIS STREAMLINING PER D.RENAUD/D.SINISI
- 12 0.25 [.010] RECESS PERMISSIBLE IN THIS AREA FOR MOLD SHUT OFF

OBSOLETE	9	10	8	36.07 [1.420]	37.97 [1.495]	13	14	5-147060-2
	9	10	8	8.13 [.320]	10.03 [.395]	2	3	5-147060-1
OBSOLETE	9	1	1	36.07 [1.420]	37.97 [1.495]	13	14	147060-2
	9	1	1	8.13 [.320]	10.03 [.395]	2	3	147060-1
REMARKS	PLATING	C	B	A	NO. OF POSN	PART NO.		

THIS DRAWING IS A CONTROLLED DOCUMENT.		DWN S. SHUEY 3-5-91	TE Connectivity	
DIMENSIONS: mm [INCHES]		DWR M. RIDER 2-14-92	HDR ASSY,VERT,SINGLE ROW	
TOLERANCES UNLESS OTHERWISE SPECIFIED:		APVD -	2.54[.100]CL.0.64[.025]SQ POST,	
0 PLC ± -	PRODUCT SPEC 108-25034	WITH PLZN&RETENTIVE POSTS.		
1 PLC ± -	APPLICATION SPEC 114-25026	SIZE A1	CAGE CODE 00779	DRAWING NO C=147060
2 PLC ± 0.13[.005]	WEIGHT -	RESTRICTED TO		
3 PLC ± -	FINISH SEE TABLE	CUSTOMER DRAWING		
4 PLC ± -	SCALE 4:1	SHEET 1 OF 1 REV D		
ANGLES ± -				

单击下面可查看定价，库存，交付和生命周期等信息

[>>TE Connectivity\(泰科\)](#)