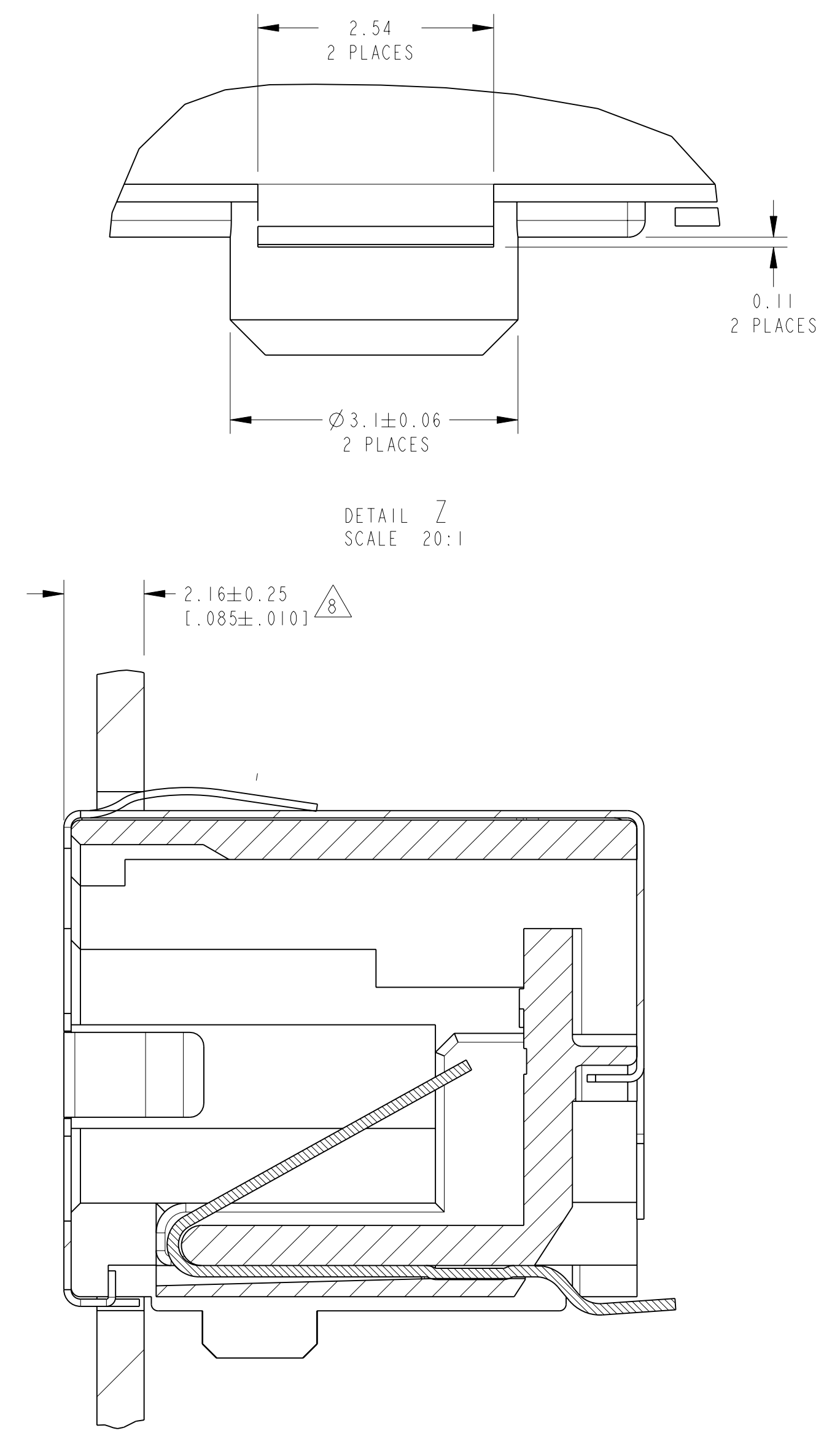
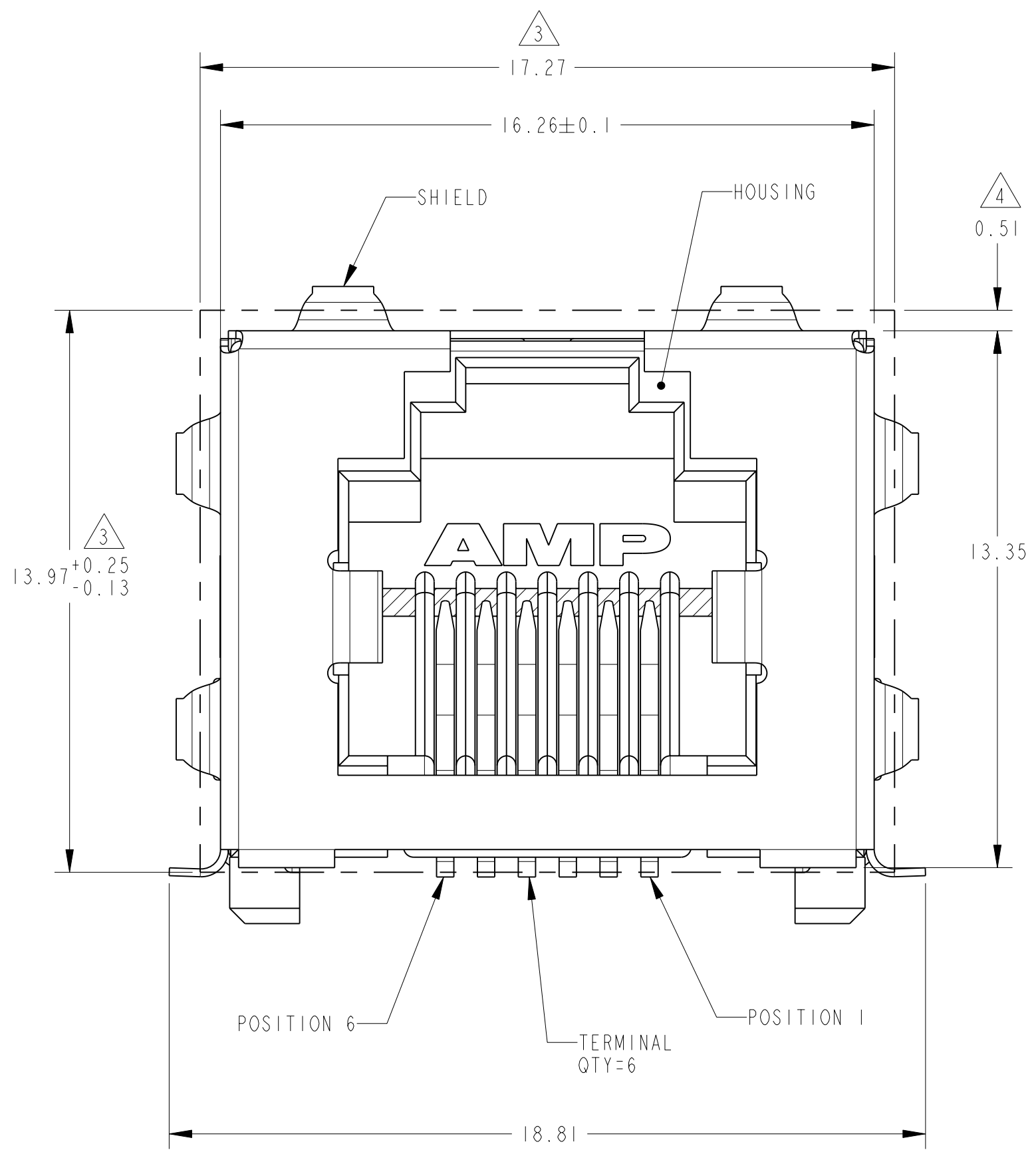
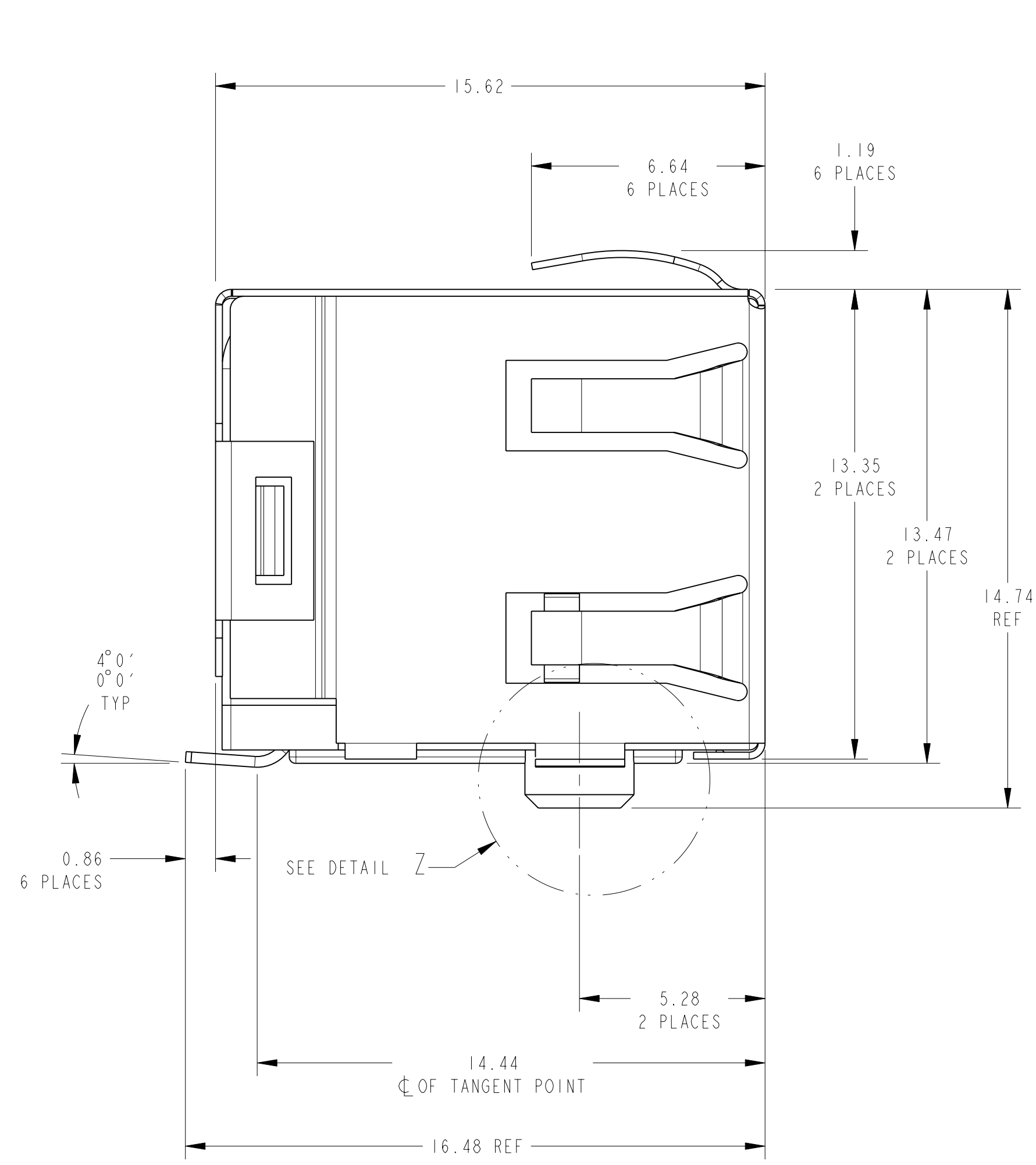
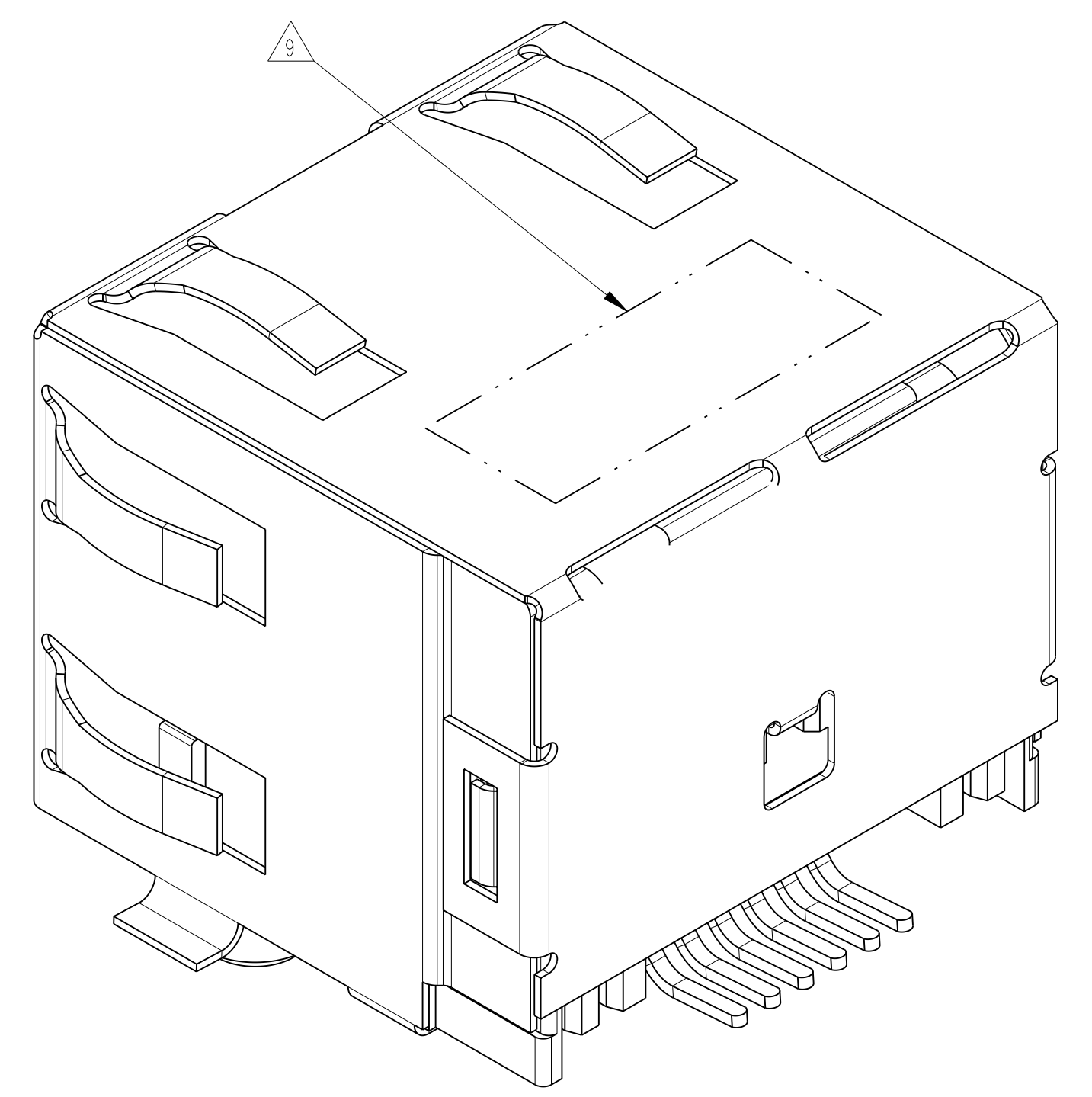
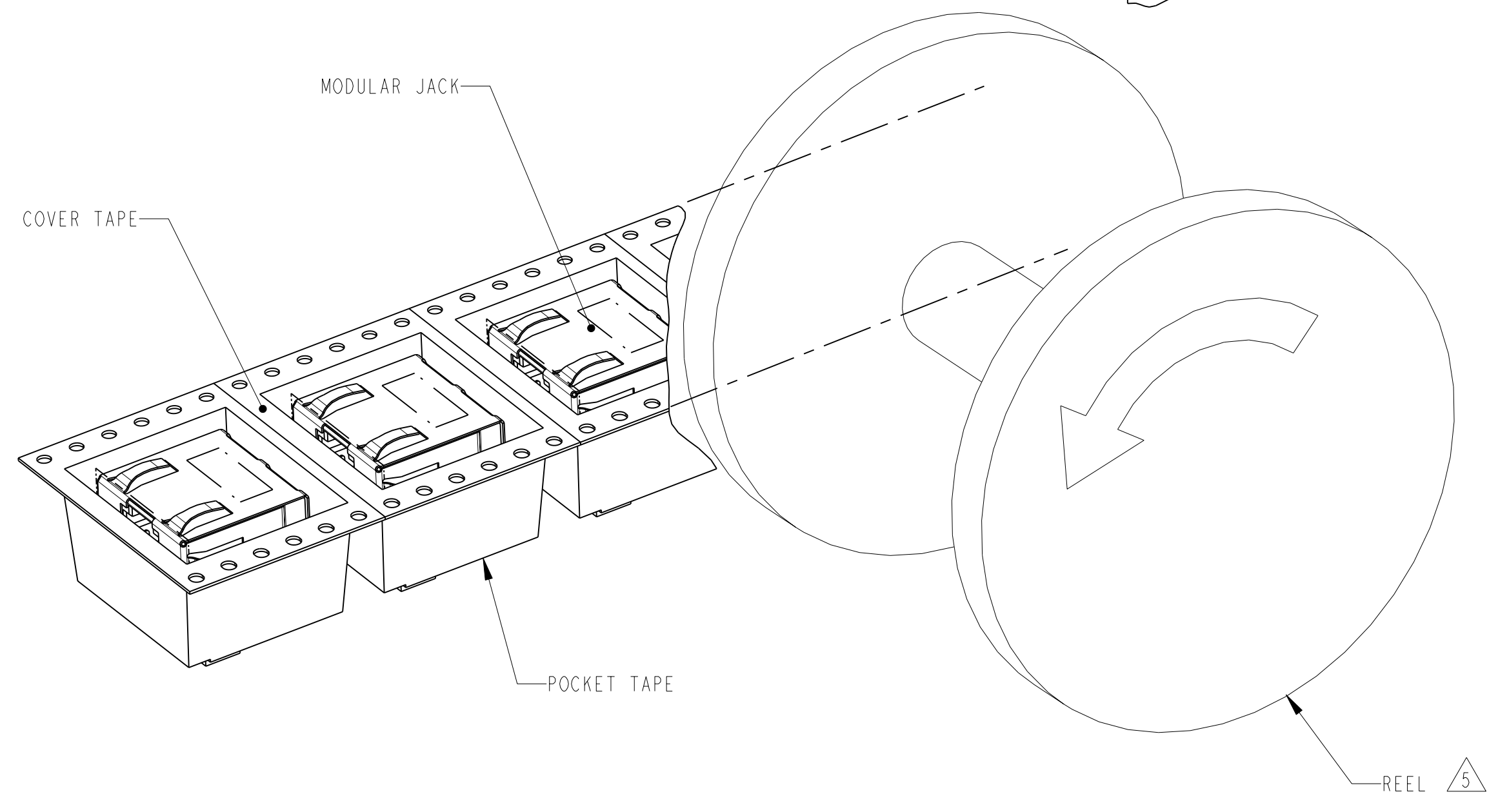
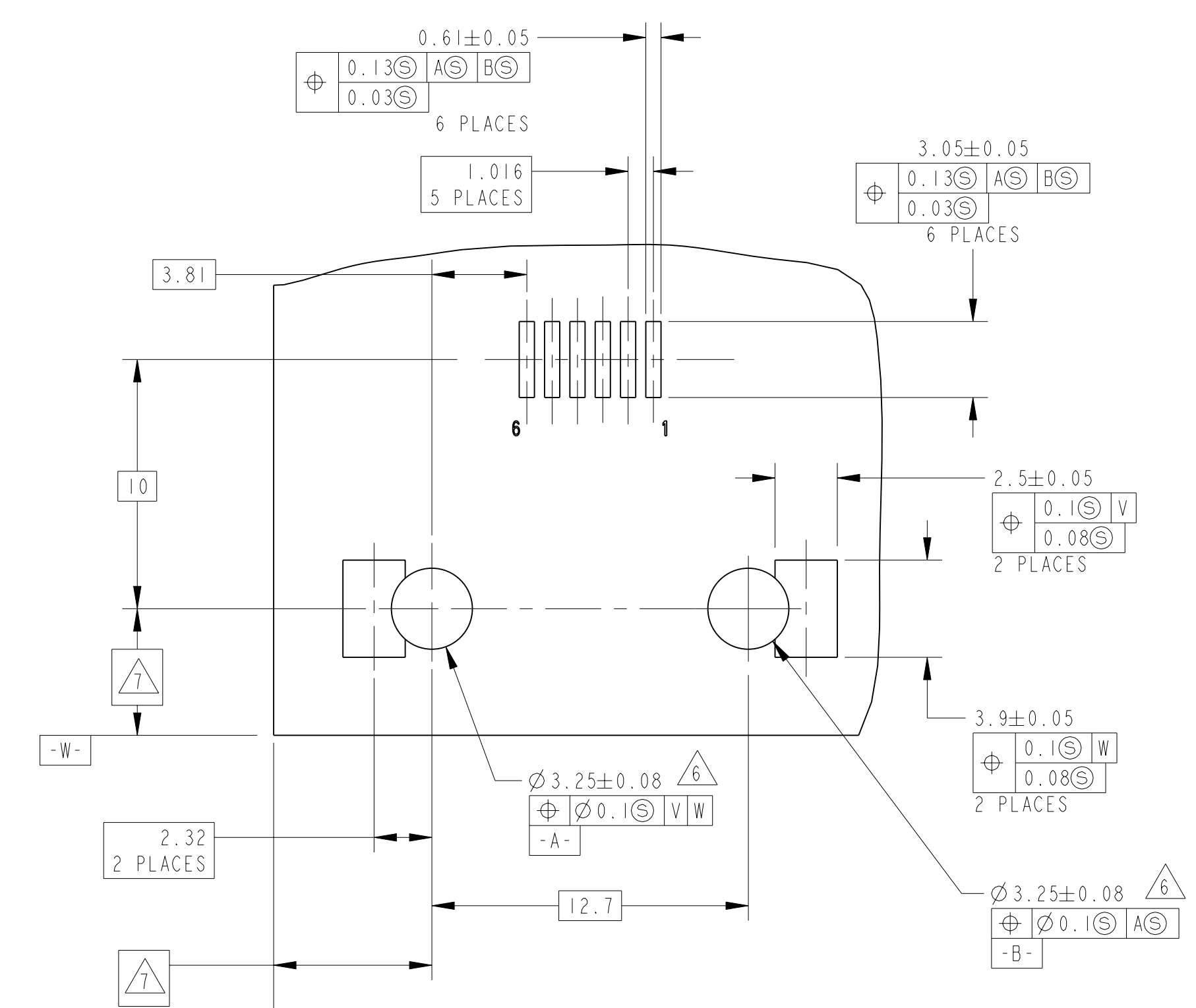


LOC	DIST	REV	DESCRIPTION	DATE	BY	APPD
IR	-	C	HOUSING RAW MATERIAL CHANGED TO LCP	18NOV2011	PS	RRP



- 1 MATERIAL:  
HOUSING - HIGH TEMPERATURE THERMOPLASTIC - LCP, BLACK, UL94V-0.  
TERMINALS - 0.30 THICK PHOS BRONZE PLATED WITH 2.03µm MINIMUM THICK MATTE TIN IN SOLDER AREA. 1.27µm GOLD IN LOCALIZED PLATE AREA. ENTIRE TERMINAL PLATED WITH 1.27µm THICK NICKEL.  
SHIELD - 0.196 THICK BRASS PREPLATED WITH 2.03µm-3.81µm THICK MATTE TIN OVER 0.76µm-2.03µm NICKEL UNDERPLATE.
- 2. JACK CAVITY CONFORMS TO FCC RULES AND REGULATIONS PART 68, SUBPART F.
- 3. SUGGESTED PANEL OPENING DIMENSIONS. SEE APPLICATION SPEC 114-2154 FOR PANEL THICKNESS AND POSITION RECOMMENDATIONS.
- 4. SUGGESTED CLEARANCE BETWEEN TOP OF CONNECTOR AND TOP PANEL OPENING.
- 5. PACKAGED: POCKET TAPE & REEL (PER EAI 481 SPECIFICATIONS)  
POCKET TAPE WIDTH - 44mm  
POCKET PITCH - 24mm  
POCKET DEPTH - 16.7mm  
CLEAR COVER TAPE, PSA  
CLEAR COVER TAPE TRAILER - 1220mm, WRAPPED ON REEL HUB  
PLASTIC REEL - 381mm DIAMETER  
PRODUCT QUANTITY - 200 PIECES PER REEL
- 6. ZERO INSERTION FORCE POST WITH RECOMMENDED PCB LAYOUT.
- 7. DATUM ESTABLISHED BY CUSTOMER.
- 8. CONNECTOR SHOULD BE POSITIONED THRU PANEL CUTOUT AS SHOWN TO SUPPORT TOP OF MODULAR JACK FOR STRAIN RELIEF
- 9. MANUFACTURING DATE CODE LOCATED APPROXIMATELY AS SHOWN. FIRST 2 DIGITS ARE YEAR, SECOND 2 DIGITS ARE WORK WEEK, LAST DIGIT IS THE DAY OF THE WEEK



SUGGESTED PCB LAYOUT (COMPONENT SIDE)

THIS DRAWING IS A CONTROLLED DOCUMENT.		DWN: S. ATTADIA 21 JUN 2005 CHK: J. WESTMAN 21 JUN 2005 APVD: S. FLICKINGER 21 JUN 2005	NAME: INVERTED MOD JACK ASSEMBLY, 1X1, SHIELDED SURFACE MOUNT, 6 POSITION RJ11, W/O LEDS PRODUCT SPEC: 108-1163-7 APPLICATION SPEC: 114-6040/114-2154 WEIGHT: - CUSTOMER DRAWING
DIMENSIONS: mm TOLERANCES UNLESS OTHERWISE SPECIFIED: 9 PLC ± 1 PLC ±0.25 5 PLC ± 4 PLC ± ANGLES ±	MATERIAL: SEE FINISH: SEE	SIZE: A1 CAGE CODE: 00779 DRAWING NO: 6339212	RESTRICTED TO: - SCALE: 8:1 SHEET: 1 OF 1 REV: C

单击下面可查看定价，库存，交付和生命周期等信息

[>>TE Connectivity\(泰科\)](#)