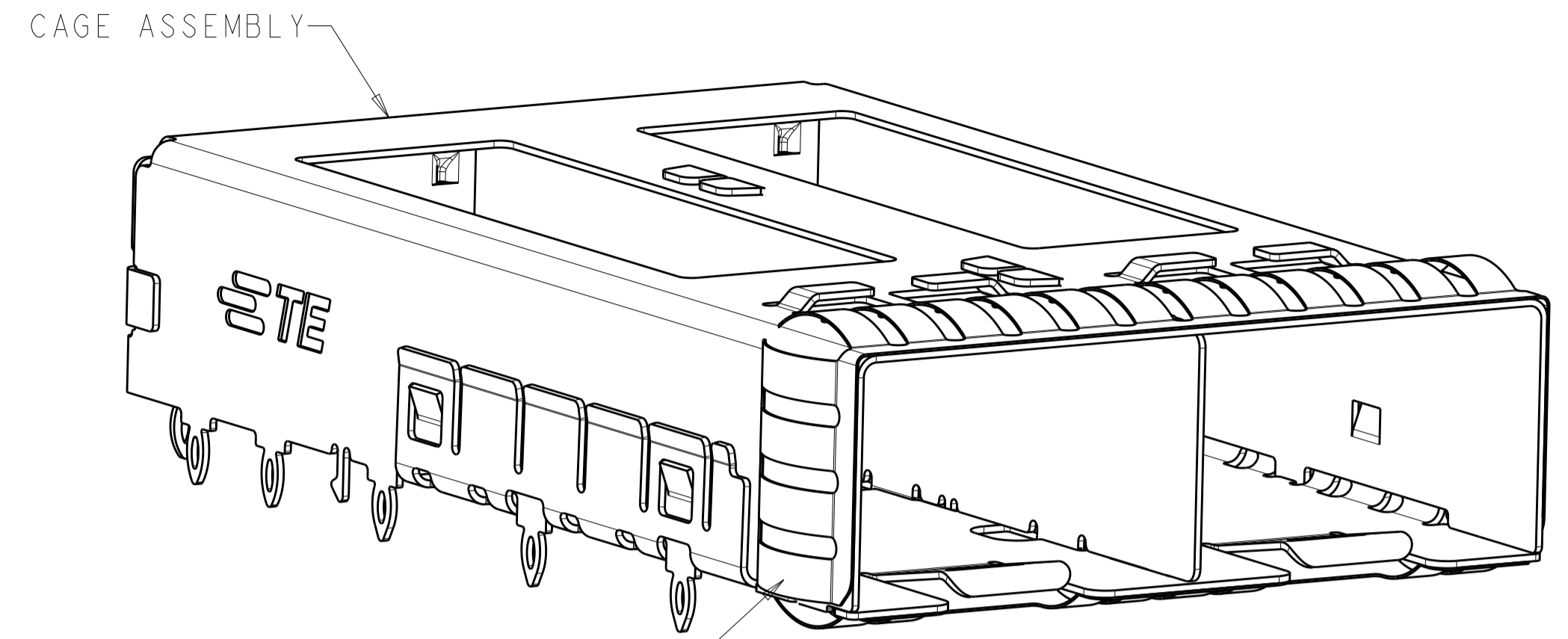
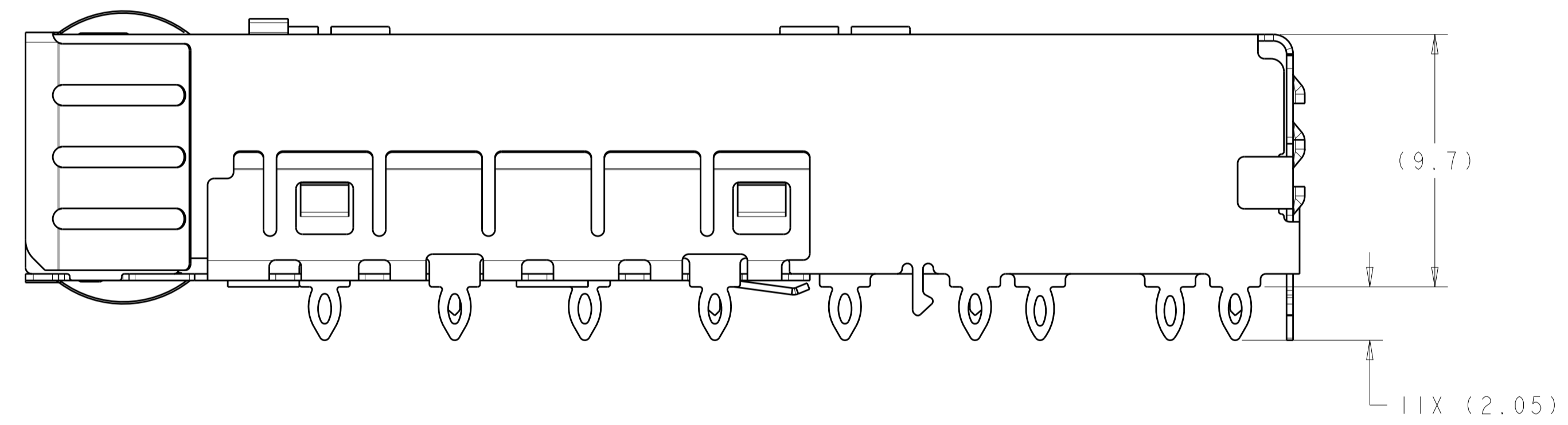
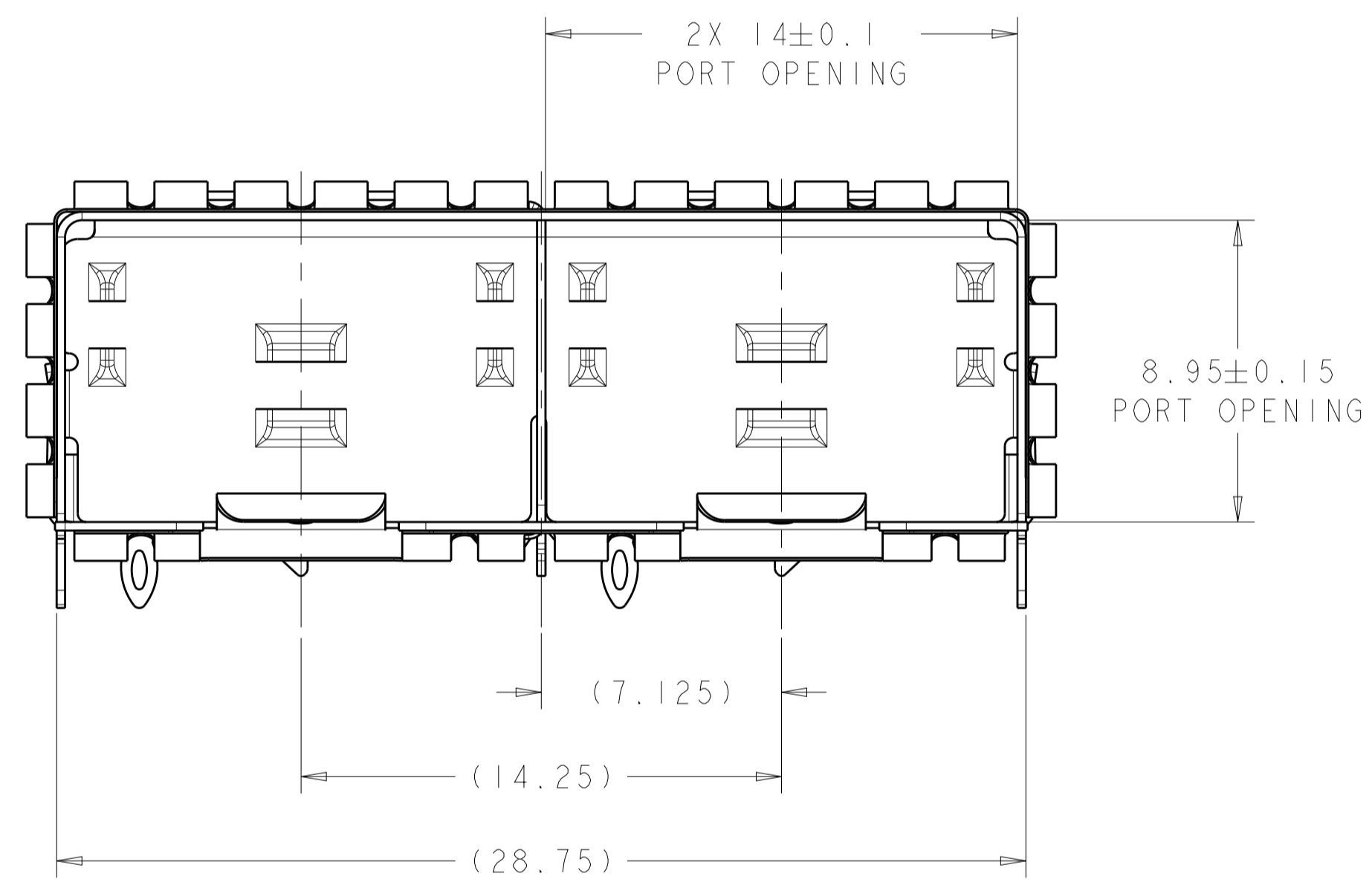


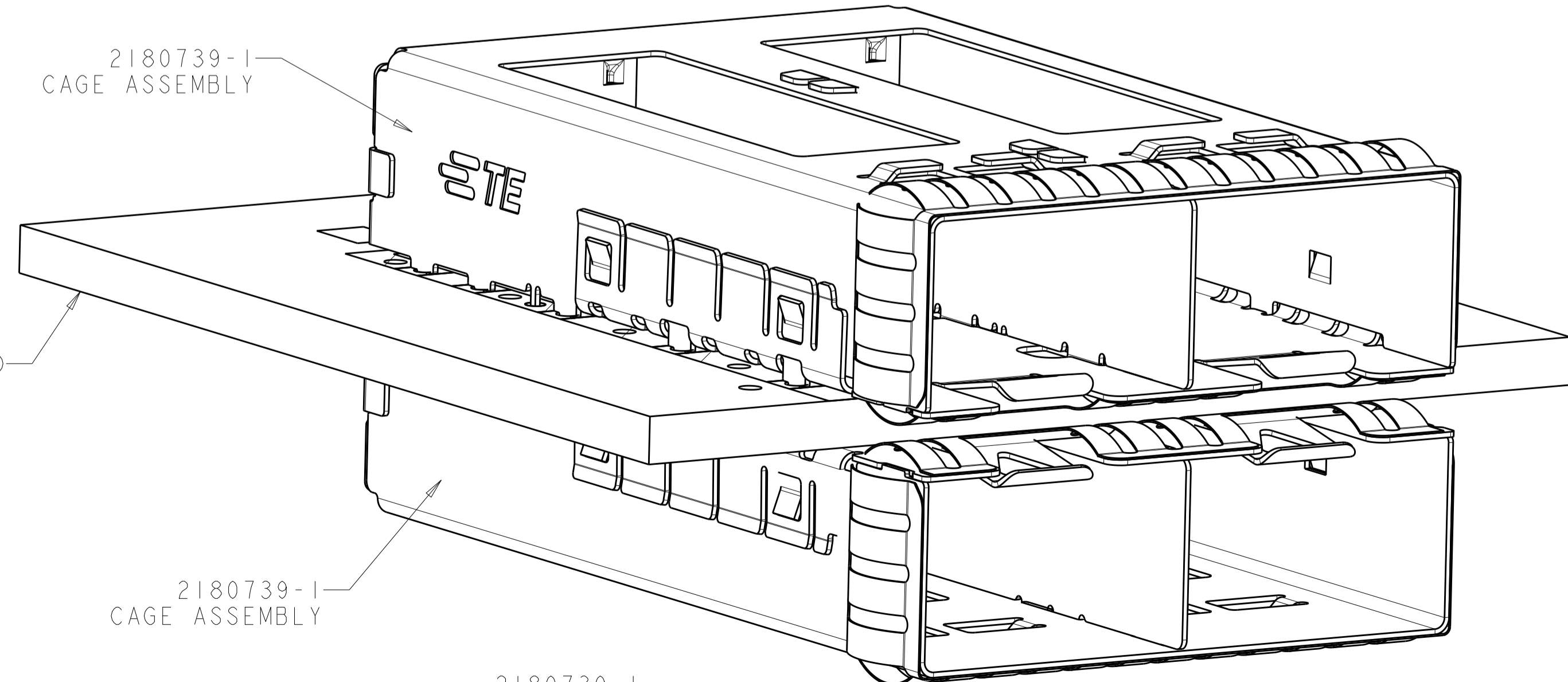
LOC	DIST	REVISIONS					
GP	00	P	LTN	DESCRIPTION	DATE	DMN	APVD
		A		RELEASED PER ECO-12-013192	09OCT2012	BMM	MRS
		A1		RELEASED PER ECO-14-005063	16DEC2013	JZ	SH
		A2		REVISED PER ECR-18-016039	19OCT2018	IT	SH



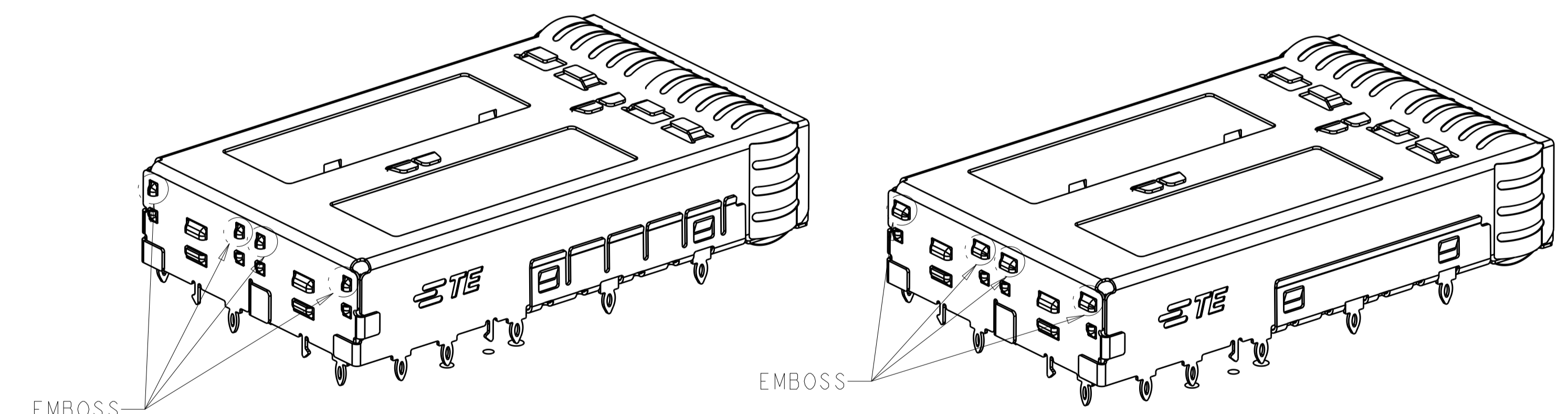
2180739-1
SCALE 5:1



- △ MATERIAL:
CAGE ASSEMBLY: 0.25mm THICK NICKEL SILVER ALLOY
EMI SPRINGS: COPPER ALLOY
- △ FINISH:
SPRINGS: MINIMUM OF 0.8mm MATTE TIN PLATED OVER MINIMUM OF 0.8um NICKEL UNDERPLATE.
NON-PLATED EDGES PERMISSIBLE.
- △ DATUM AND BASIC DIMENSIONS ESTABLISHED BY CUSTOMER.
- 4. MATES WITH SFP MSA COMPLIANT RECEIVERS.
- △ PADS AND VIAS CHASSIS GROUND.
- 6. INTERPRETATION OF DATUM REFERENCE FRAME IN ACCORDANCE WITH SECT 4.4.1.1 OR ASME Y14.5M-1994.
- △ MINIMUM PC BOARD THICKNESS:
SINGLE SIDED: 1.5mm
DOUBLE SIDED: 2.25mm
- △ HOLE PATTERN REPEATS FOR EACH PORT, SPACING BETWEEN PORTS IS 14.25mm.
- △ REFERENCE APPLICATION SPEC. 114-13120, HOLE A, FOR RECOMMENDED DRILL HOLE DIAMETER AND PLATING THICKNESS.
- △ REFERENCE APPLICATION SPEC. 114-13120, HOLE B, FOR RECOMMENDED DRILL HOLE DIAMETER AND PLATING THICKNESS.
- 11. CERTAIN MATING TRANCEIVERS MAY REQUIRE ADDITIONAL PCB THICKNESS THAT WOULD NEED TO BE DETERMINED BY THE CUSTOMER.
- △ PRODUCT COMPLIES WITH SPECIFICATION SFF-8433, IMPROVED PLUGGABLE FORM FACTOR FOR SFP+ GANGED CAGES.



2180739-1
MOUNTED BELLY TO BELLY
SCALE 5:1



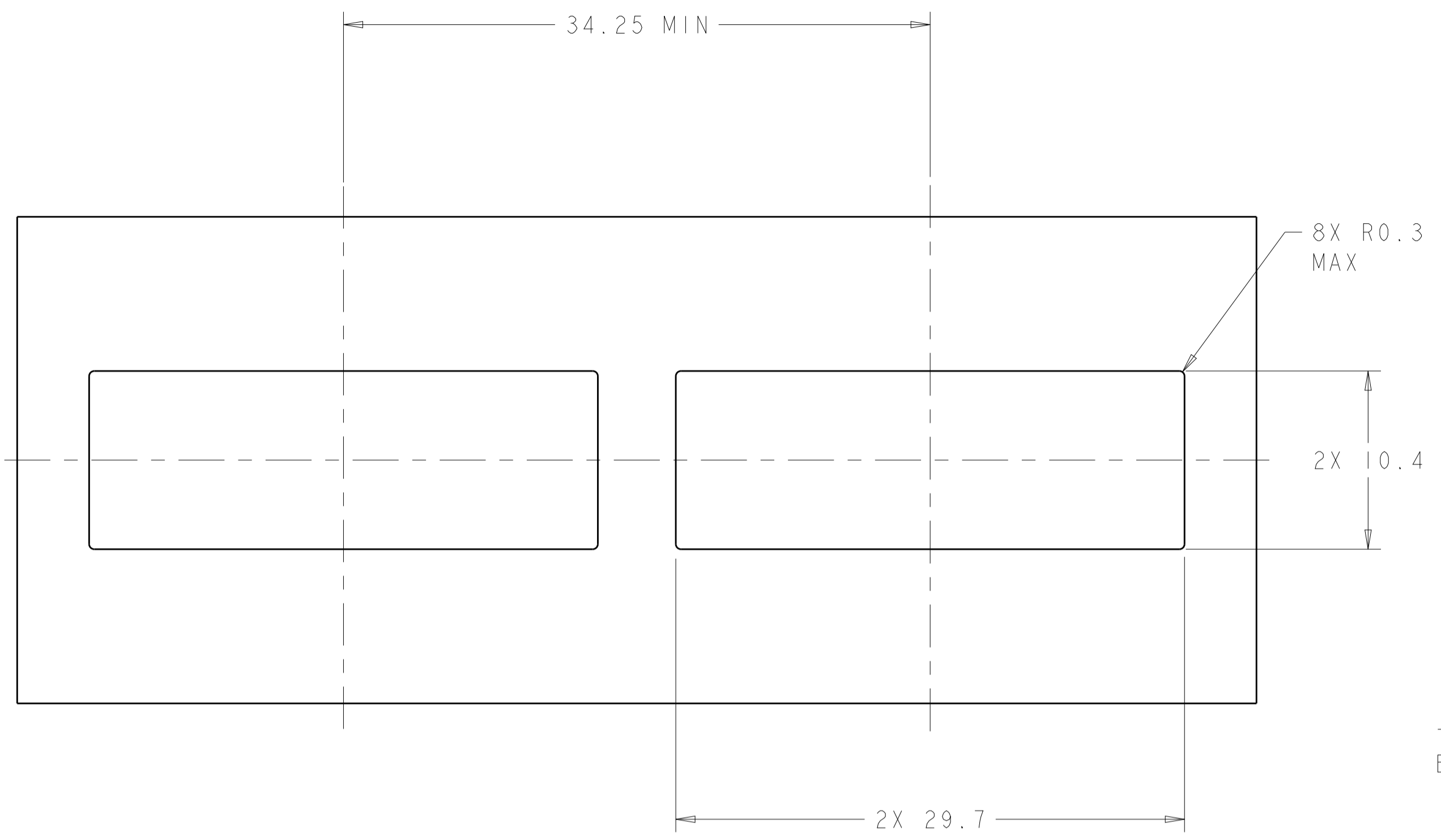
2180739-1

2180739-3
SAME AS 2180739-1,
EXCEPT FOUR EMBOSS AND SIDE TABS

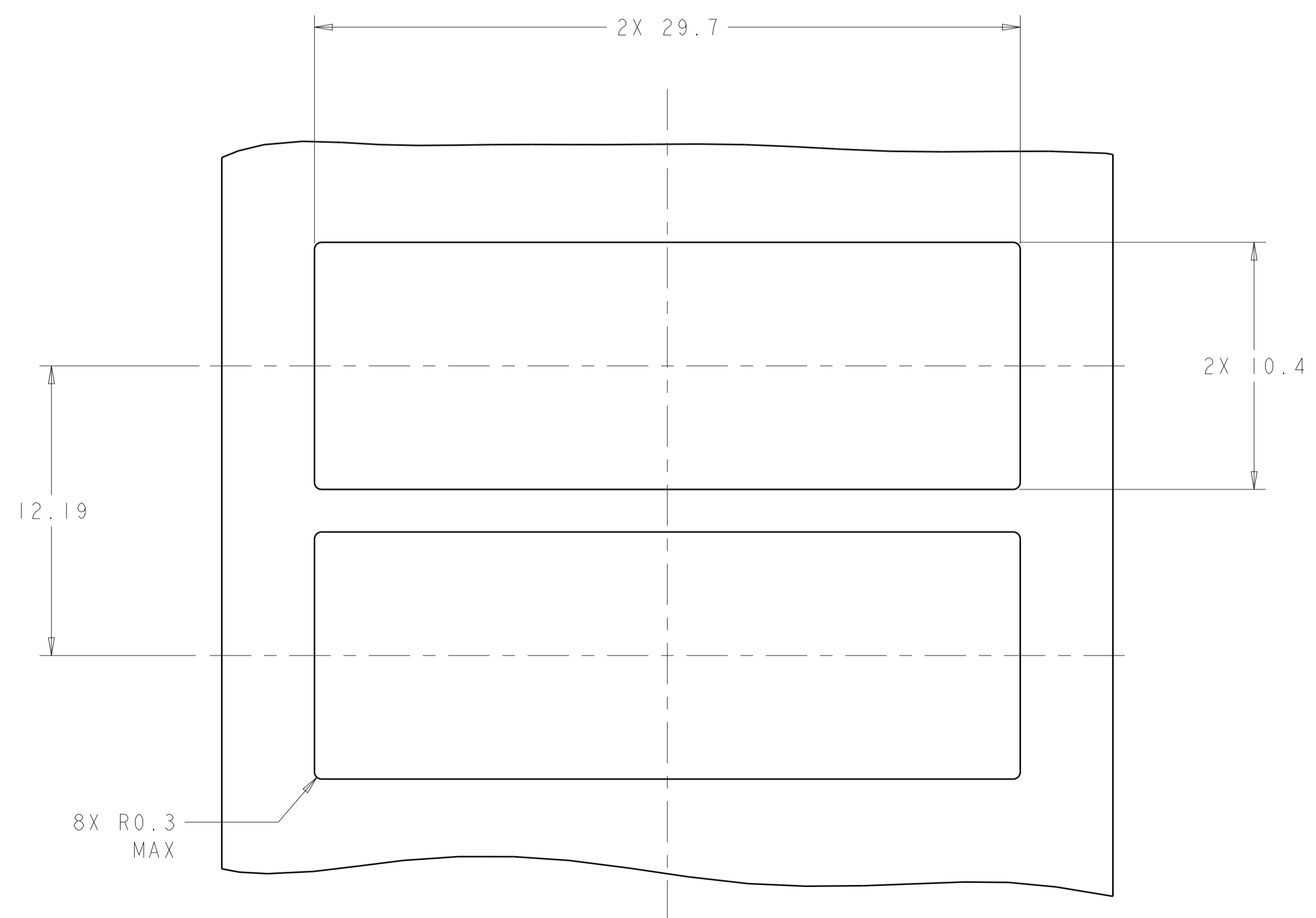
2180739-3
2180739-1
PART NUMBER

THIS DRAWING IS A CONTROLLED DOCUMENT.		DMN: B. MATTHEWS, 24MAY2011	TE Connectivity NAME: SFP+ ENHANCED 1X2 CAGE ASSEMBLY, PRESS-FIT, EMI SPRINGS
DIMENSIONS:		CHK: M. SCHMITT, 24MAY2011	
TOLERANCES UNLESS OTHERWISE SPECIFIED:		APVD: M. SCHMITT, 24MAY2011	
mm		PRODUCT SPEC	
0 PLC	±0.13	108-2364	SIZE: CAGE CODE DRAWING NO
1 PLC	±0.1	APPLICATION SPEC	RESTRICTED TO
2 PLC	±0.08	114-13120	A100779C=2180739
3 PLC	±0.05	WEIGHT	Customer Drawing
4 PLC	±0.05	SCALE: 6:1	SHEET 1 OF 4
ANGLES	±0.5	REV: A2	
MATERIAL	FINISH		

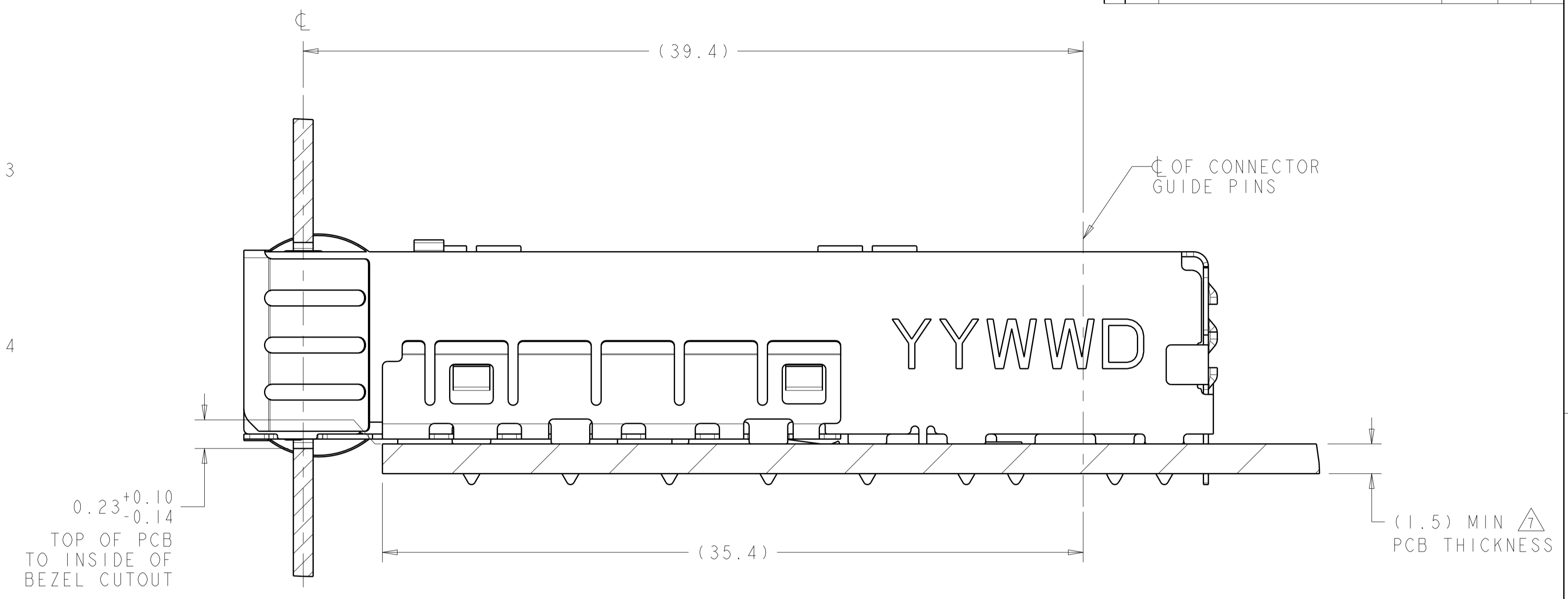
LOC	DIST	REVISIONS					
GP	00	P	LTN	DESCRIPTION	DATE	DMN	APVD
-	-	-	-	SEE SHEET 1	-	-	-



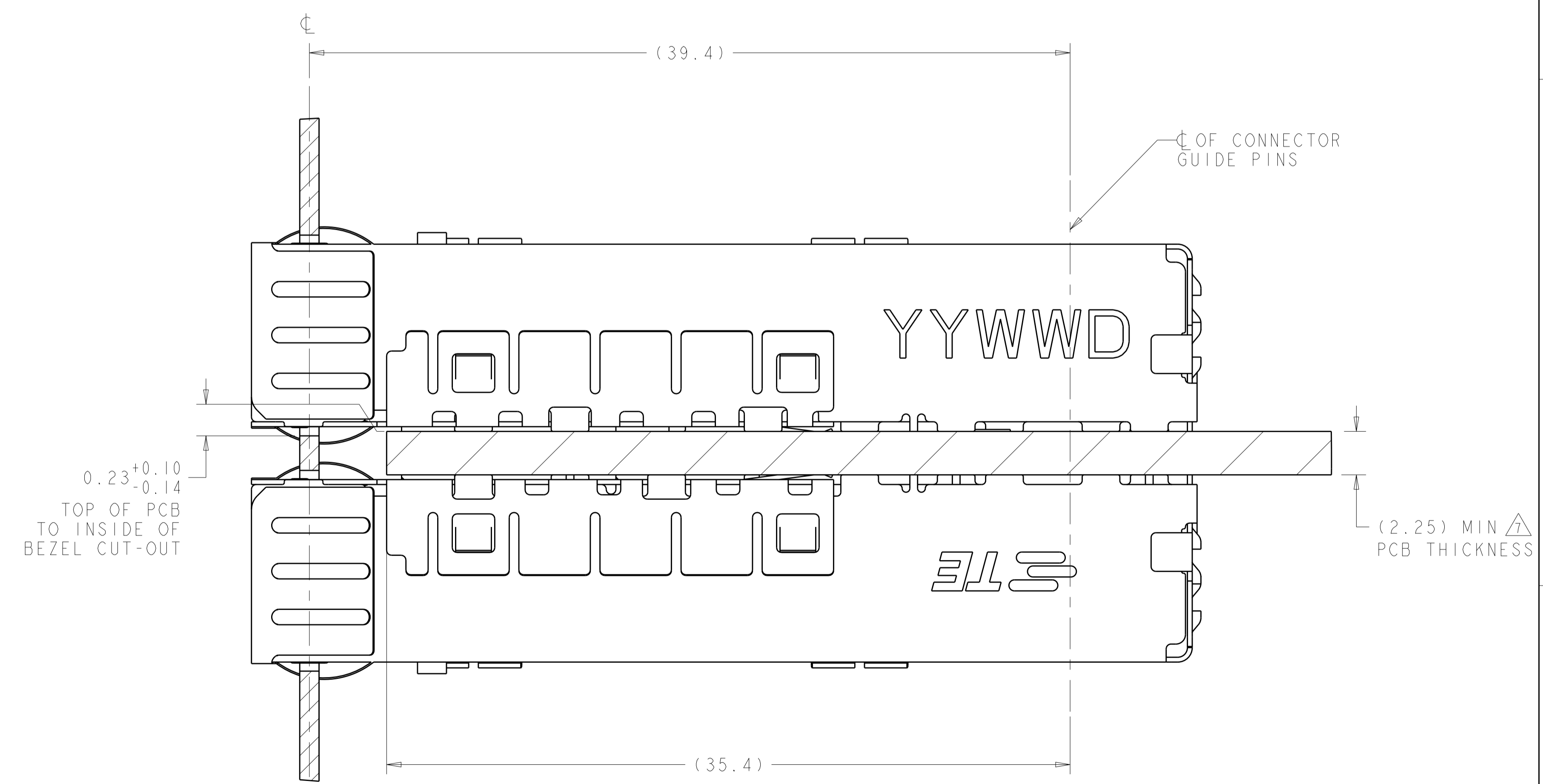
RECOMMENDED BEZEL CUT-OUT
 SINGLE SIDED APPLICATIONS
 SCALE 4:1



RECOMMENDED BEZEL CUT-OUT
 BELLY TO BELLY APPLICATIONS



2180739-1
 MOUNTED ON PC BOARD
 SHOWN THRU RECOMMENDED BEZEL

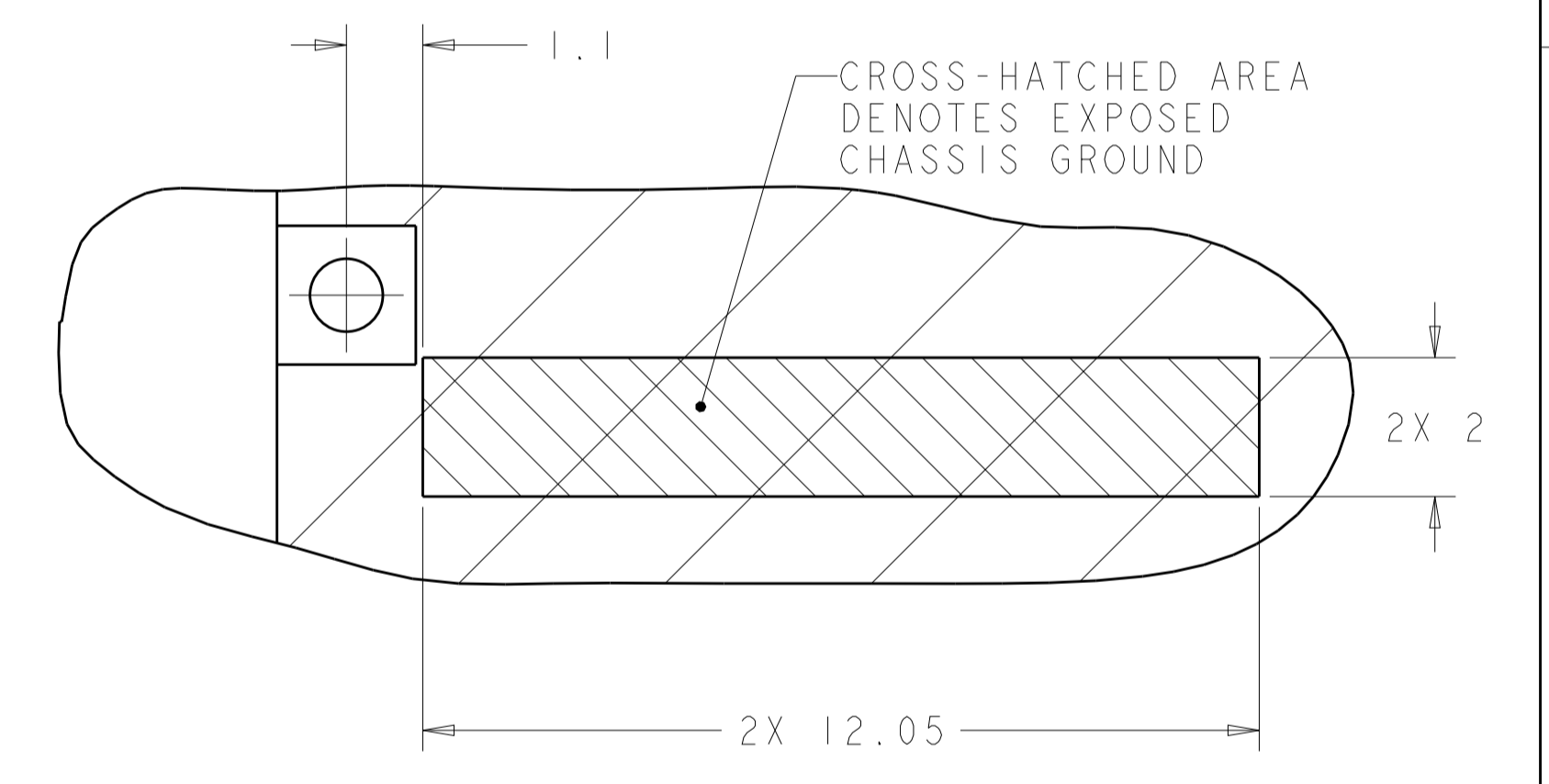
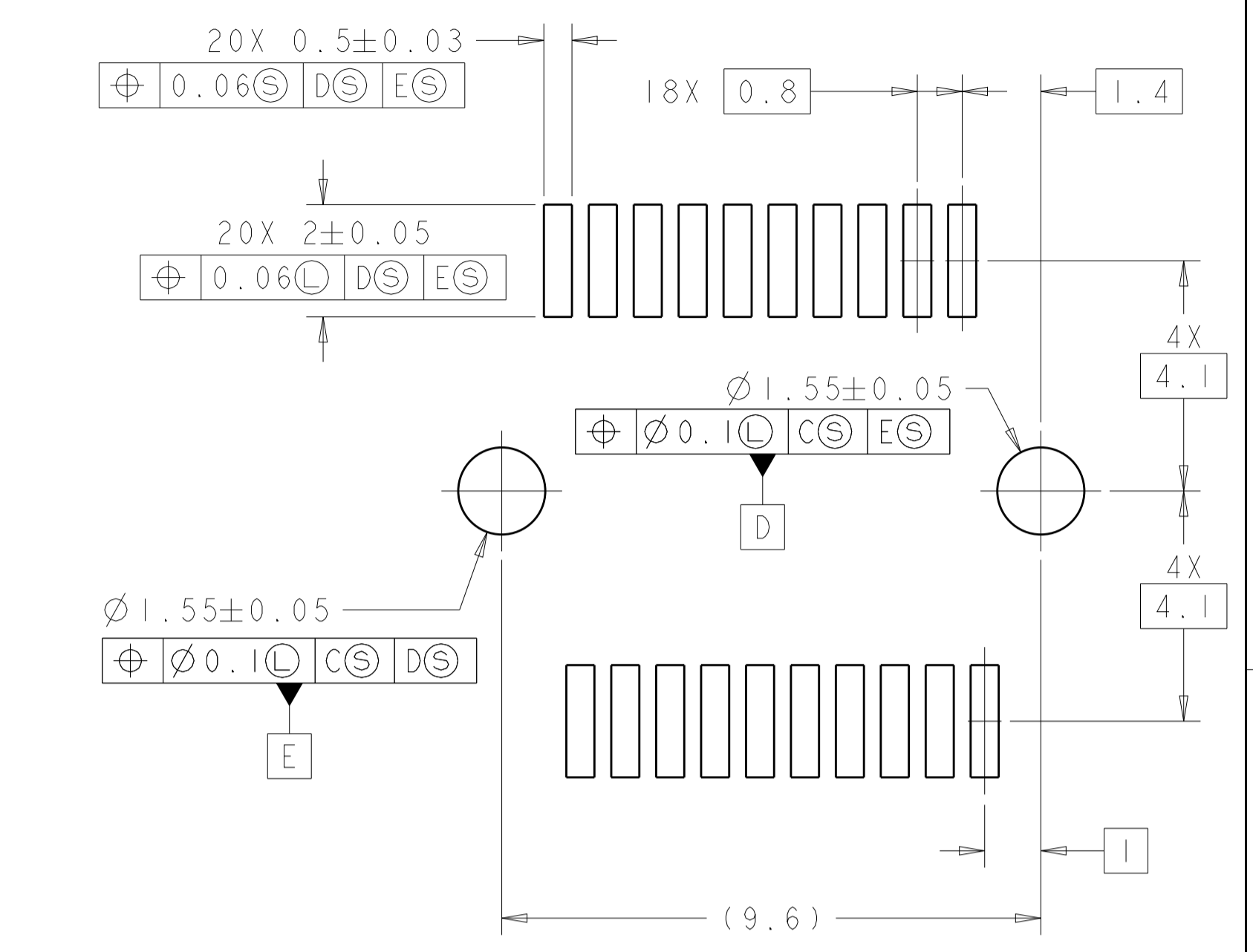
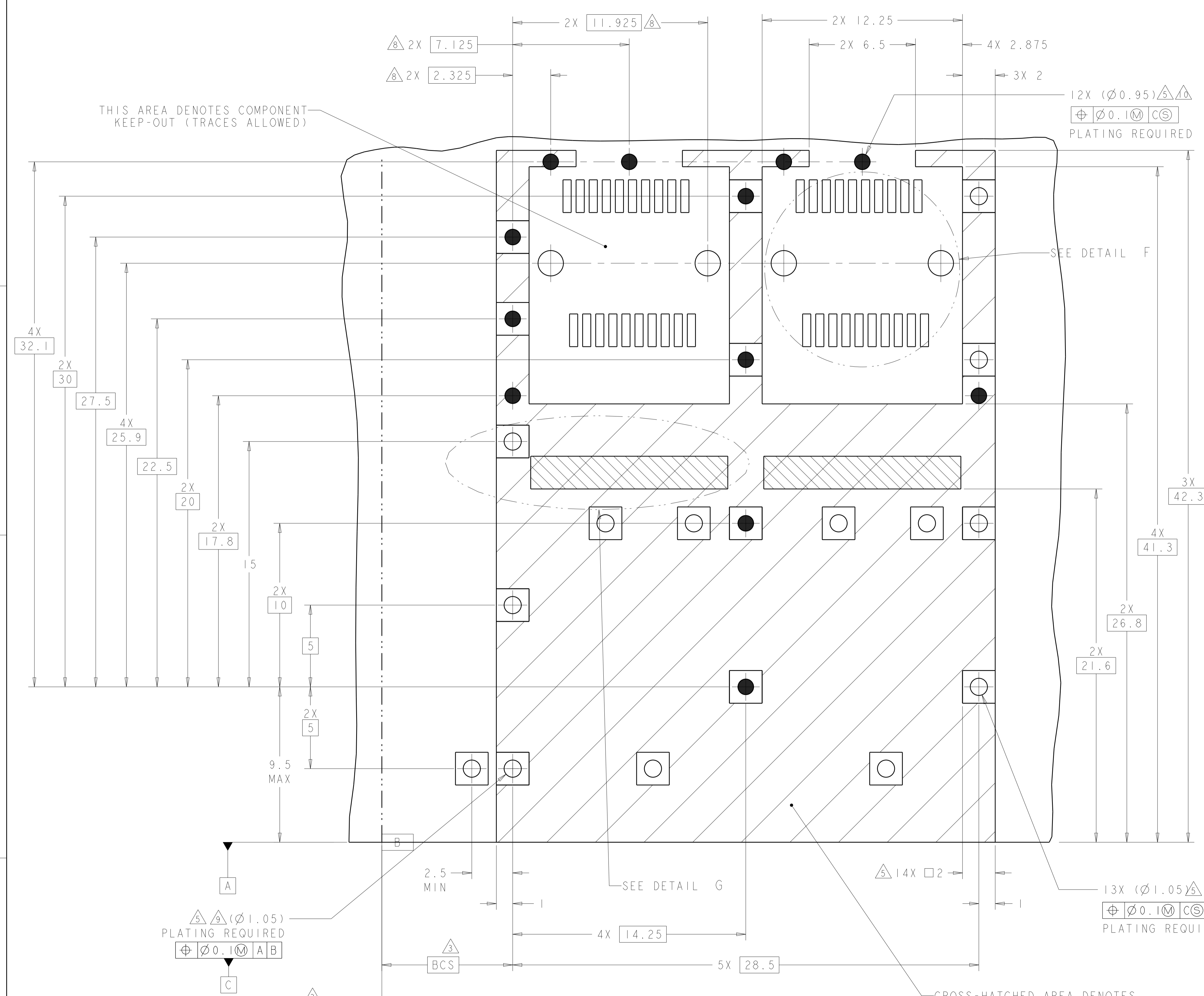


2180739-1
 MOUNTED BELLY TO BELLY ON PC BOARD
 SHOWN THRU RECOMMENDED BEZEL

THIS DRAWING IS A CONTROLLED DOCUMENT.		DMN B. MATTHEWS 24MAY2011	TE Connectivity	
DIMENSIONS:		CHK M. SCHMITT 24MAY2011	NAME SFP+ ENHANCED 1X2 CAGE ASSEMBLY, PRESS-FIT, EMI SPRINGS	
TOLERANCES UNLESS OTHERWISE SPECIFIED:		APVD M. SCHMITT 24MAY2011	PRODUCT SPEC	
mm		108-2364	APPLICATION SPEC	
0 PLC	±0.13	114-13120	RESTRICTED TO	
1 PLC	±0.1	WEIGHT	A100779C=2180739	
2 PLC	±0.08	Customer Drawing	SCALE 6:1 SHEET 2 OF 4 REV A2	
3 PLC	±0.05			
4 PLC	±0.05			
ANGLES	±0.5			
FINISH	±1			

LOC	DIST	REV	DATE	BY	APPV
GP	00				

REVISIONS		
REV	DESCRIPTION	DATE
-	SEE SHEET 1	-



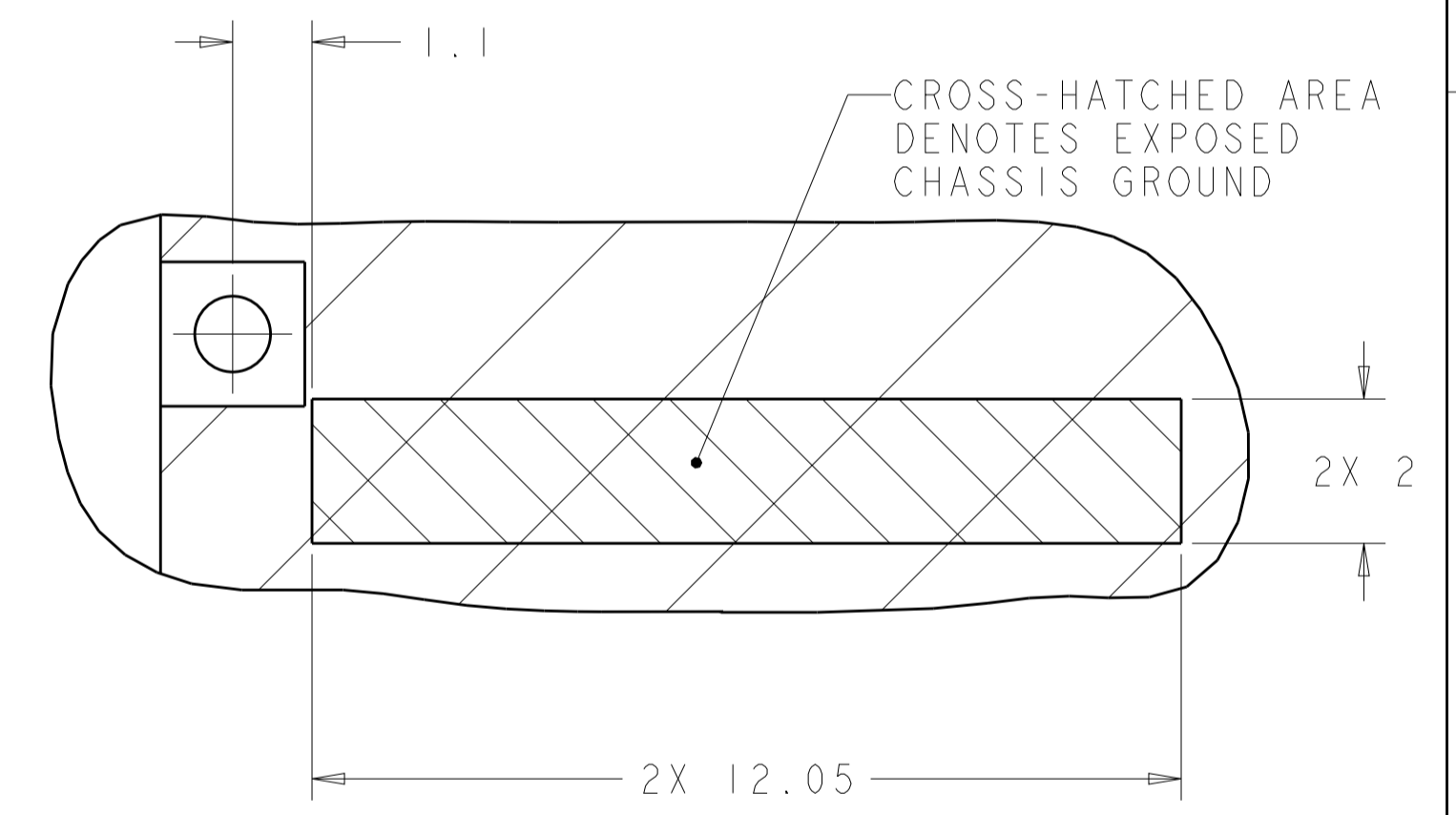
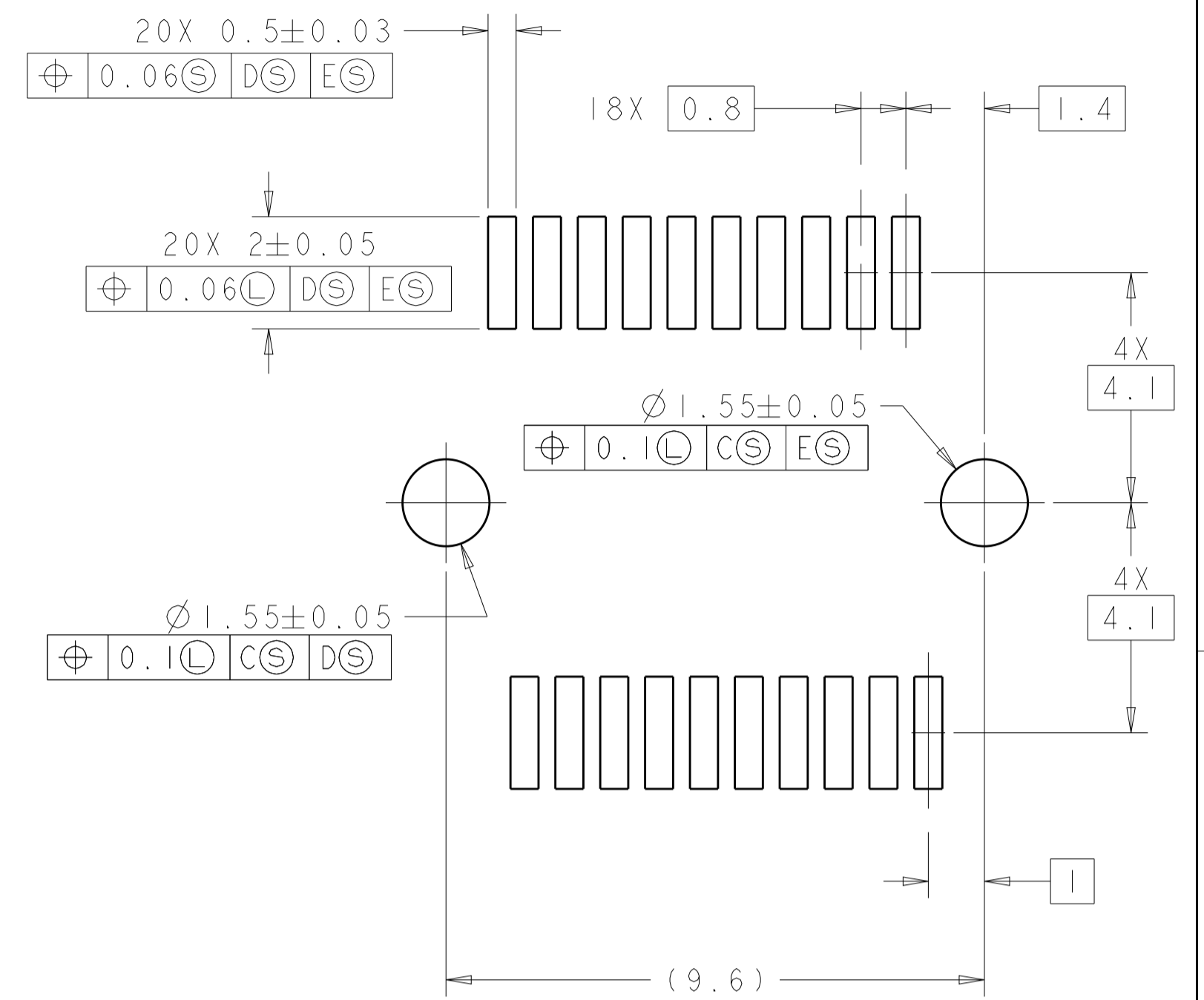
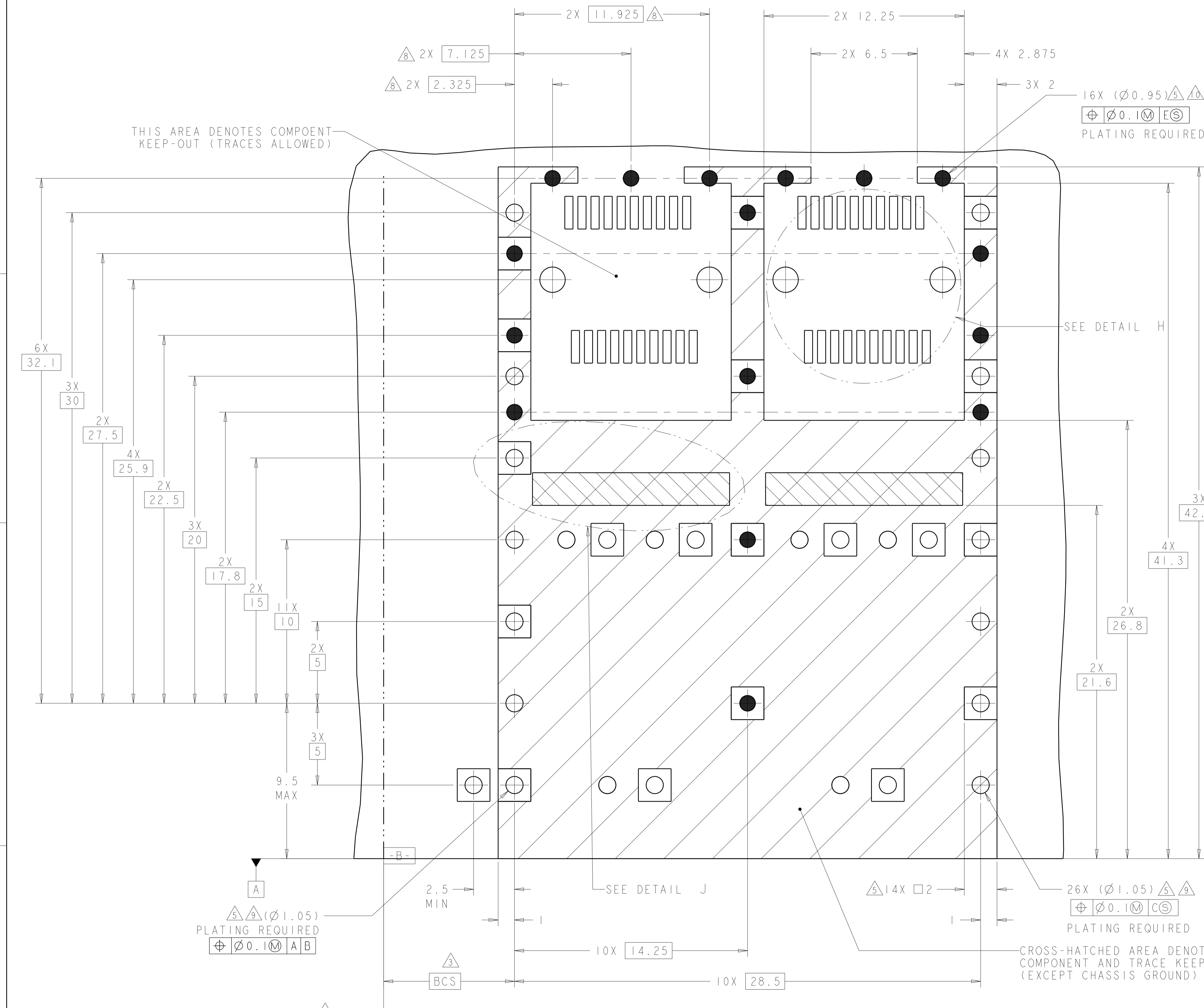
(Ø1.05)
PLATING REQUIRED
A B C

RECOMMENDED PCB CONFIGURATION
WITH KEEP-OUT AREAS
SINGLE SIDED APPLICATIONS
SCALE 8:1

CROSS-HATCHED AREA DENOTES
COMPONENT AND TRACE KEEP-OUT
(EXCEPT CHASSIS GROUND)

THIS DRAWING IS A CONTROLLED DOCUMENT.		DWN: B. MATTHEWS 24MAY2011		TE Connectivity	
DIMENSIONS: mm		CHK: M. SCHMITT 24MAY2011		NAME: SFP+ ENHANCED 1X2 CAGE ASSEMBLY, PRESS-FIT, EMI SPRINGS	
TOLERANCES UNLESS OTHERWISE SPECIFIED:		APV: M. SCHMITT 24MAY2011		PRODUCT SPEC: 108-2364	RESTRICTED TO:
0 PLC ±0.13 1 PLC ±0.1 2 PLC ±0.08 3 PLC ±0.05 4 PLC ±0.05 ANGLES ±0.5				APPLICATION SPEC: 114-13120	SCALE: 6:1
MATERIAL: FINISH: #1		WEIGHT: -	SIZE: A100779	SHEET 3 OF 4	
Customer Drawing		SCALE 6:1 SHEET 3 OF 4 REV A2			

LOC		DIST		REVISIONS				
GP	00	P	LTN	DESCRIPTION	DATE	DWN	APVD	
-	-	-	-	SEE SHEET 1	-	-	-	



RECOMMENDED PCB CONFIGURATION
 WITH KEEP-OUT AREAS
 BELLY TO BELLY APPLICATIONS
 SCALE 8:1

DIMENSIONS:		TOLERANCES UNLESS OTHERWISE SPECIFIED:		MATERIAL:		FINISH:	
mm	0 PLC	±0.13					
	1 PLC	±0.1					
	2 PLC	±0.08					
	3 PLC	±0.05					
	4 PLC	±0.05					
	ANGLES	±0.5					

THIS DRAWING IS A CONTROLLED DOCUMENT.	DWN: B. MATTHEWS 24MAY2011	TE Connectivity SFP+ ENHANCED 1X2 CAGE ASSEMBLY, PRESS-FIT, EMI SPRINGS
	CHK: M. SCHMITT 24MAY2011	
	APVD: M. SCHMITT 24MAY2011	
	PRODUCT SPEC	
	108-2364	
	APPLICATION SPEC	SIZE: CAGE CODE DRAWING NO: RESTRICTED TO
	114-13120	A100779C=2180739
	WEIGHT	SCALE 6:1 SHEET 4 OF 4 REV A2
	Customer Drawing	

单击下面可查看定价，库存，交付和生命周期等信息

[>>TE Connectivity\(泰科\)](#)