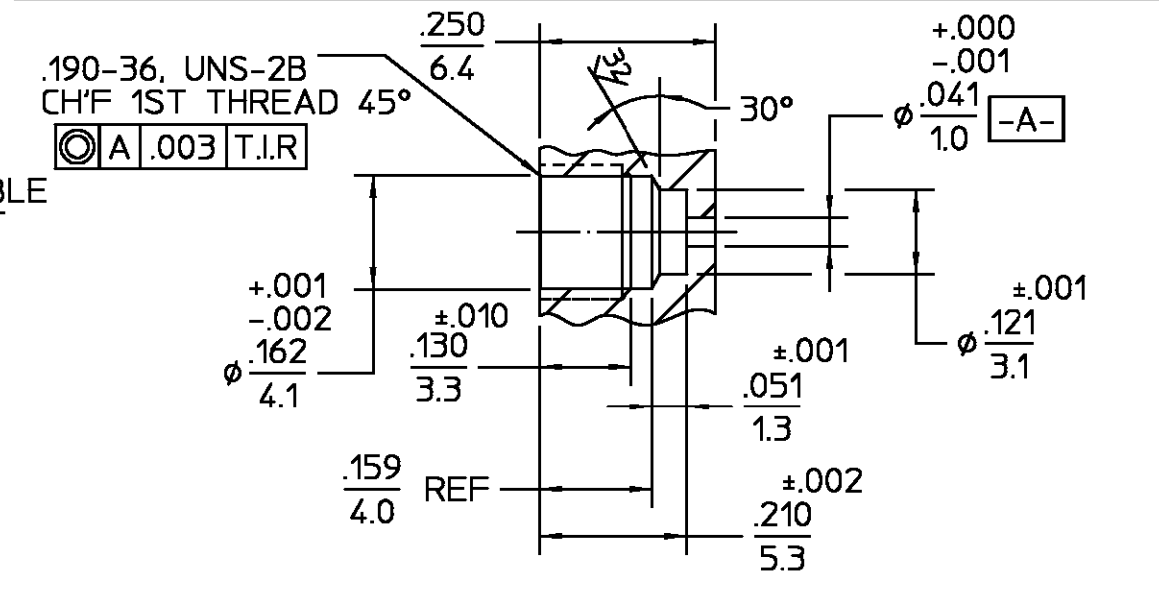


REVISIONS			
REV	DESCRIPTION	DATE	APPROVED
01	REDRAWN ON CAD PER ECN 99-0001	DM 5-7-99	C. Hoang 12JUN01



ELECTRICAL	MECHANICAL	ENVIRONMENTAL
Nominal Impedance (Ohms) <u>50</u>	Interface Dimensions PER <u>A001</u>	Temperature Rating <u>-65° TO +125°C</u>
Frequency Range (GHz) DC to <u>18.0</u>	<u>M/A-COM CATALOG</u>	Vibration MIL-STD-202, Method 204, Condition D
Volt Rating (VRMS MAX) @ Sea Level <u>335</u>	Recommended Mating Torque <u>12-15 IN-LBS</u>	Shock MIL-STD-202, Method 213, Condition I
VSWR <u>1.06 + .01f(GHz)</u>	Force to Engage and Disengage (In-Lbs MAX) <u>3.0</u>	Thermal Shock MIL-STD-202, Method 107, Condition B, Except High Temp +125°C
Insertion Loss (dB MAX) <u>.05 √f(GHz)</u>		Moisture Resistance MIL-STD-202, Method 106
RF Leakage (dB MIN) <u>-(85-f(GHz))</u>		Corrosion - MIL-STD-202, Method 101, Condition B, 5% salt spray
Corona, 70,000 Ft (VRMS MIN) <u>N/A</u>		
Dielectric Withstanding Voltage (VRMS MIN) @ Sea Level <u>750</u>		
Contact Resistance (Milliohms MAX) Center Contact <u>10.0</u>		
Outer Contact <u>2.0</u>		
Cable to Housing <u>N/A</u>		
RF High Potential @ Sea Level (VRMS MIN @ 5 MHz) <u>667</u>		
IR.(Megohms MIN) <u>5,000</u>		

COMPONENT	MATERIAL	FINISH
HOUSING	STAINLESS STEEL PER ASTM-A484 AND ASTM-A582, TYPE 303	GOLD PLATE PER MIL-G-45204
DIELECTRIC	PTFE FLUOROCARBON PER ASTM-D-1457	N/A
CENTER CONTACT	BRASS PER ASTM-B-16, HALF HARD	GOLD PLATE PER MIL-G-45204
CONTACT EXT	IRON-NICKEL-COBALT ALLOY PER MIL-I-23011 CLASS 1 (KOVAR)	GOLD PLATE PER MIL-G-45204
GASKET	SOFT COPPER, ALLOY 110 PER ASTM-B-152 OR ASTM-B-370, OR EQUIVALENT	GOLD PLATE PER MIL-G-45202
HERMETIC SEAL	GLASS BEAD	N/A
'O' RING	FLUOROSILICONE 60 (DUROMETER) PER MIL-R-25988, CLASS 1, TYPE 1	N/A

UNLESS OTHERWISE SPECIFIED DIMENSIONS ARE IN INCHES		DRAWN BY <u>KM</u> DATE <u>2-8-88</u>		 AMP Incorporated 140 Fourth Avenue Waltham, MA 02451-7599
FRAC. ± 1/64	DEC. ± .005	CHECKED BY <u>MH/M</u>	DATE <u>4-7-88</u>	
ANGLES ± 1°		APP'D BY <u>DC</u>	DATE <u>4-7-88</u>	
These drawings and specifications are the property of AMP Interconnect Div. and shall not be reproduced or copied or used in whole or in part as the basis for the manufacture or sale of item(s) without written permission.		USE ASSY PROCEDURE	TITLE <u>OSSP HERMETICALLY SEALED PANEL FEEDTHRU JACK RECEPTACLE STRAIGHT TERMINAL</u>	
NO. A.P. <u>N/A</u>		SIZE <u>B</u>	CODE IDENT NO. <u>26805</u>	REV <u>01</u>
		SCALE <u>8:1</u>	SHEET 1 OF 1	

CUSTOMER DRAWING

AMP PART # 1059905-1
SHEET 1 OF 1 REV B
PER EC # OU20-0261-01

单击下面可查看定价，库存，交付和生命周期等信息

[>>TE Connectivity\(泰科\)](#)