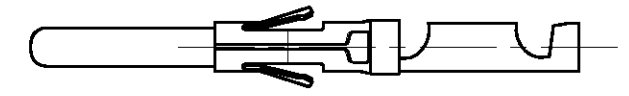
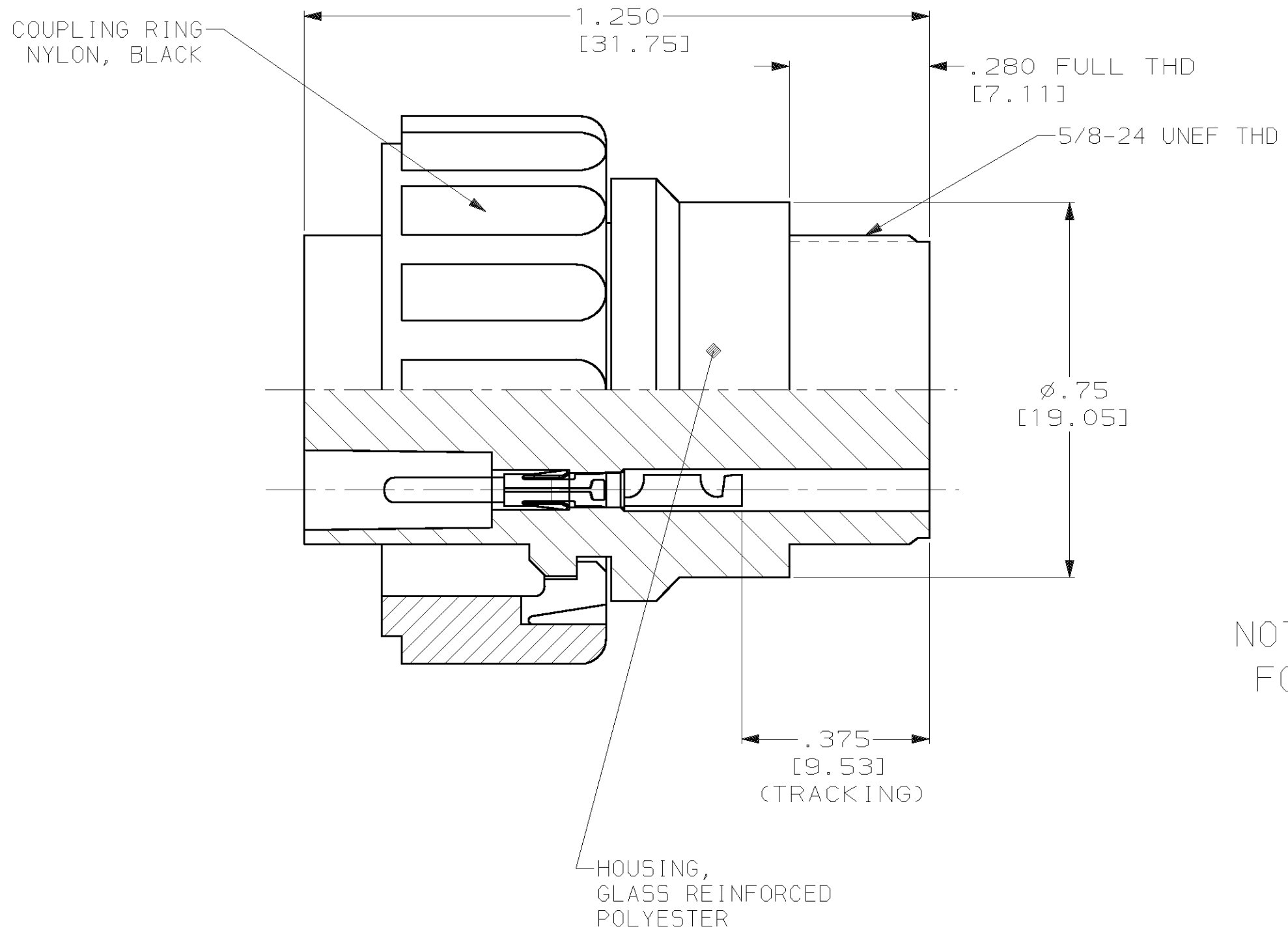
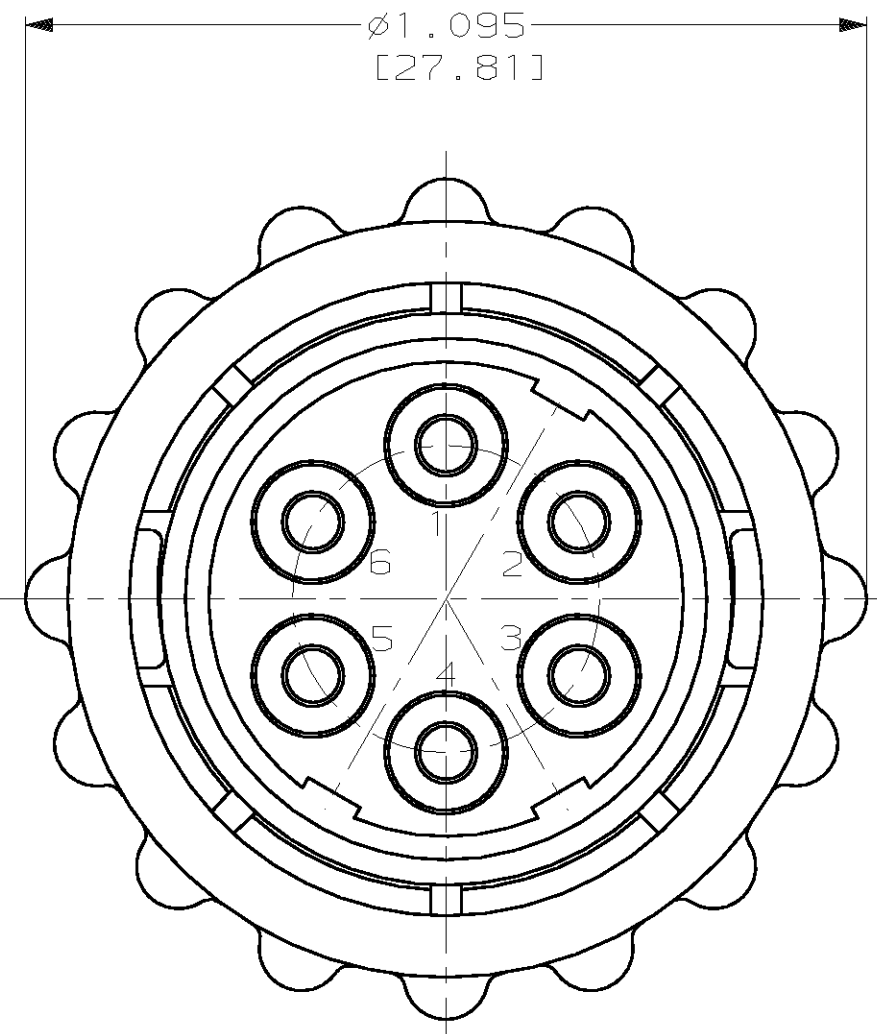


THIS DRAWING IS UNPUBLISHED. RELEASED FOR PUBLICATION
 BY AMP INCORPORATED. ALL RIGHTS RESERVED.

LOC		DIST		REVISIONS			
P	LTR	DESCRIPTION	DATE	DWN	APVD		
DF	50	B	REV PER 0600-7769-98	10-98	TT DE		
		C	REV PER 063D-0214-01	01/02	DBK DE		

- ① 6 PINS, TIN PLATED .00015 MIN. THK.
PART NUMBER 203816-5 (STRIP) OR 203816-6 (LOOSE PIECE).
PURCHASED SEPARATELY NOT SUPPLIED WITH PLUG KIT.
- 2. RECOMMENDED WIRE 20 - 24 AWG TEFLON COVERED
WIRE .065 DIAMETER MAX (10 KVDC).
GORE: F01A050, F01A060 (SUPPLIED BY CUSTOMER).
- 3. BACK END OF CONNECTOR SHOULD BE POTTED
OR PROTECTED AGAINST ARC_OVER OR BREAKDOWN
WHEN OPERATING ABOVE 5KVDC.



PIN TYPE (6) ①
NOT SUPPLIED WITH PLUG KIT
FOR WIRE RANGE 20-24 AWG

<small>THIS DRAWING IS A CONTROLLED DOCUMENT FOR AMP INCORPORATED. IT IS SUBJECT TO CHANGE AND THE CONTROLLING ENGINEERING ORGANIZATION SHOULD BE CONTACTED FOR THE LATEST REVISION.</small>		DWN T. THOMPSON 08-24-95 CHK C. SHELLY 08-25-95 APVD C. SHELLY 08-25-95	AMP AMP Incorporated Harrisburg, PA 17105-3608
DIMENSIONS: IN [mm]	TOLERANCES UNLESS OTHERWISE SPECIFIED: 0 PLC ±- 1 PLC ±-.03 [0.76] 2 PLC ±-.015 [0.38] 3 PLC ±- 4 PLC ±- ANGLES ±- FINISH -	PRODUCT SPEC - APPLICATION SPEC - WEIGHT -	6 POSITION PLUG KIT CPC STYLE LGH
MATERIAL -		CUSTOMER DRAWING	SIZE A2 CAGE CODE 00779 DRAWING NO. C=867534 SCALE 4:1 SHEET 1 OF 1 REV C

单击下面可查看定价，库存，交付和生命周期等信息

[>>TE Connectivity\(泰科\)](#)