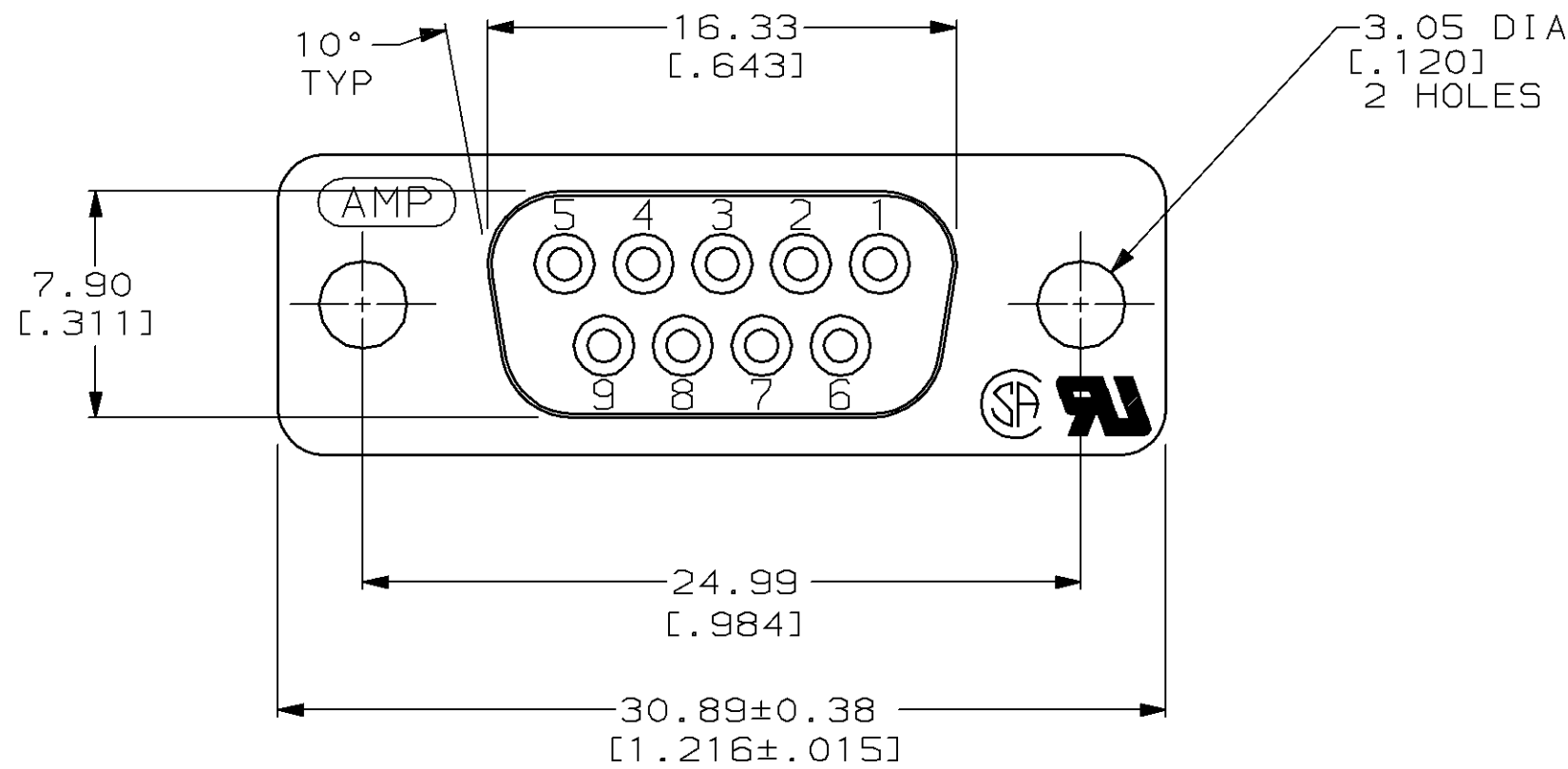
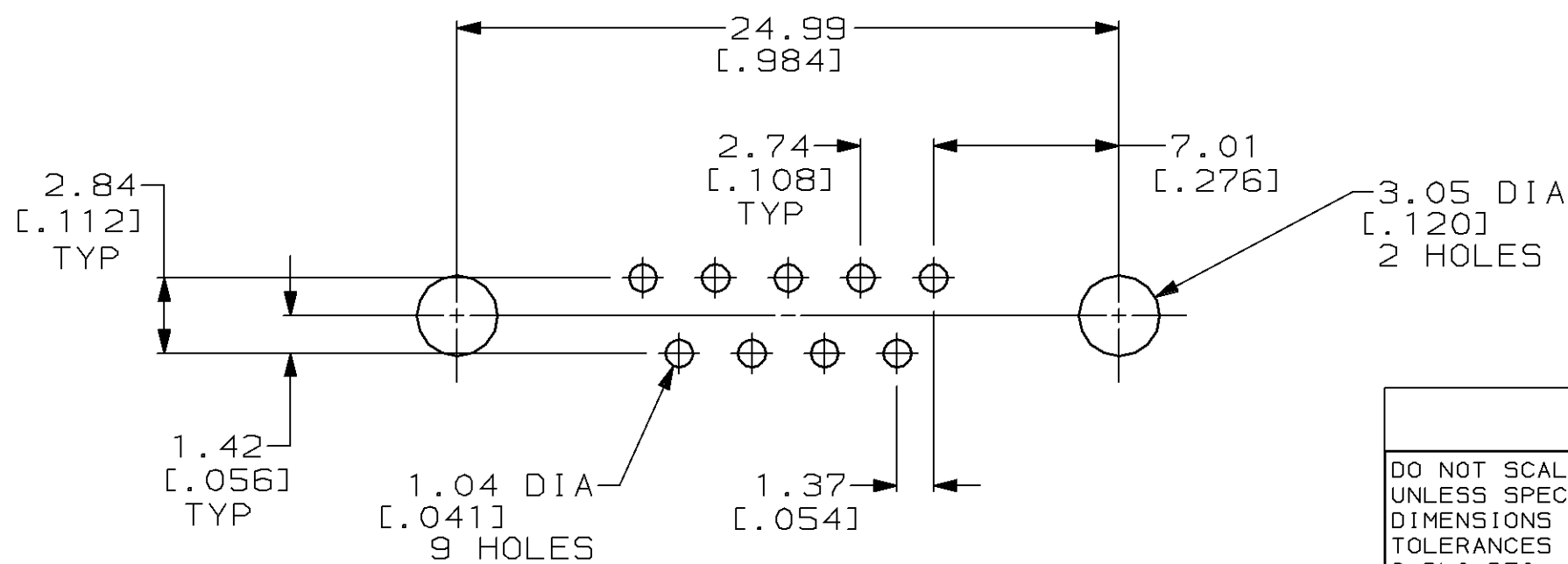
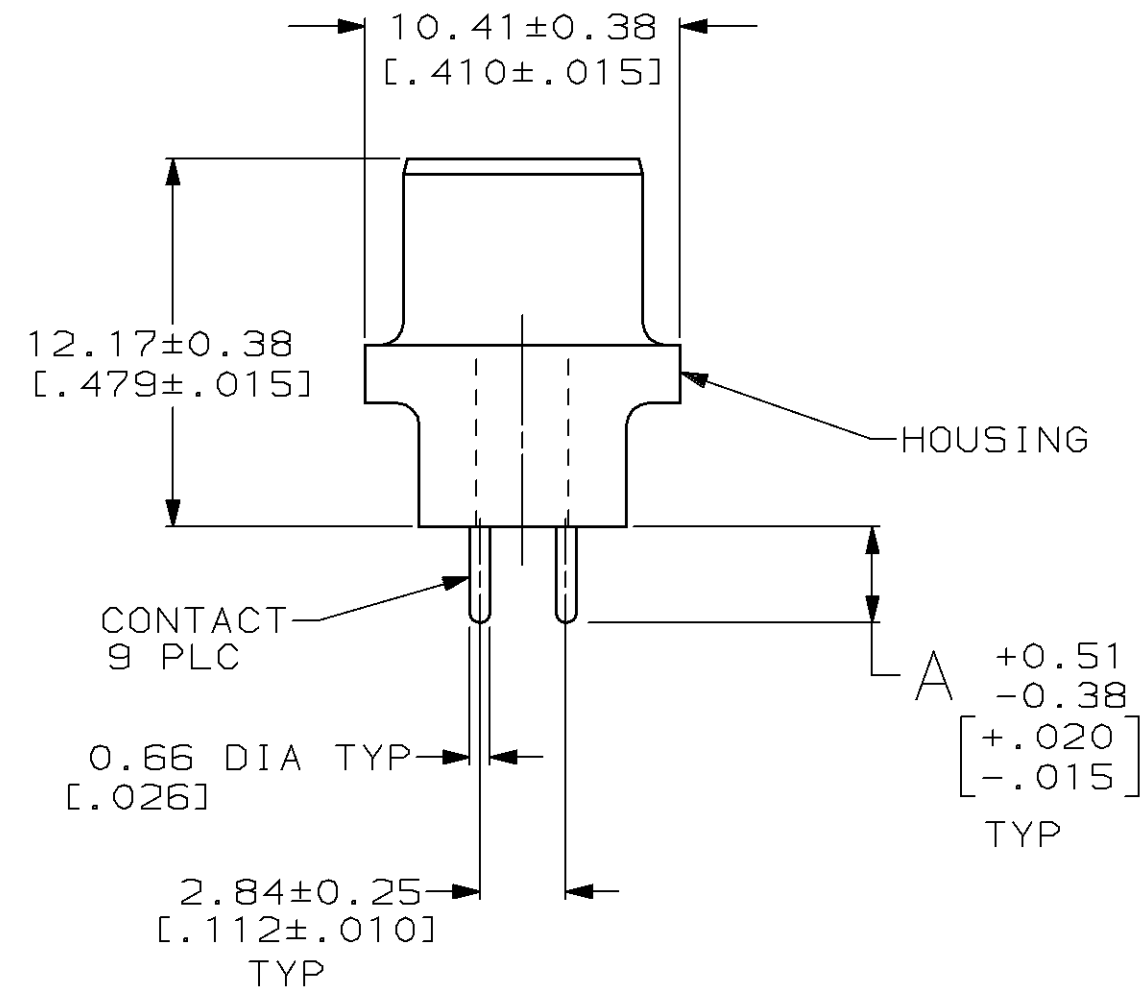
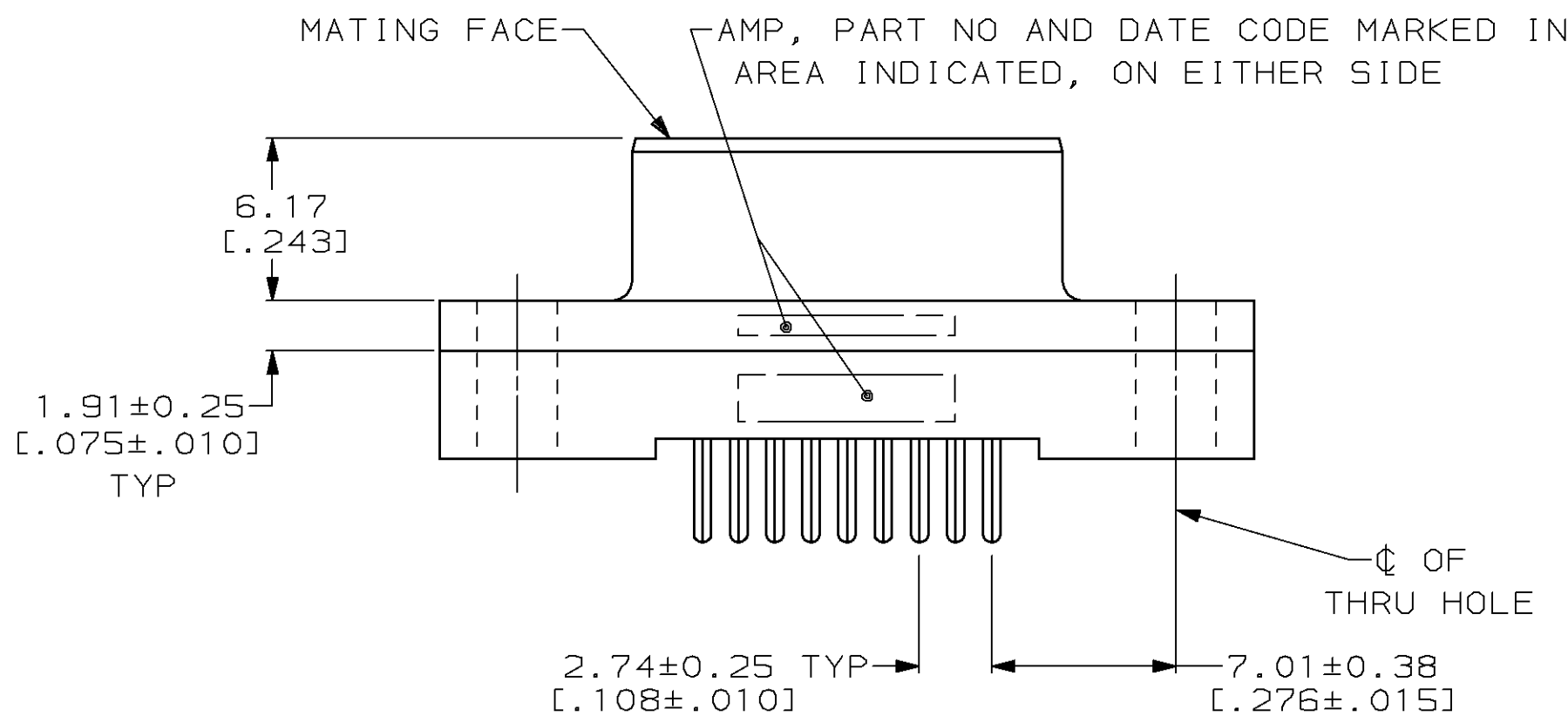


THIS DRAWING IS UNPUBLISHED. RELEASED FOR PUBLICATION ,19 .  
 © COPYRIGHT 19 BY AMP INCORPORATED. ALL INTERNATIONAL RIGHTS RESERVED.

LOC	DIST	P	F	ZONE	LTR	REVISIONS		
						DESCRIPTION	DATE	APPD
BD	77				D	REDRAWN & REVISED, ECN BD3361	11-89	SS
					E	OBS 207826-7, -8 BD6038	06/10/92	CR
					F	OBS -5, -6 PER EC 0020-964-93	04/05/94	CR



- ① HOUSING: BLACK POLYESTER, UL 94V-0 RATED; CONTACTS: PHOSPHOR BRONZE PER QQ-B-750.
- ② GOLD PLATING PER MIL-G-45204, TIN PLATING PER MIL-T-10727, NICKEL PLATING PER QQ-N-290.
- ③ GOLD FLASH FOR A LENGTH OF 2.54 [.100] MIN FROM MATING END, 2.54µm [.000100] MIN TIN OR TIN-LEAD FOR A LENGTH OF DIMENSION A FROM OPPOSITE END, ALL OVER 1.27µm [.000050] MIN NICKEL.
- ④ 0.76µm [.000030] MIN GOLD FOR A LENGTH OF 2.54 [.100] MIN FROM MATING END, 2.54µm [.000100] MIN TIN OR TIN-LEAD FOR A LENGTH OF DIMENSION A FROM OPPOSITE END, ALL OVER 1.27µm [.000050] MIN NICKEL.



OBSOLETE	6.35 [.250]	④	207826-8
OBSOLETE	6.35 [.250]	③	207826-7
OBSOLETE	4.32 [.170]	④	207826-6
OBSOLETE	4.32 [.170]	③	207826-5
	3.18 [.125]	④	207826-4
	3.18 [.125]	③	207826-3

DO NOT SCALE PRINT. UNLESS SPECIFIED DIMENSIONS IN mm [INCHES] TOLERANCES ON: 2 PLC DEC ± 0.13 [.005] 3 PLC DEC ± - ANGLES ± 2°	DR 11-16-89 J McCLINTON CHK 2-1-90 R.STONE APPD 2-2-90 S.SCHIEFFERLY APPD 2-2-90 C.ROHDE PRODUCT SPEC 108-40025	A	CONTACT FINISH	PART NO
MATERIAL	①	AMP INCORPORATED Harrisburg, Pa. 17105		
FINISH	②	NAME RECEPTACLE ASSEMBLY, SIZE 1, 9 POSN, VERTICAL, AMPLIMITE® HD-20		
CONTACT: SEE TABLE	APPLICATION SPEC -	SIZE C	CAGE CODE 00779	DRAWING NO 207826
	WEIGHT -	SCALE 4:1	SHEET 1 OF 1	

单击下面可查看定价，库存，交付和生命周期等信息

[>>TE Connectivity\(泰科\)](#)