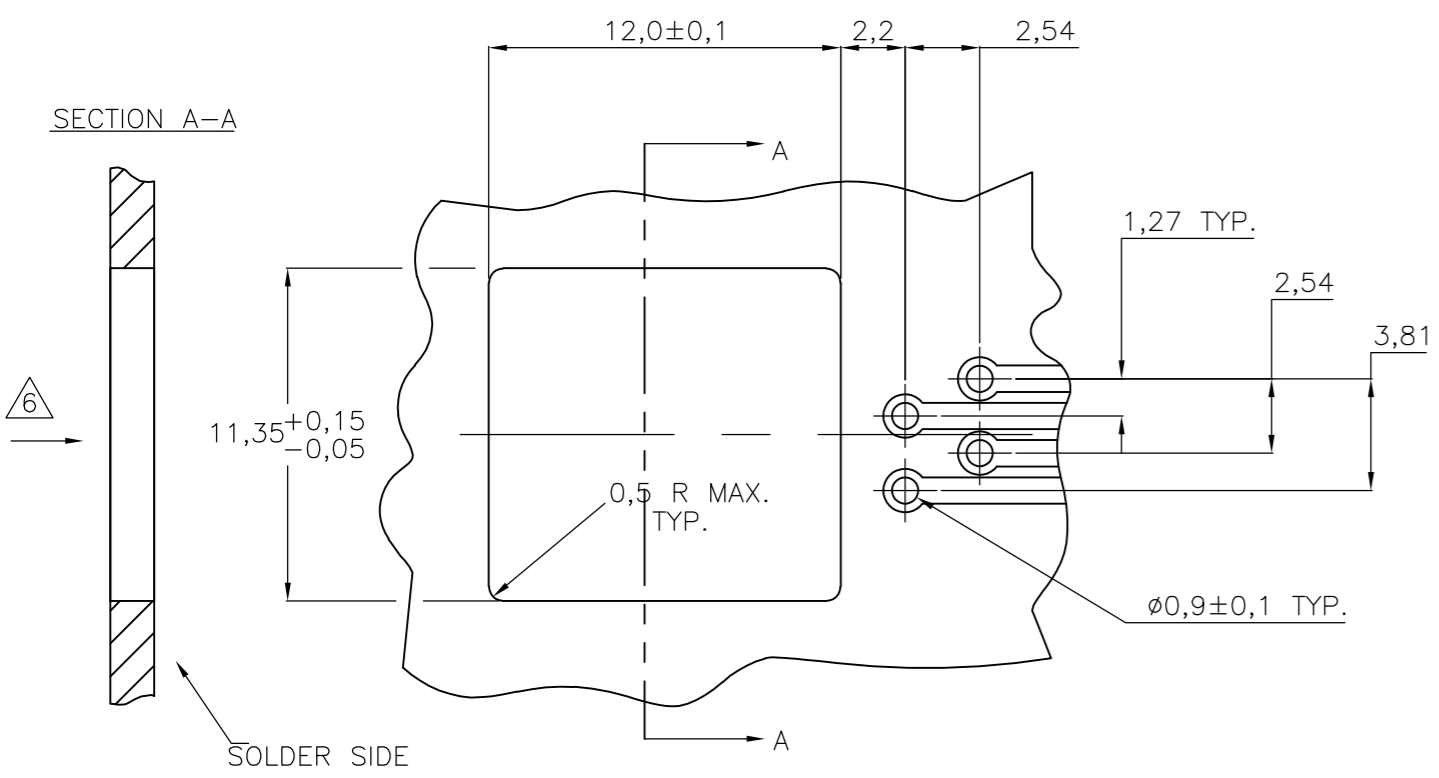
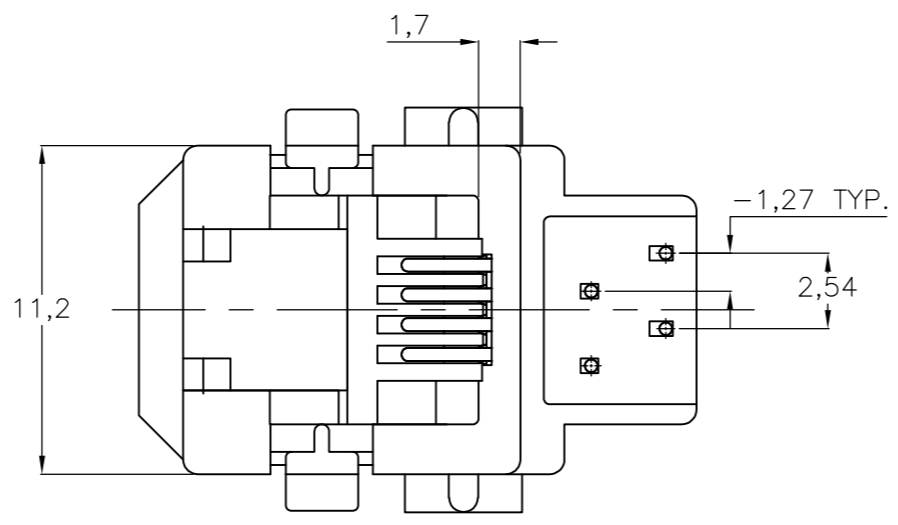
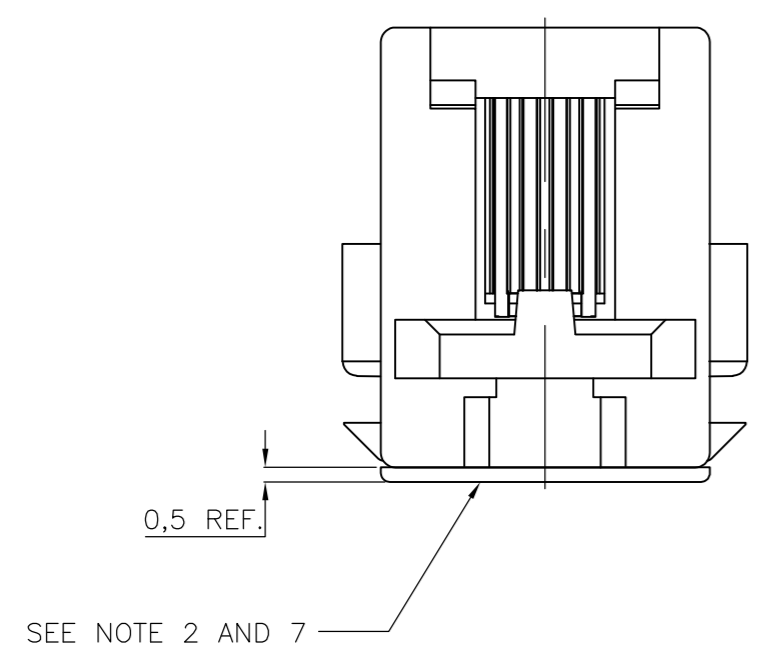
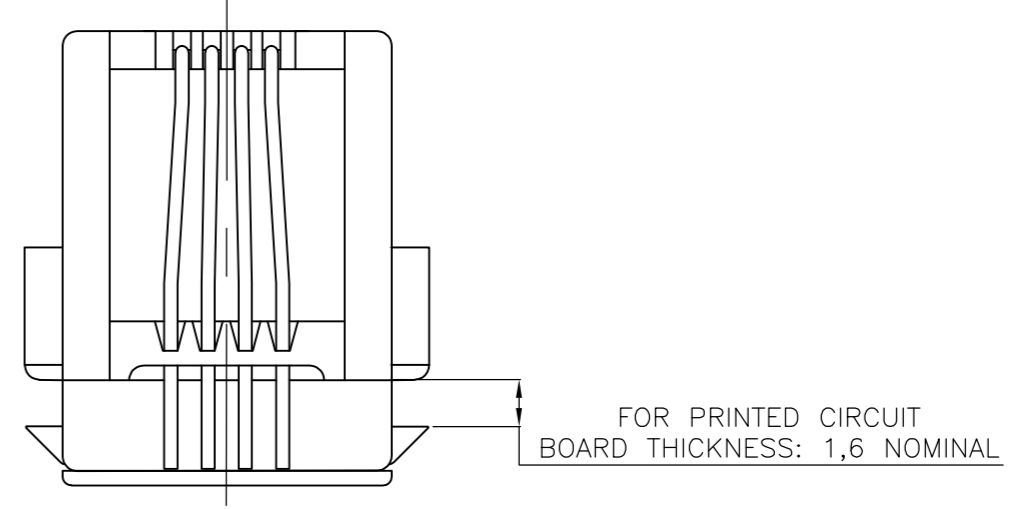
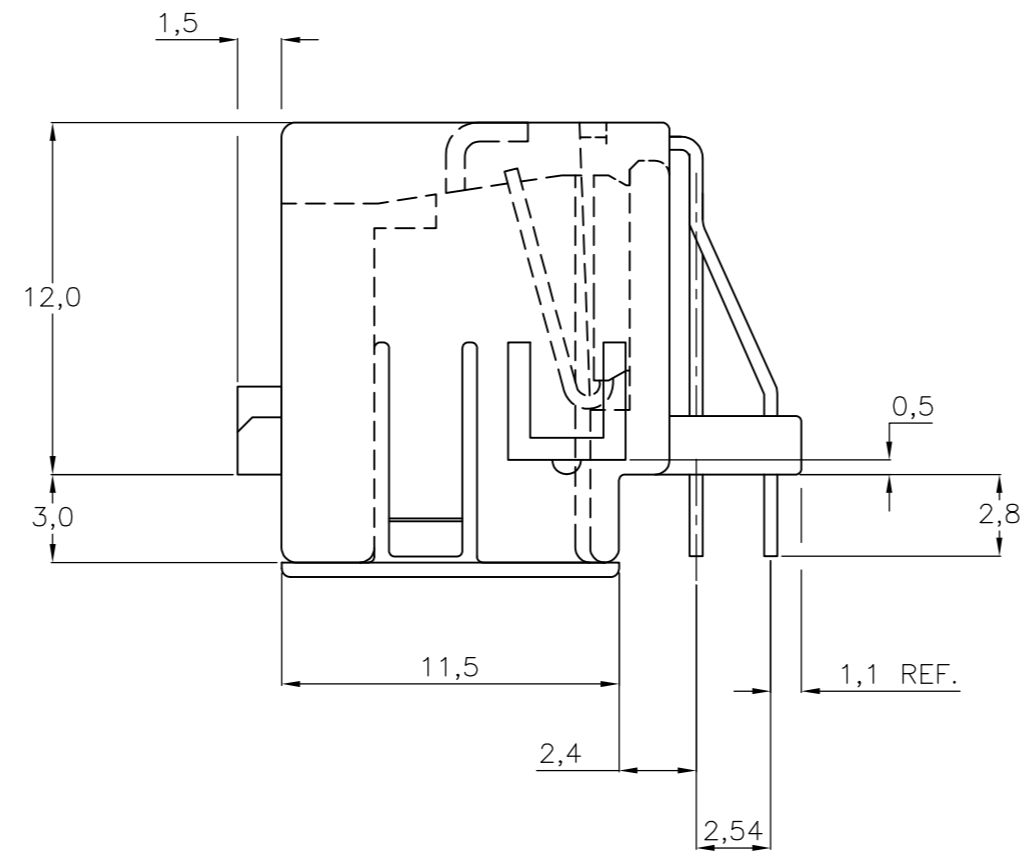
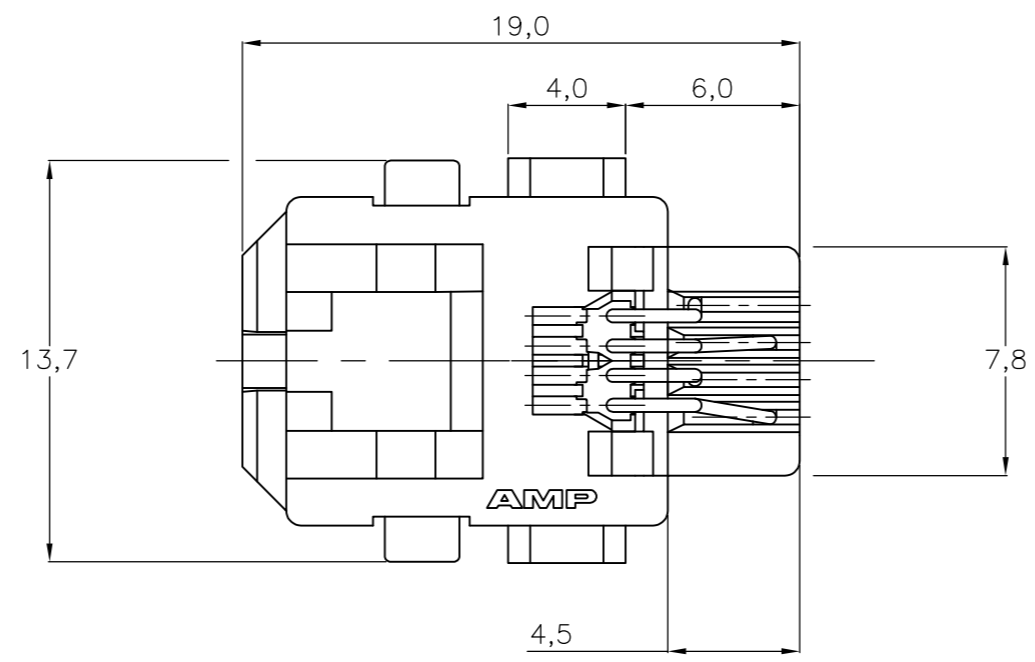


THIS DRAWING IS UNPUBLISHED. RELEASED FOR PUBLICATION
 © COPYRIGHT BY ALL RIGHTS RESERVED.

LOC		DIST		REVISIONS			
P	LTR	DESCRIPTION	DATE	DWN	APVD		
	P2	9-216444-9 IS MADE FINISHED PRODUCT	13SEP2011	PS	RRP		

NOTES:

1. TOLERANCES UNLESS OTHERWISE SPECIFIED: ±0,15.
2. MODULAR JACK P.N. 216444-1, 216444-2, 3-216444-1, 4-216444-1 ARE DELIVERED WITH PLASTIC SOLDER STOP INSTALLED, TO PREVENT SOLDER ENTERING THE JACK. REMOVE SOLDER STOP AFTER SOLDERING.
3. FOR PERFORMANCE REQUIREMENTS SEE TE PRODUCT SPECIFICATION 108-19064.
4. FOR APPLICATION REQUIREMENTS SEE TE APPLICATION SPECIFICATION 114-19019.
5. FOR PACKAGING SEE SHEET 2.
6. PREFERRED DIRECTION FOR STAMPING OF HOLE TO OBTAIN A BROKEN EDGE AT JACK ENTRY SIDE.
7. TRUE POSITIONING OF THE SOLDER TINES MAY BE AFFECTED BY BULK PACKAGING. THE SOLDER STOP COULD BE LOOSENED DURING TRANSPORT.
8. MODULAR JACK PN 9-216444-9 IS DELIVERED WITHOUT SOLDER STOP SO CUSTOMER HAS TO VERIFY THIS PART BEFORE CONSIDERING FOR MASS PRODUCTION.



PRINTED CIRCUIT BOARD LAYOUT
 TOLERANCES UNLESS OTHERWISE SPECIFIED: ±0,05

PACKAGING	REMARKS	FINISH	MATERIAL	PARTNUMBER
BULK PACKED 800PCS IN A BOX	4 POS. / 4 CONTACTS WITHOUT SOLDER STOP	1,25µm MIN. GOLD OVER	HOUSING: 20% G.F. NYLON COLOR: BLACK UL 94-HB CONTACTS: PHOS. BRONZE	9-216444-9
OBSOLETE 800pcs PER 60cm DIA REEL	4 POS. / 4 CONTACTS WITH SOLDER STOP PACKAGED 800 pcs. ON 60cm DIA REEL	1,25µm MIN. NICKEL IN CONTACT AREA.	HOUSING: 25% G.F. NYLON COLOR: BLACK UL 94V-0 CONTACTS: PHOS. BRONZE	216444-2
OBSOLETE BULK PACKED 500pcs. IN A BOX	4 POS. / 4 CONTACTS WITH SOLDER STOP BULK PACKAGED 500 pcs/BOX	1,25µm MIN. TIN-LEAD OVER 1,25µm MIN. NICKEL ON SOLDER TINES.	HOUSING: 20% G.F. NYLON COLOR: BLACK UL 94-HB CONTACTS: PHOS. BRONZE	4-216444-1
BULK PACKED 1000pcs. IN A BOX	4 POS. / 4 CONTACTS WITH SOLDER STOP BULK PACKAGED 1000 pcs/BOX			3-216444-1
800pcs PER 60cm DIA REEL	4 POS. / 4 CONTACTS WITH SOLDER STOP FOR PACKAGING SEE SHEET 2			216444-1

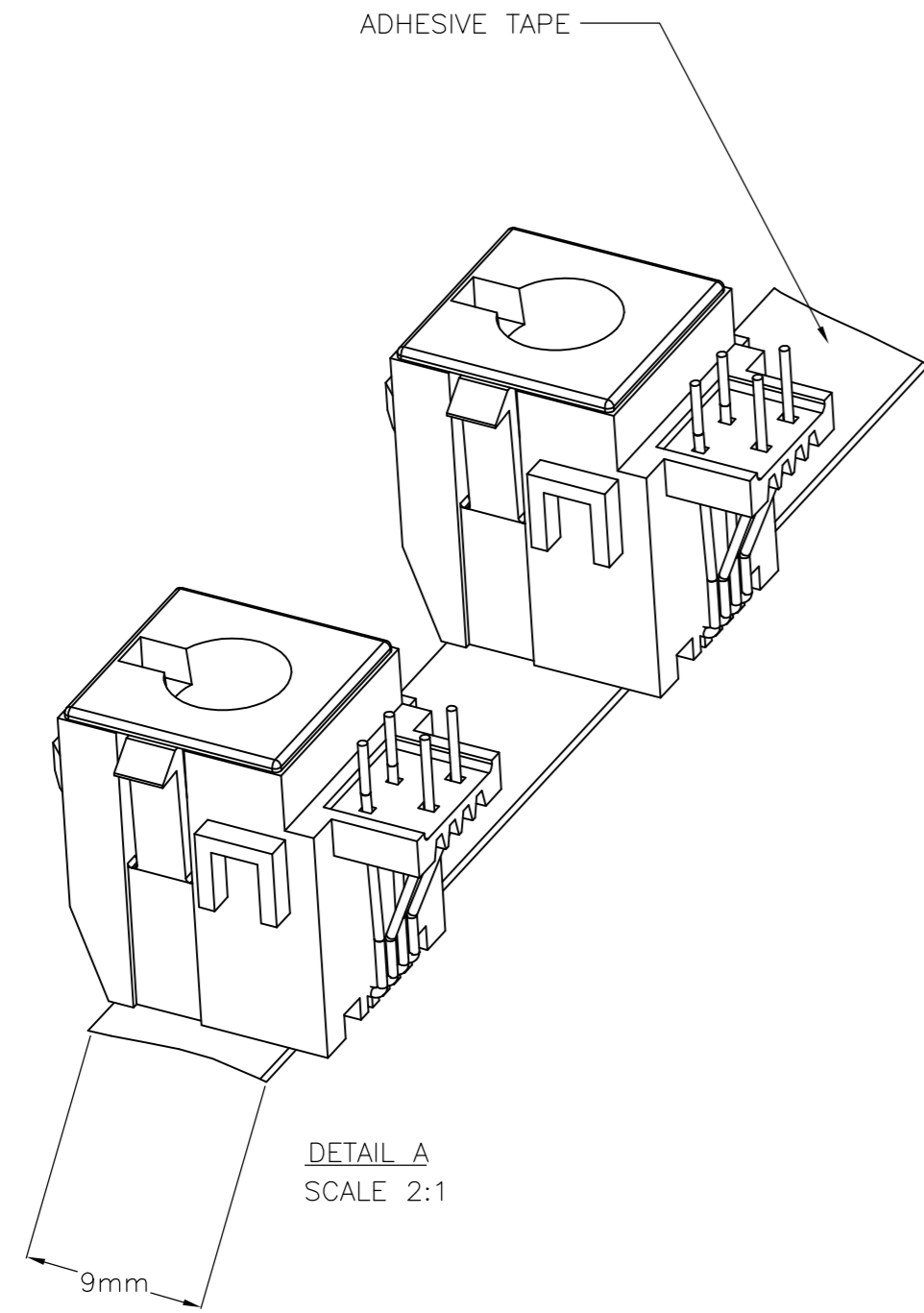
THIS DRAWING IS A CONTROLLED DOCUMENT. DWN: E.V.EIJK 17DEC96
 CHK: W. BRUMMANS
 APVD: R. SMEETS
 PRODUCT SPEC: -
 APPLICATION SPEC: -
 MATERIAL: - FINISH: - WEIGHT: -

TE TE Connectivity
 MODULAR JACK, 4 POS. BOTTOM ENTRY VERSION FOR PRINTED CIRCUIT BOARD MOUNTING

SIZE: A2 CAGE CODE: 00779 DRAWING NO: C-216444 RESTRICTED TO: -
 SCALE: NTS SHEET: 1 of 2 REV: P2

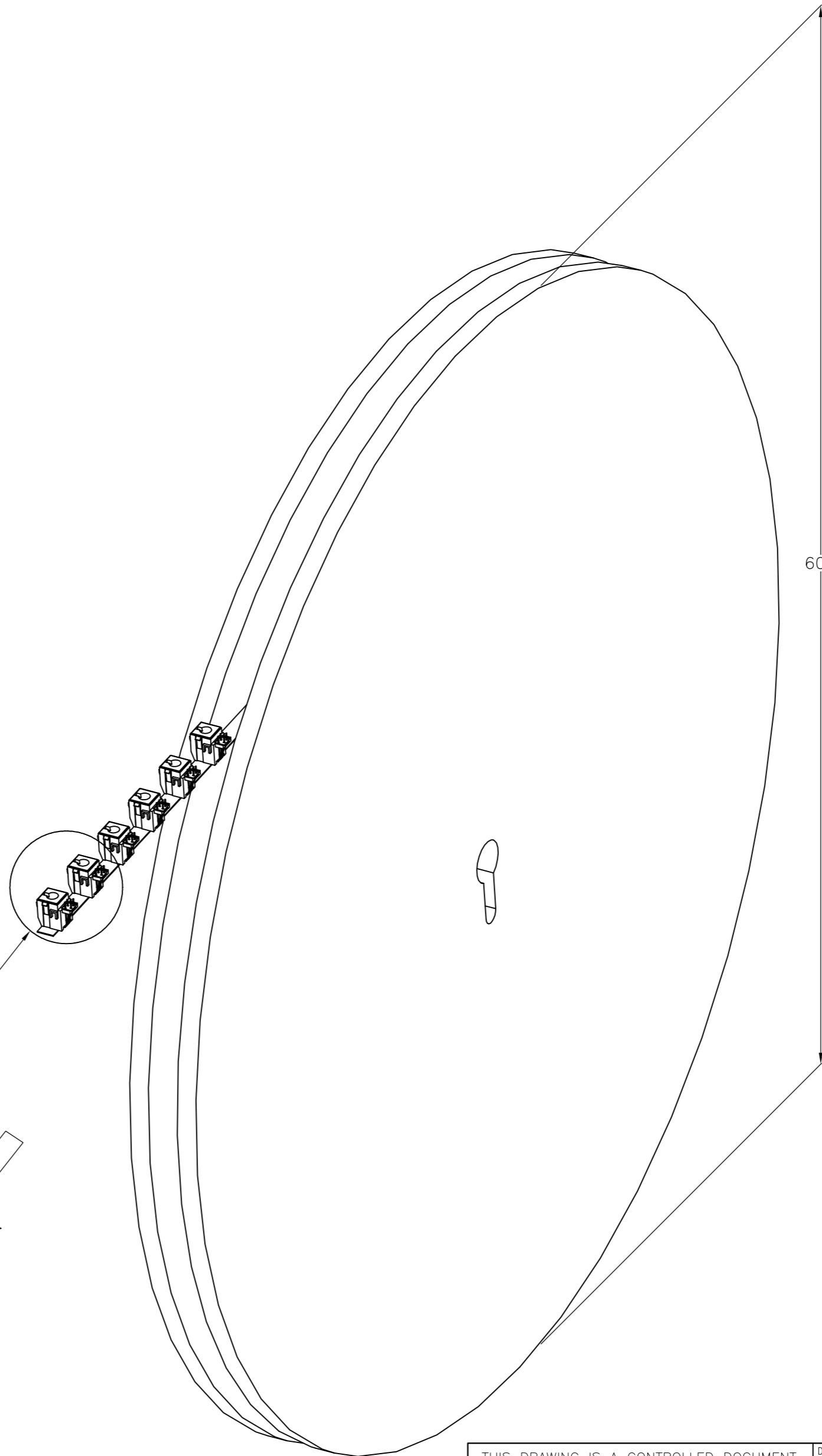
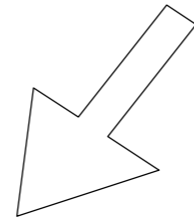
THIS DRAWING IS UNPUBLISHED. RELEASED FOR PUBLICATION
 © COPYRIGHT BY ALL RIGHTS RESERVED.

LOC		DIST		REVISIONS			
P	LTR	DESCRIPTION	DATE	DWN	APVD		
-	-	SEE SHEET 1	-	-	-		



SEE DETAIL-A

REEL-OFF DIRECTION



THIS DRAWING IS A CONTROLLED DOCUMENT.		DWN	17DEC96	TE TE Connectivity	
DIMENSIONS: mm		CHK	E.V.EIJK		
TOLERANCES UNLESS OTHERWISE SPECIFIED:		W. BRUMMANS		NAME 4 POS. BOTTOM ENTRY MODULAR JACK PACKAGING	
0 PLC ± -		APVD			
1 PLC ± -		R. SMEETS		SIZE	
2 PLC ± -		PRODUCT SPEC		CAGE CODE	
3 PLC ± -		APPLICATION SPEC		DRAWING NO	
4 PLC ± -		FINISH		RESTRICTED TO	
MATERIAL		WEIGHT		A2 00779 C=216444	
FINISH		CUSTOMER DRAWING		SCALE NTS SHEET 2 of 2 REV P2	

单击下面可查看定价，库存，交付和生命周期等信息

[>>TE Connectivity\(泰科\)](#)