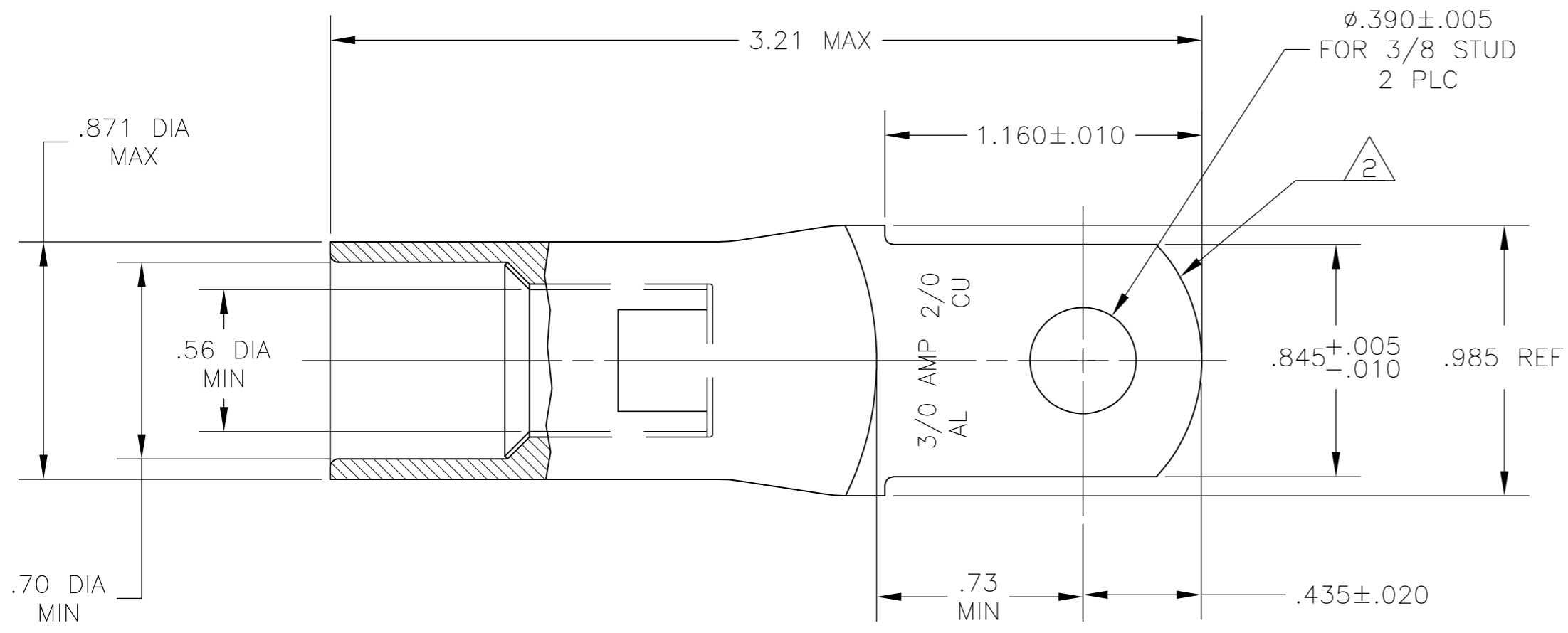
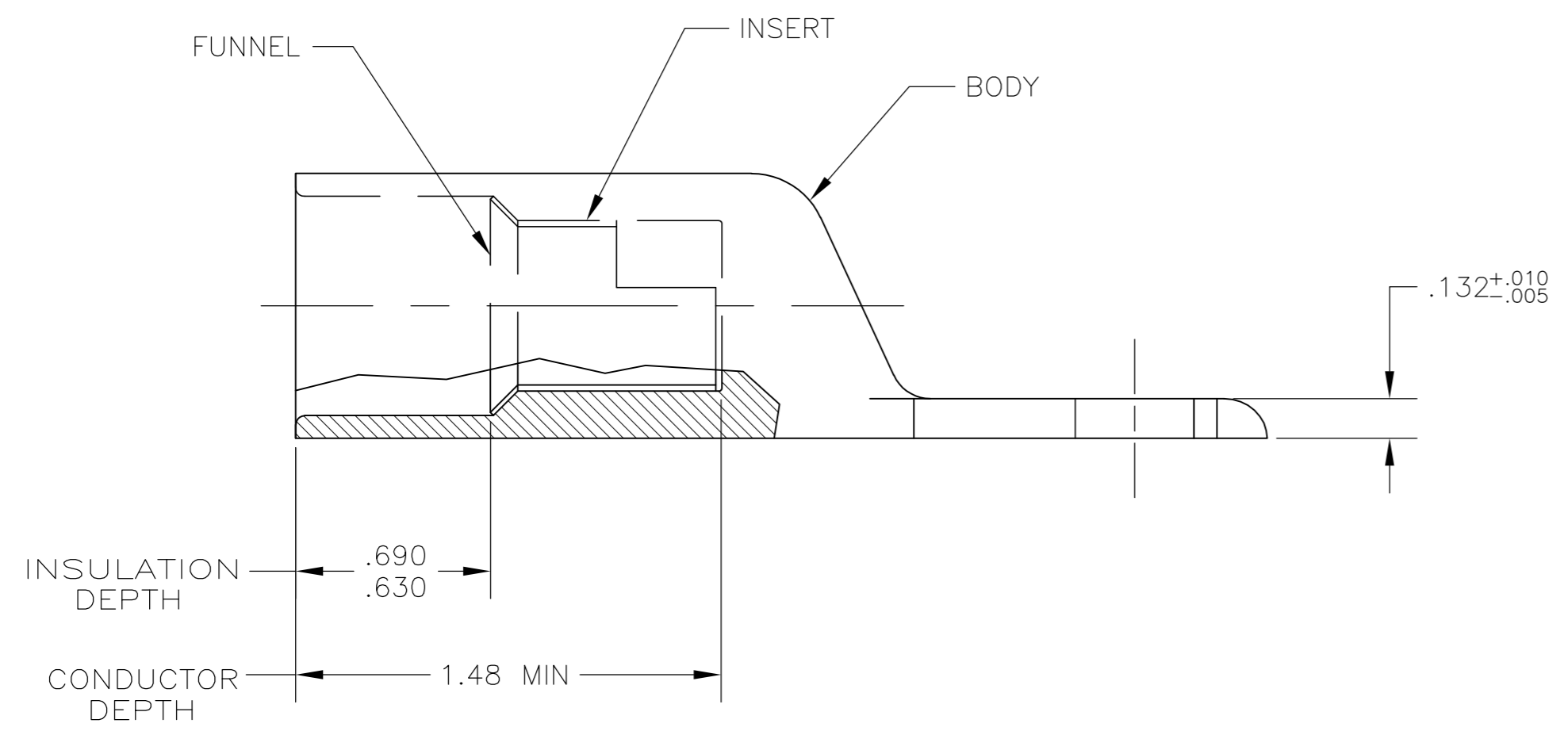


THIS DRAWING IS UNPUBLISHED. RELEASED FOR PUBLICATION  
 © COPYRIGHT - By - ALL RIGHTS RESERVED.

LOC		DIST		REVISIONS			
P	LTR	DESCRIPTION	DATE	DWN	APVD		
E		REVISED PER ECO-15-005109	27APR15	KG	PD		



1 WIRE INSULATION: .520-.645 DIA  
 2 THE TONGUE RADIUS FEATURE IS NOT A TOOLING CONTROLLED DIMENSION AND MAY NOT BE A TRUE RADIUS.



BODY: COPPER ASTM-B187 ANNEALED TIN PL PER ASTM B-545 .000150 MIN THK INSERT & FUNNEL: BRASS ASTM B36 NICKEL PL SAE AMS QQ-N-290A, DATED JULY 2000, .000100 MIN THK	696974-1
MATERIAL & FINISH	PART NO.

THIS DRAWING IS A CONTROLLED DOCUMENT.		DWN	JR RUTH	23MAY06		TE Connectivity												
DIMENSIONS: INCHES		CHK	MJ SPICER	23MAY06		NAME												
TOLERANCES UNLESS OTHERWISE SPECIFIED:		APVD	MJ SPICER	23MAY06		PRODUCT SPEC												
<table border="1"> <tr><td>0 PLC</td><td>± -</td></tr> <tr><td>1 PLC</td><td>± -</td></tr> <tr><td>2 PLC</td><td>± -</td></tr> <tr><td>3 PLC</td><td>± -</td></tr> <tr><td>4 PLC</td><td>± -</td></tr> <tr><td>ANGLES</td><td>± -</td></tr> </table>		0 PLC	± -	1 PLC		± -	2 PLC	± -	3 PLC	± -	4 PLC	± -	ANGLES	± -	APPLICATION SPEC		WIRE TERMINAL, RING, NARROW TONGUE, SEALED COPALUM, WIRE SIZE: 3/0 ALUMINUM, 2/0 COPPER	
0 PLC	± -																	
1 PLC	± -																	
2 PLC	± -																	
3 PLC	± -																	
4 PLC	± -																	
ANGLES	± -																	
MATERIAL	SEE TABLE	FINISH	SEE TABLE	WEIGHT	103 ± 5 GRAMS	A2	00779	C=696974	RESTRICTED TO	-								
CUSTOMER DRAWING				SCALE	2:1	SHEET	1 of 1	REV	E									

单击下面可查看定价，库存，交付和生命周期等信息

[>>TE Connectivity\(泰科\)](#)