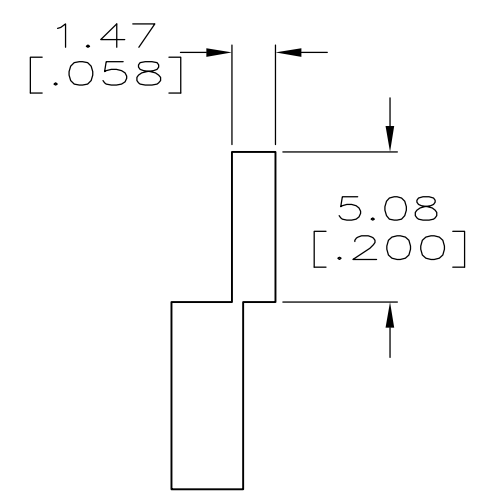
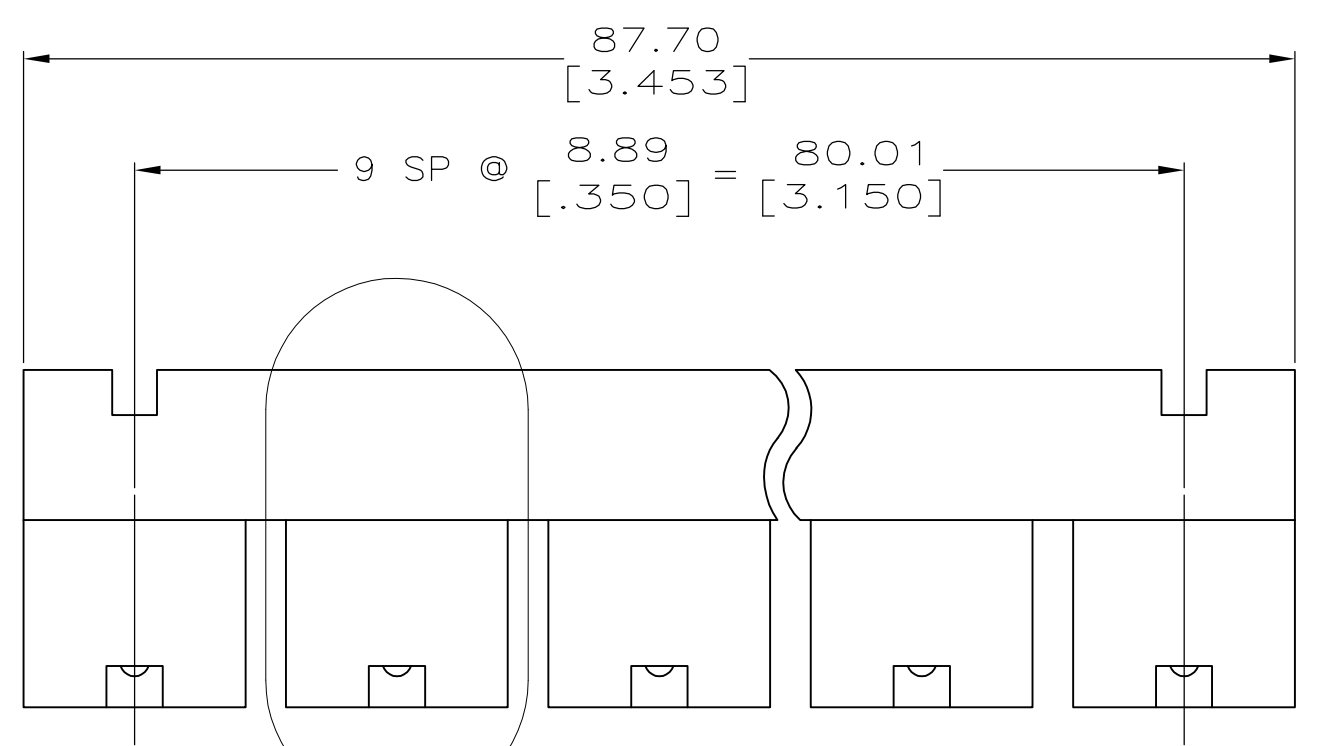
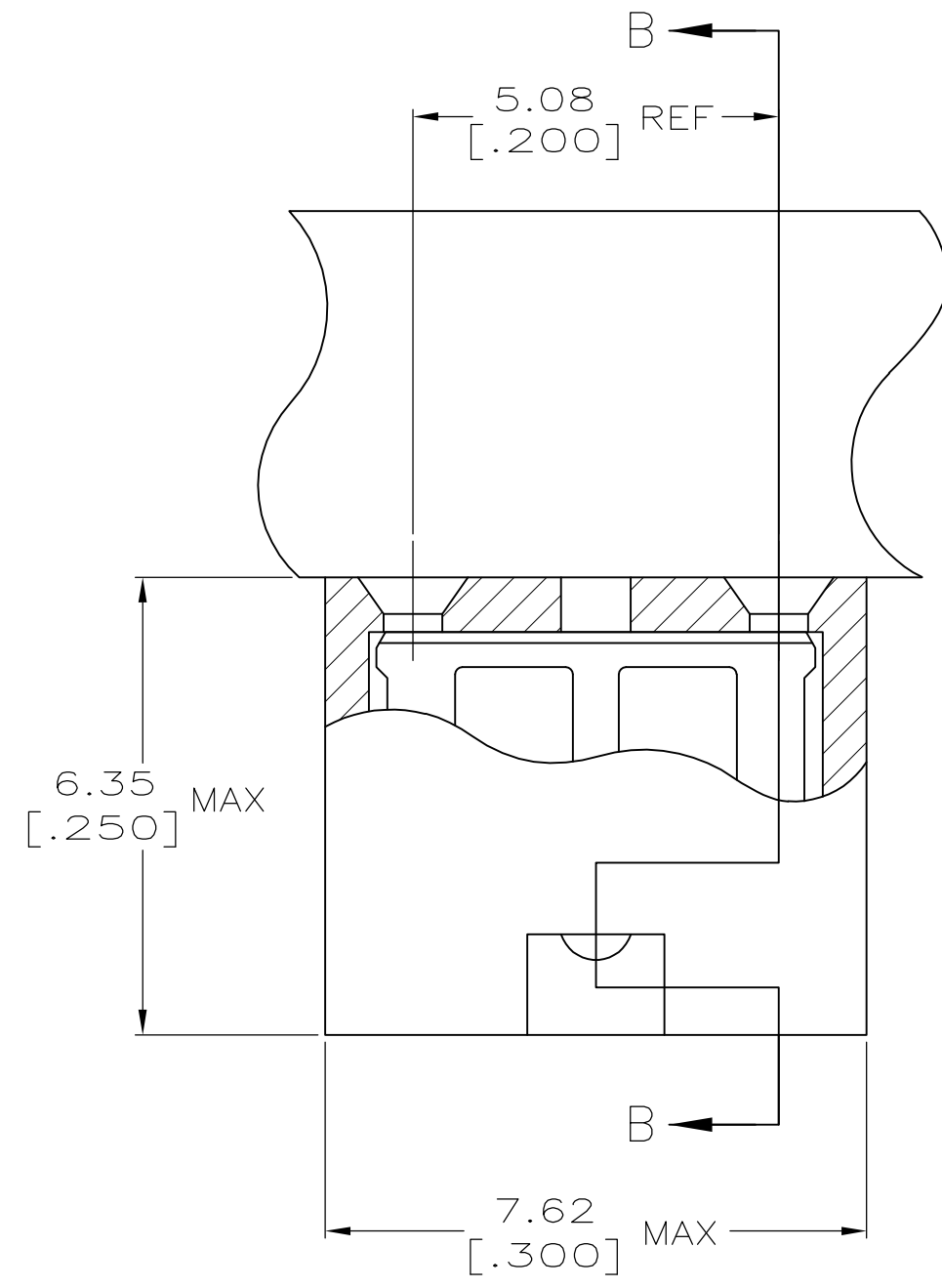


THIS DRAWING IS UNPUBLISHED. RELEASED FOR PUBLICATION  
 © COPYRIGHT - By - ALL RIGHTS RESERVED.

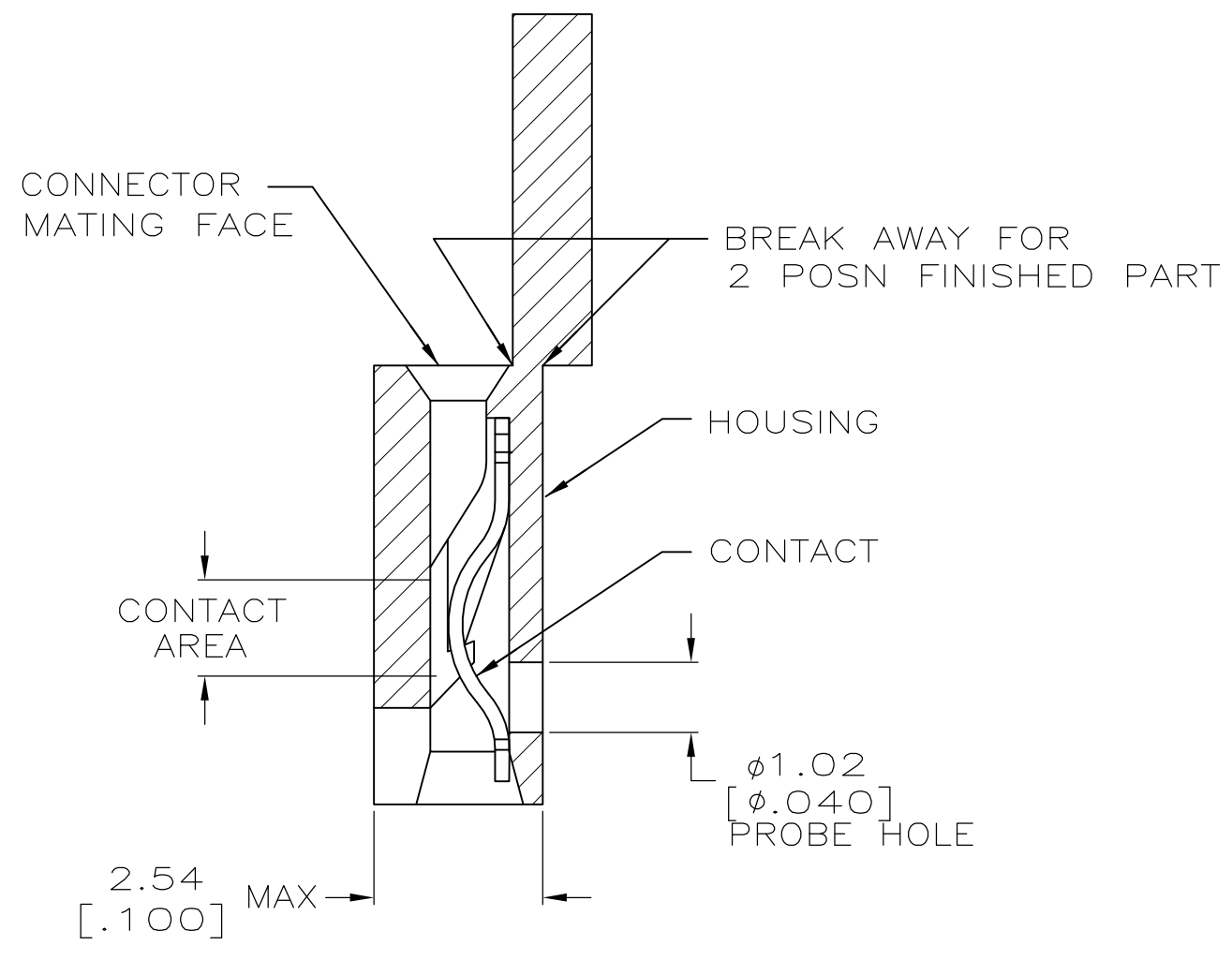
LOC		DIST		REVISIONS			
P	LTR	DESCRIPTION	DATE	DWN	APVD		
AG	00	F2	REVISED PER ECO-11-004820	11MAR11	RK	HMR	



SEE DETAIL A



DETAIL A  
SCALE 10:1



SECTION B-B  
SCALE 10:1

- 1 MATERIAL:  
HOUSING: GLASS-FILLED POLYESTER, COLOR-BLACK.  
CONTACT: BERYLLIUM COPPER.
- 2 CONTACT PLATED WITH 0.00254 [.000100] TIN-LEAD OVER ALL.
- 3 CONTACT PLATED WITH 0.00038 [.000015] GOLD IN CONTACT AREA OVER 0.00127 [.000050] NICKEL OVER ALL.
- 4 CONTACT PLATED WITH 0.00076 [.000030] GOLD IN CONTACT AREA OVER 0.00127 [.000050] NICKEL OVER ALL.
- 5 PART NO. DENOTES INDIVIDUAL TWO POSITION SHUNT, WHICH IS PACKAGED ON BREAKAWAY COMBS OF TEN SHUNTS.
- 6 CONNECTOR MATES WITH WIRE WRAP POSTS, 0.64 [.025] SQUARE OR ROUND AND 0.56 [.022] X 0.66 [.026] POSTS. LENGTH 5.08 [.200] MINIMUM.
- 7 CONTACT PLATED WITH 0.00254 [.000100] MATTE TIN OVER ALL.
- 8 PART NO. DENOTES INDIVIDUAL TWO POSITION SHUNT, WHICH IS PACKAGED LOOSE PIECE.
- 9 PRELIMINARY P/N - NOT RELEASED FOR PRODUCTION

FINISH	PART NUMBER
7	531230-5
4	531230-4
3	531230-3
2	531230-2
1	531230-1

THIS DRAWING IS A CONTROLLED DOCUMENT.		DWN	R.TALLEY	3-12-91	<b>STE</b> TE Connectivity	
DIMENSIONS: mm [INCHES]		CHK	-	-		
TOLERANCES UNLESS OTHERWISE SPECIFIED:		APVD	-	-	NAME LOW PROFILE SHUNT CONNECTOR 5.08 [.200] CL	
0 PLC ± -		PRODUCT SPEC	108-9057	SIZE		
1 PLC ± -		APPLICATION SPEC	114-1059	A2	00779	C=531230
2 PLC ± -		MATERIAL	SEE TABLE	WEIGHT	-	RESTRICTED TO
3 PLC ± 0.26 [.010]		FINISH	SEE TABLE	CUSTOMER DRAWING	SCALE	4:1
4 PLC ± -				SHEET	1 of 1	REV
ANGLES ± -				F2		

单击下面可查看定价，库存，交付和生命周期等信息

[>>TE Connectivity\(泰科\)](#)