

THIS DRAWING IS UNPUBLISHED. RELEASED FOR PUBLICATION JUL ,2006.

© COPYRIGHT 2006 BY TYCO ELECTRONICS CORPORATION. ALL RIGHTS RESERVED.

LOC	DIST	REVISIONS					
E	B	P	LTR	DESCRIPTION	DATE	DWN	APVD
		B		ECR-06-015596	05JUL06	JMS	FWK

NOTES:

- 1 PACK IN ACCORDANCE WITH AMP SPEC 107-3275
- 2 100 TRAY PACK IN ACCORDANCE WITH AMP SPEC 107-3275
- 3 Ag PLATING
- 4 Ni PLATING
- 5 THIS ITEM MUST BE WHITE

6 ELECTRICAL CHARACTERISTICS

FREQUENCY RANGE:	DC - 4 GHz
NOMINAL IMPEDANCE:	50 Ohm
INSULATION RESISTANCE:	5000 MOhm
WORKING VOLTAGE:	500 Volts RMS at Sea Level
DIELECTRIC WITHSTAND VOLTAGE:	1500 Volts RMS Max
CONTACT RESISTANCE:	
CENTRE CONTACT:	1.50 mOhm Max
OUTER CONTACT:	0.20 mOhm Max
VSWR @ 4GHz:	1.30:1 Max
INSERTION LOSS dB @ x 3 GHz:	0.20 Max

7 MECHANICAL CHARACTERISTICS

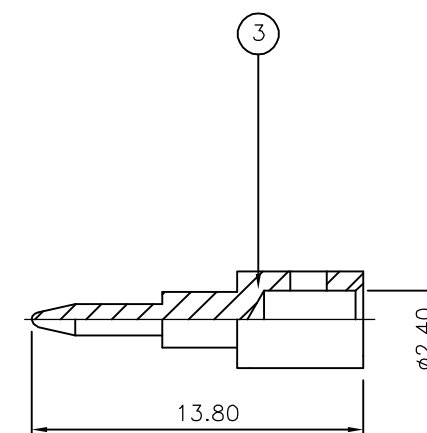
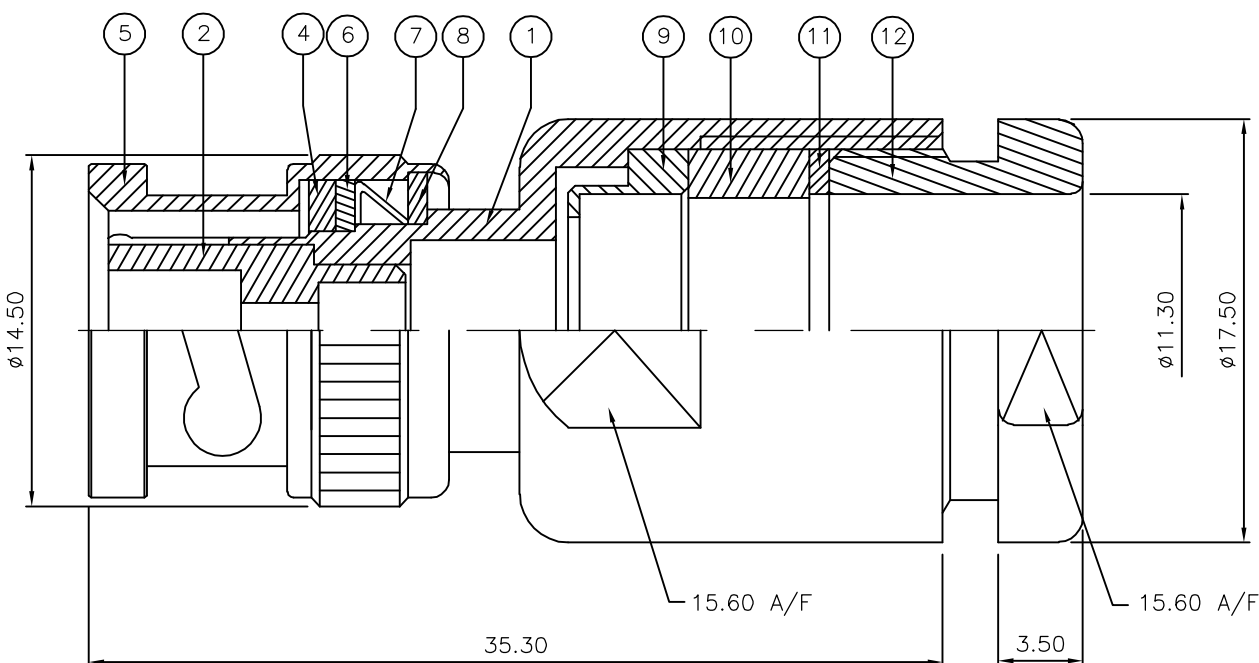
COUPLING NUT RETENTION FORCE:	445N Min
CABLE RETENTION FORCE:	170N Min
CLAMP NUT RECOMMENDED TORQUE:	4.5N
DURABILITY:	500 Cycles Min

8 ENVIRONMENTAL CHARACTERISTICS

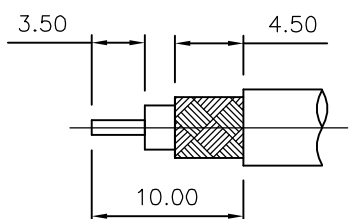
OPERATING TEMPERATURE:	-65 to +165 DegC
------------------------	------------------

9 FOR TECHNICAL DATA REFER TO YOUR LOCAL TYCO ELECTRONICS SALES OFFICE

10 ALL DIMENSIONS ARE NOMINAL FOR REFERENCE ONLY UNLESS OTHERWISE STATED



RECOMMENDED CABLE STRIPPING DIM'S



QTY	QTY PER ASSY	QTY PER ASSY	MATERIAL	DESCRIPTION	ITEM
1	1	1	BRASS	CLAMP NUT	12
1	1	1	BRASS	WASHER 2	11
1	1	1	SILICONE RUBBER	GASKET	10
1	1	1	BRASS	SLEEVE	9
1	1	1	BRASS	WASHER 1	8
1	1	1	SPRING STEEL	SPRING	7
1	1	1	BRASS	RETAINING RING	6
1	1	1	BRASS	SHELL	5
1	1	1	SILICONE RUBBER	GASKET	4
1	1	1	BRASS	CONTACT	3
1	1	1	PTFE	INSULATION	2
1	1	1	BRASS	BODY	1
6--0	1--0				

QUANTITY PER ASSY PARTS LIST

THIS DRAWING IS A CONTROLLED DOCUMENT.		DWN	J.SANDWELL	05JUL06	 Tyco Electronics Corporation Bideford EX39 4HE														
DIMENSIONS: mm		CHK	S.PARLOW	05JUL06															
TOLERANCES UNLESS OTHERWISE SPECIFIED:		APVD	F.WHEELER-KING	05JUL06															
<table border="0"> <tr><td>0 PLC</td><td>± -</td></tr> <tr><td>1 PLC</td><td>± -</td></tr> <tr><td>2 PLC</td><td>± -</td></tr> <tr><td>3 PLC</td><td>± -</td></tr> <tr><td>4 PLC</td><td>± -</td></tr> <tr><td>ANGLES</td><td>± -</td></tr> <tr><td>FINISH</td><td>± -</td></tr> </table>		0 PLC	± -	1 PLC		± -	2 PLC	± -	3 PLC	± -	4 PLC	± -	ANGLES	± -	FINISH	± -	PRODUCT SPEC	NAME	
0 PLC	± -																		
1 PLC	± -																		
2 PLC	± -																		
3 PLC	± -																		
4 PLC	± -																		
ANGLES	± -																		
FINISH	± -																		
MATERIAL	SEE TABLE	APPLICATION SPEC	411-3252		SIZE	A3	CAGE CODE	00779	DRAWING NO	C-1478136	RESTRICTED TO	-							
CUSTOMER DRAWING						SCALE	NTS	SHEET	1	OF	1	REV	B						

单击下面可查看定价，库存，交付和生命周期等信息

[>>TE Connectivity\(泰科\)](#)