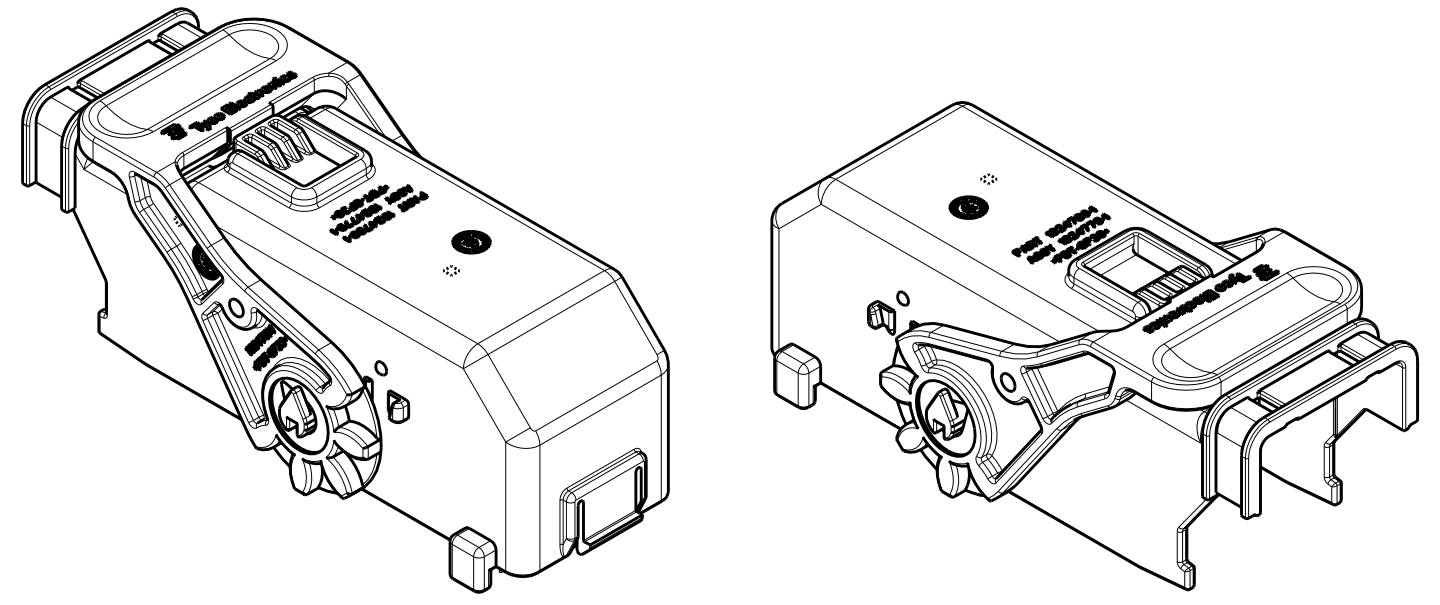
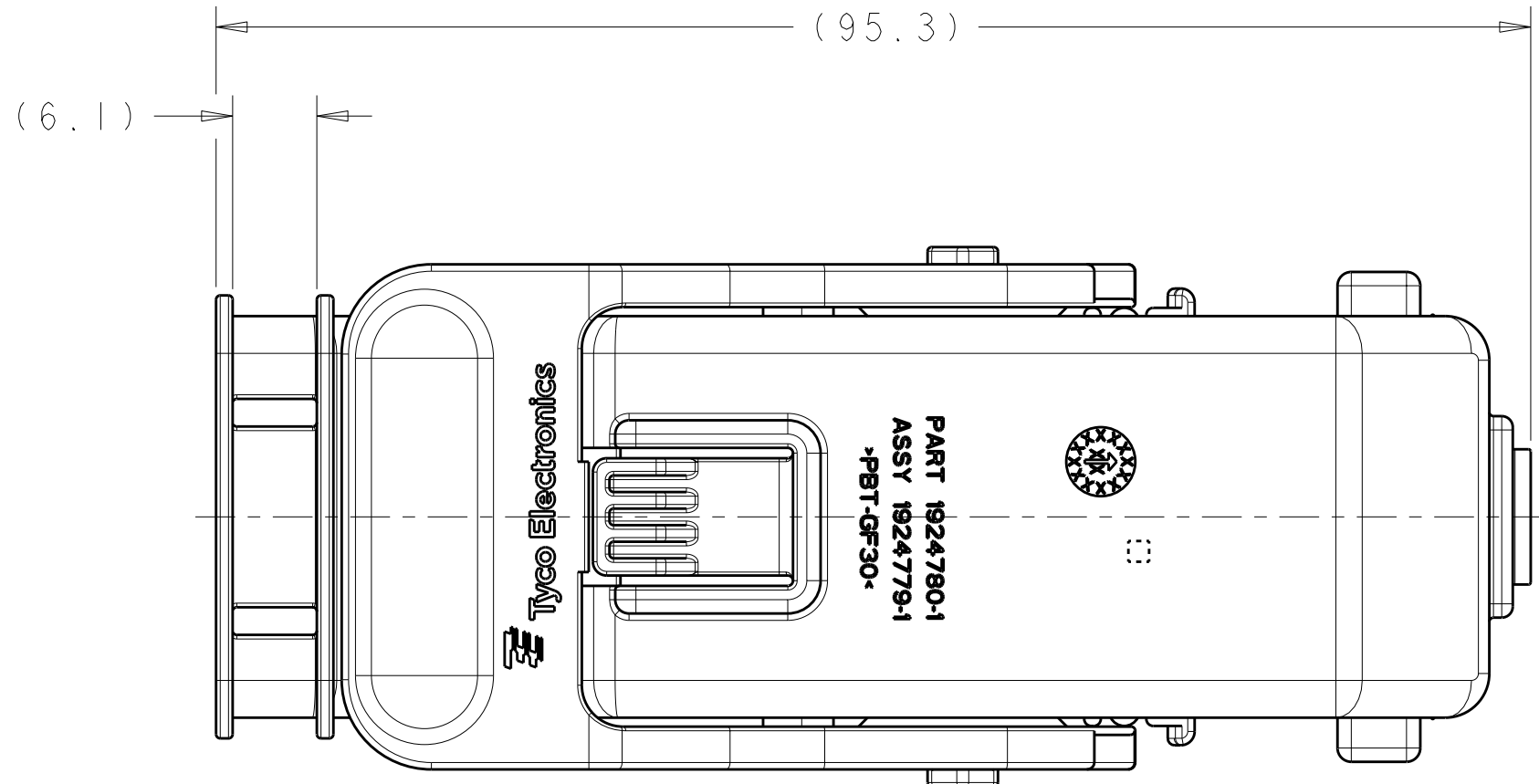
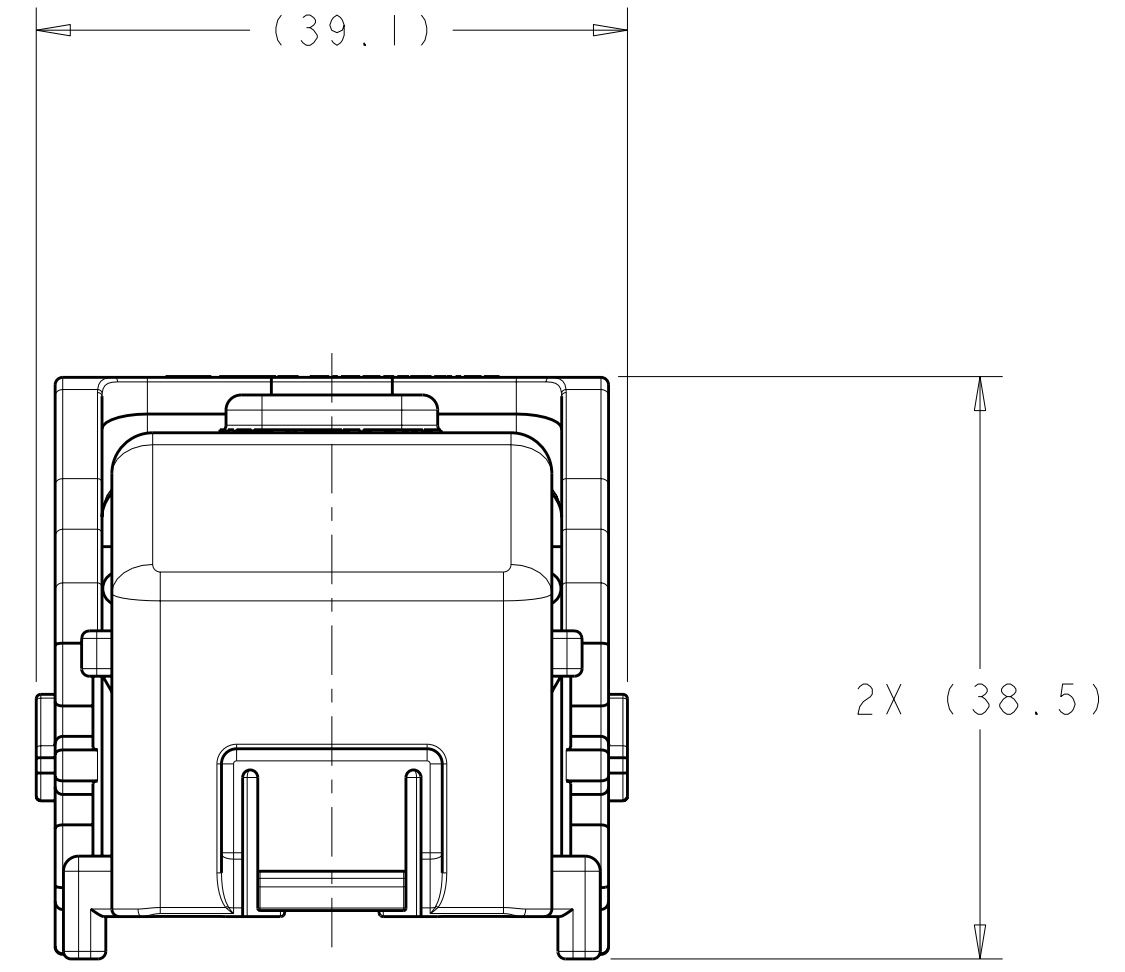
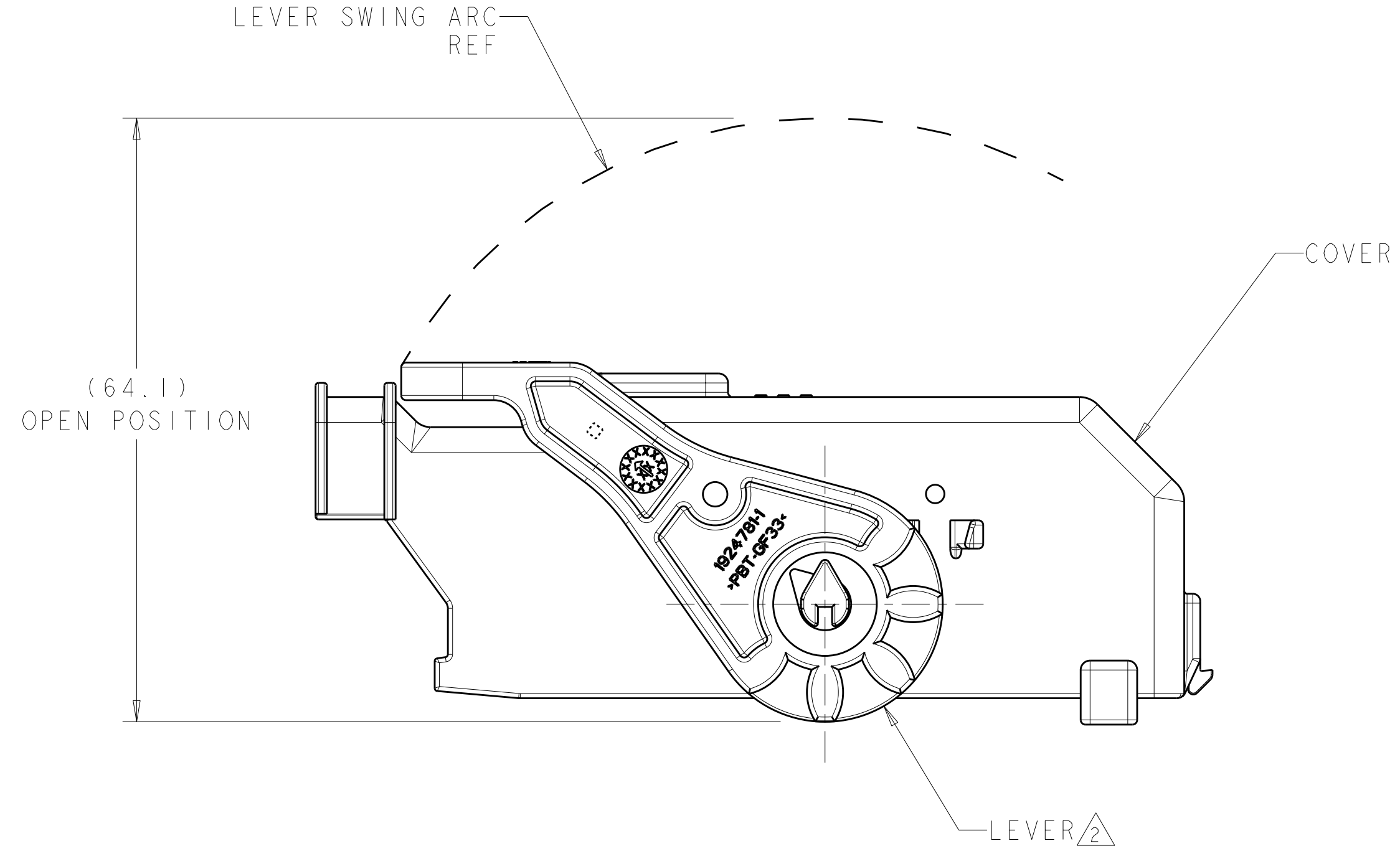


THIS DRAWING IS UNPUBLISHED. RELEASED FOR PUBLICATION 20
 © COPYRIGHT 20 BY TYCO ELECTRONICS CORPORATION. ALL RIGHTS RESERVED.

LOC	DIST	REVISIONS			
P	LTR	DESCRIPTION	DATE	DWN	APVD
	IN 00				
A		REV PER ECO-09-003943	18FEB2009	MBH	AJV
B		REV PER ECO-09-007167	24MAR2009	AJV	AJV



ISOMETRIC VIEWS
SCALE 1:1



1924779-1
PART NUMBER

- 1 COVER: POLYESTER PBT, BLACK.
LEVER: POLYESTER PBT, RED.
- 2 LEVER SHOWN IN CLOSED POSITION,
WIRE DRESS ASSEMBLY TO BE SHIPPED IN THIS POSITION.
- 3. NOTE DELETED.

THIS DRAWING IS A CONTROLLED DOCUMENT FOR TYCO ELECTRONICS CORPORATION. IT IS SUBJECT TO CHANGE AND THE CONTROLLING ENGINEERING ORGANIZATION SHOULD BE CONTACTED FOR THE LATEST REVISION.		DWN D. J. HARDY 03DEC2007	Tyco Electronics Harrisburg, PA 17105-3608	
DIMENSIONS: mm		CHK A. J. VASBINDER 03DEC2007	NAME WIRE DRESS ASSEMBLY, 96 POSITION, GPEC 11	
TOLERANCES UNLESS OTHERWISE SPECIFIED: 0 PLC ± 1 PLC ± 2 PLC ± 3 PLC ± 4 PLC ± ANGLES ± FINISH		APVD A. J. VASBINDER 03DEC2007	PRODUCT SPEC -	RESTRICTED TO -
MATERIAL -		APPLICATION SPEC -	WEIGHT -	SIZE A200779
		CUSTOMER DRAWING	SCALE 2:1	DRAWING NO C-1924779
			SHEET 1 OF 1	REV B

单击下面可查看定价，库存，交付和生命周期等信息

[>>TE Connectivity\(泰科\)](#)