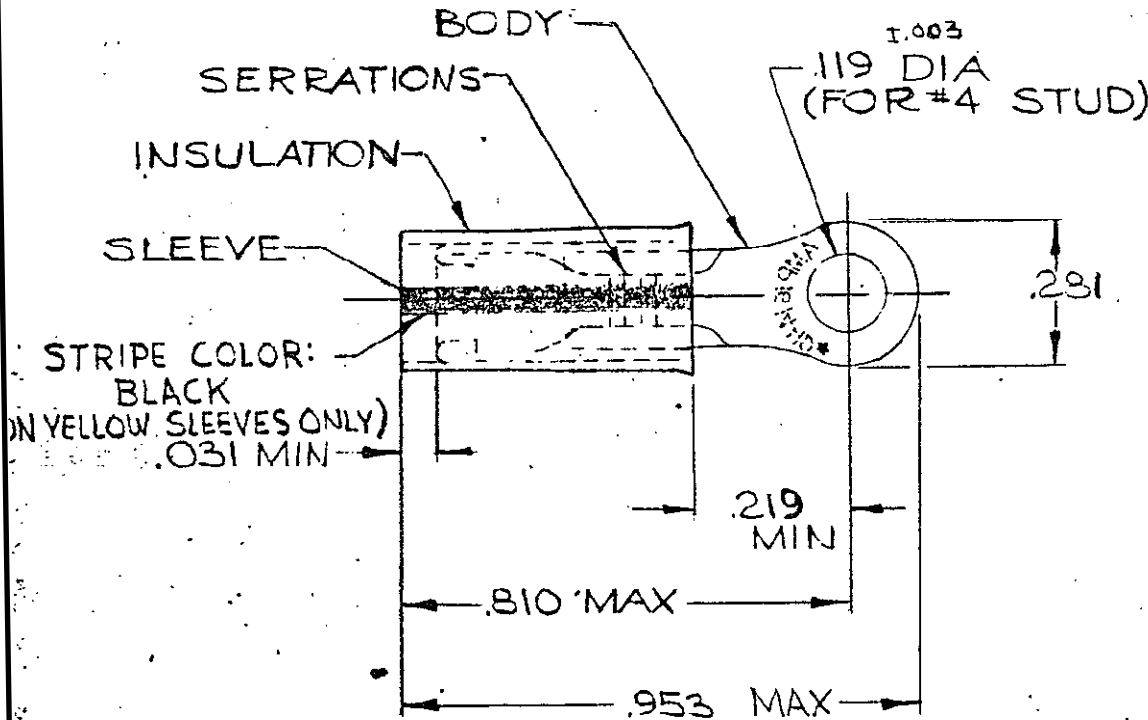


LTR	DESCRIPTION	DATE	OWN	APVD
K	REVISED PER ECO-14-015277	27FEB2015	NK	DR



FOR .150 TO .230 WIRE INSULATION DIA.
TONGUE MATERIAL THK. = .048 ± .002

			BODY & SLEEVE: (SEE BELOW)	
1	WIRE TERMINAL	2-33734-2 OBSOLETE	INSULATION: NYLON COLOR: ORANGE	
1	WIRE TERMINAL	33734	SLEEVE: COPPER (ASTM B152) INSULATION: YELLOW NYLON	
QTY	DESCRIPTION	PART NO.	MATERIAL & FINISH	
LESS OTHERWISE SPECIFIED DIMENSIONS ARE IN INCHES TOLERANCES ON: DIMENSIONS ± .008 ANGLES ± 5°		CONTRACT NO. _____ DR. 3-30-70 CHK. <i>W. J. Williams</i> 3-31-70 APPD. <i>P. C. Thompson</i> REC. <i>W. E. ...</i> 4-1-70		
MATERIAL: SEE TABLE		NAME: WIRE TERMINAL P. I. D. G.-RING TONGUE WIRE SIZE: 16-14 (HD)		
DSGN APPD _____		SIZE: A	CODE IDENT NO.: 00779	NUMBER: C-33734
OTHER APPD _____		SCALE: NTS	SHEET: 1 OF 1	REV: K

CUSTOMER DRAWING

单击下面可查看定价，库存，交付和生命周期等信息

[>>TE Connectivity\(泰科\)](#)