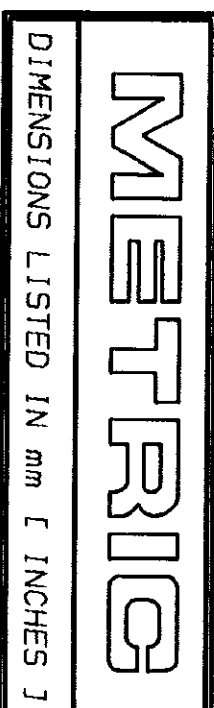
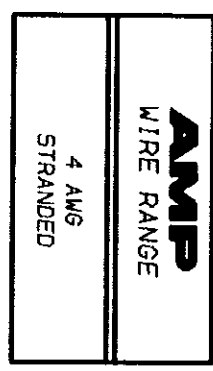


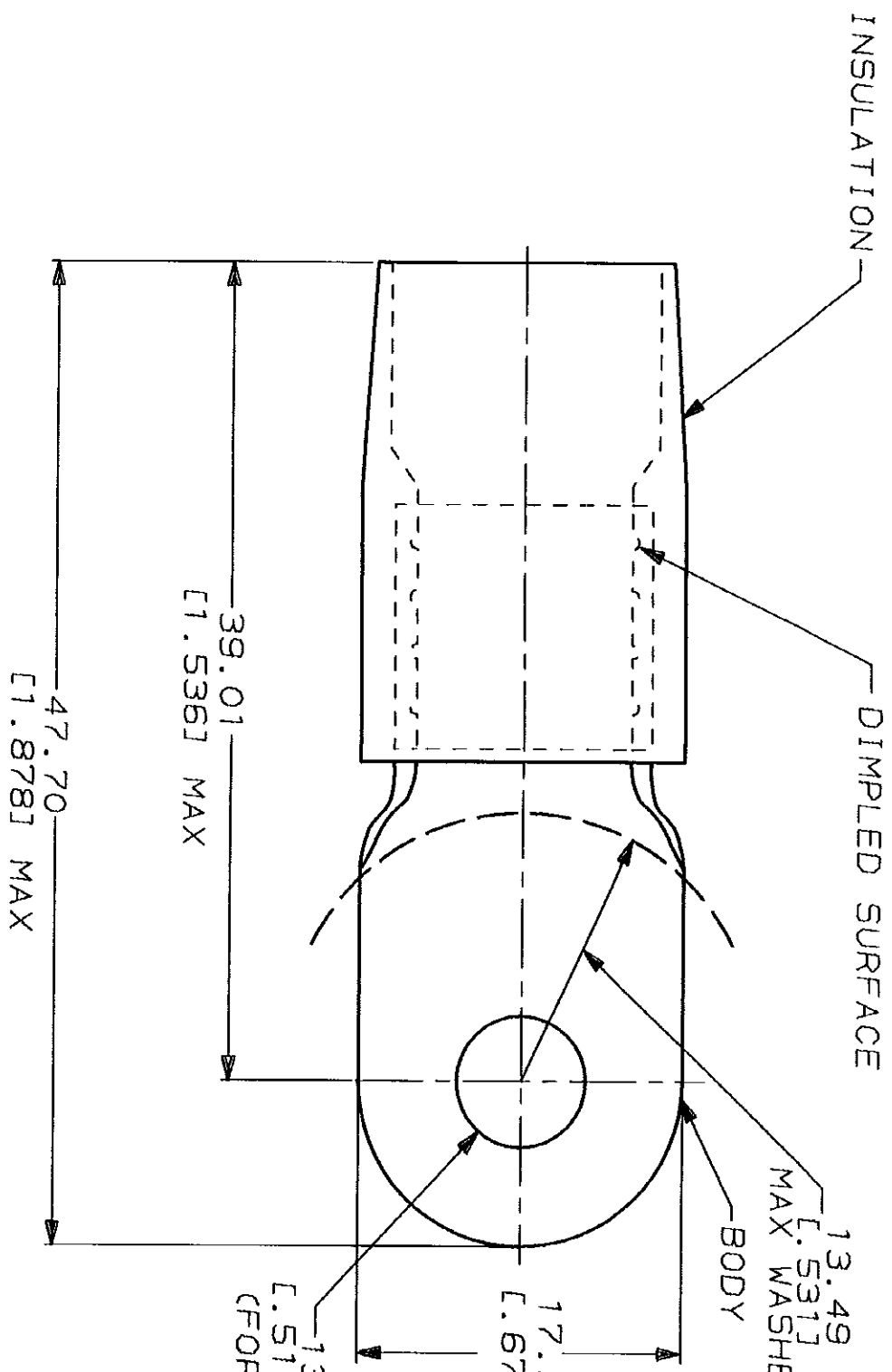
THIS DRAWING IS UNPUBLISHED. RELEASED FOR PUBLICATION BY AMP INCORPORATED. ALL INTERNATIONAL RIGHTS RESERVED. © COPYRIGHT 19

LOC	DIST	P	F	ZONE	LTR	DESCRIPTION	DATE	APPD
G	14			G	EC	0720-0279-93	6-18-93	BB

REVISIONS	
DESCRIPTION	DATE
	6-18-93



1. TONGUE MATERIAL THK 1.22±0.08 [0.048±.003] FOR 9.70 [0.382] MAX WIRE INS DIA



AMP INCORPORATED
CUSTOMER SERVICE SYSTEMS

FOR ADDITIONAL PRODUCT INFORMATION OR COPIES OF DRAWINGS AND TECHNICAL DOCUMENTS	1-800-522-6752	PRODUCT INFORMATION CENTER
FOR APPLICATION TOOLING INFORMATION	1-800-722-1111	TOOLING ASSISTANCE CENTER
FOR ORDER ENTRY	1-800-526-5142	

MAX RECOMMENDED OPERATING TEMPERATURE:	105 °C
VOLTAGE RATING:	-
CIRCULAR MIL AREA:	16.8-26.7mm² [33, 100-52, 600] STRANDED

DO NOT SCALE PRINT. UNLESS SPECIFIED OTHERWISE	DR 6/93
TOLERANCES UNLESS SPECIFIED	SS GOLDEN
2 PLG DEC ± 0.201 (0.008)	CHK 6/93
3 PLG DEC ± 0.201 (0.008)	R HERSEY
ANGLES ±	APPD 6/93
MATERIAL	APPD 6/93
COPPER PER ASTM B-152	M ELLIS
NYLON (MIL-M-20693) TYPE 1	PRODUCT SPEC
COLOR: YELLOW	APPLICATION SPEC
FINISH	WEIGHT -
TIN PLATE PER MIL-T-10727	

LOOSE PC	324114
PACKAGE TYPE	PART NO
AMP	AMP Incorporated
	Harrisburg, PA 17105-3608
TERMINAL, RING TONGUE, TERMINYL	
WIRE SIZE: 4 AWG	
SIZE	CAGE CODE
B	00779
SCALE	DRAWING NO
NTS	G=324114
	SHEET
	1 OF 1

AMP 1470-15 REV 3-92 19 AUG 1993 13:50:02 AMP12368 <UJ128A>DEPT1132>U.DWG1132>U.RBY>U.TERMINYL>U.CUST

CUSTOMER DRAWING

单击下面可查看定价，库存，交付和生命周期等信息

[>>TE Connectivity\(泰科\)](#)