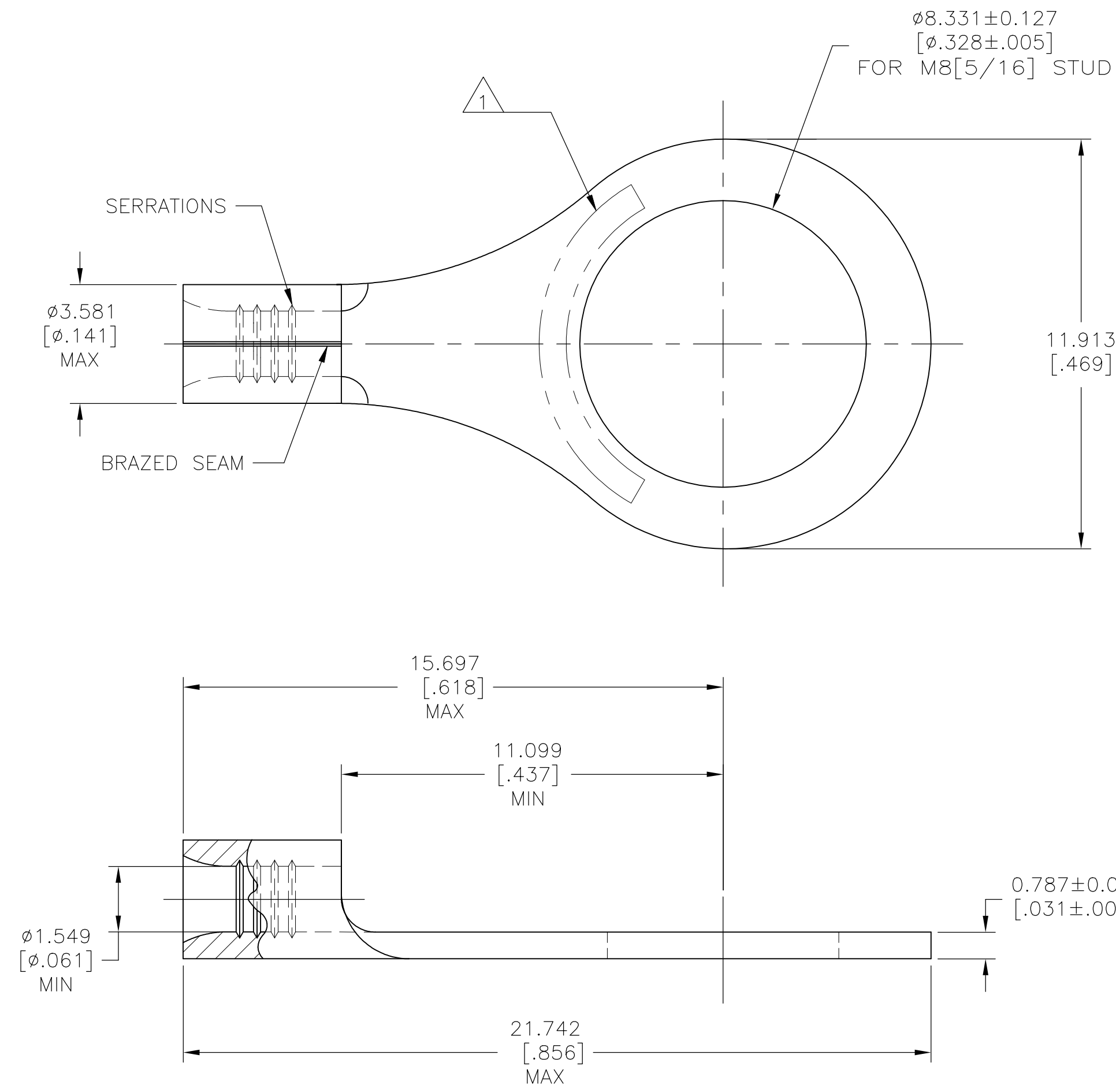


THIS DRAWING IS UNPUBLISHED. RELEASED FOR PUBLICATION  
 © COPYRIGHT - By - ALL RIGHTS RESERVED.

REVISIONS					
P	LTR	DESCRIPTION	DATE	DWN	APVD
D1		REVISED PER ECO-15-013426	18SEP2015	NK	DR
D2		REVISED PER ECO-17-008806	15FEB2018	RS	DR



**AMP**  
WIRE RANGE

22-16 AWG  
SOLID OR STRANDED

- 1 STAMP AMP 22-18\* APPROX AS SHOWN  
22-16 TERMINALS ARE STAMPED 22-18 IN  
ACCORDANCE WITH MILITARY SPEC SAE AS7928  
COMMERCIAL WIRE RANGE IS 22-16
- 2 TIN PLATE 0.00254[.000100] MIN EXT THK  
PER ASTM-B545
- 3 NOTE DELETED
- 4 NOTE DELETED
- 5 NICKEL PLATED 0.00762 [.000300] MIN EXT THK  
PER SAE AMS QQ-N-290.
- 6 UL LISTED E13288, 22-16 AWG SOLID OR STRANDED.
- 7 CSA CERTIFIED LR7189, 22-16 AWG SOLID OR STRANDED
- 8 MILITARY P/N AND CLASS: M7928/7-5 CLASS 2
- 9 COPPER PER ASTM B152 ANNEALED
- 10 NOTE DELETED
- 11 UL 486 A-B OR SAE AS7928

7 6	100	170°C[338°F] MAX	LOOSE PIECE, BOX	2	8-34114-1
8 7 6	5000	170°C[338°F] MAX	34114 ON TAPE	2	2-34114-2
	1000	343°C[649°F] MAX	LOOSE PIECE	5	34114-4
8 7 6	1000	170°C[338°F] MAX	LOOSE PIECE	2	34114
	QTY	MAX TEMP.	PACKAGE TYPE	FINISH	PART NUMBER

<b>AMP INCORPORATED</b> <b>CUSTOMER SERVICE SYSTEMS</b>		MAX RECOMMENDED OPERATING TEMPERATURE: SEE TABLE	THIS DRAWING IS A CONTROLLED DOCUMENT.		DWN TA BRINKMAN 3-10-93	TE Connectivity Ltd.
		VOLTAGE RATING: N/A	DIMENSIONS: mm [INCHES]	TOLERANCES UNLESS OTHERWISE SPECIFIED:	CHK DA PATTERSON 3-10-93	
FOR ADDITIONAL PRODUCT INFORMATION OR COPIES OF DRAWINGS AND TECHNICAL DOCUMENTS PRODUCT INFORMATION CENTER 1-800-522-6752	FOR APPLICATION TOOLING ASSISTANCE CENTER 1-800-722-1111	CIRCULAR MIL AREA: 0.26-1.65mm <sup>2</sup> [509-3260] CIR MILS SOLID OR STRANDED	0 PLC ± - 1 PLC ± - 2 PLC ± - 3 PLC ± 0.127[.005] 4 PLC ± - ANGLES ± -	APVD DE MILLER 3-10-93	NAME TERMINAL, RING TONGUE, SOLISTRAND 22-16 AWG	
FOR ORDER ENTRY 1-800-526-5142	THIS DRAWING IS A CONTROLLED DOCUMENT FOR AMP INCORPORATED. IT IS SUBJECT TO CHANGE AND THE CONTROLLING ENGINEERING ORGANIZATION SHOULD BE CONTACTED FOR THE LATEST REVISION.		MATERIAL 9	FINISH SEE TABLE	APPLICATION SPEC 11	RESTRICTED TO -
			CUSTOMER DRAWING		SIZE A2	CAGE CODE 00779
					DRAWING NO 34114	SCALE 8:1
					REV D2	SHEET 1 of 1

34114

单击下面可查看定价，库存，交付和生命周期等信息

[>>TE Connectivity\(泰科\)](#)