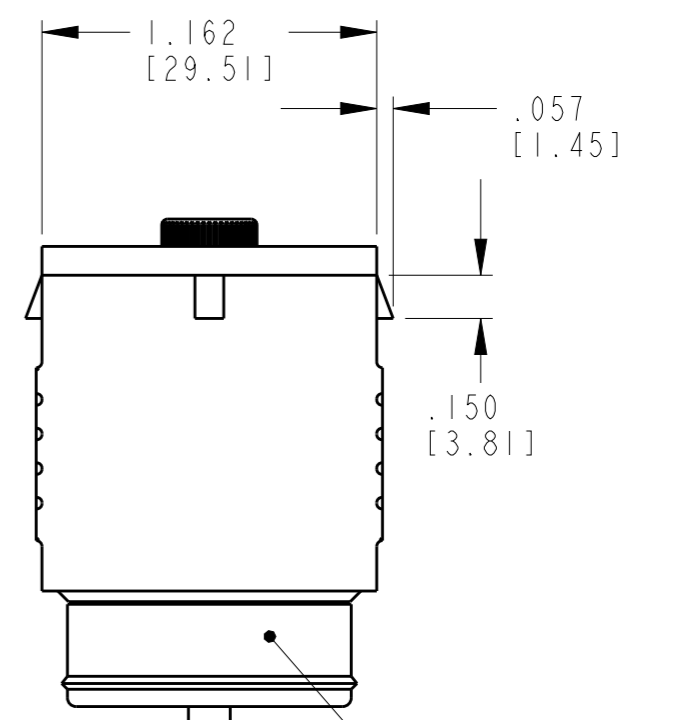
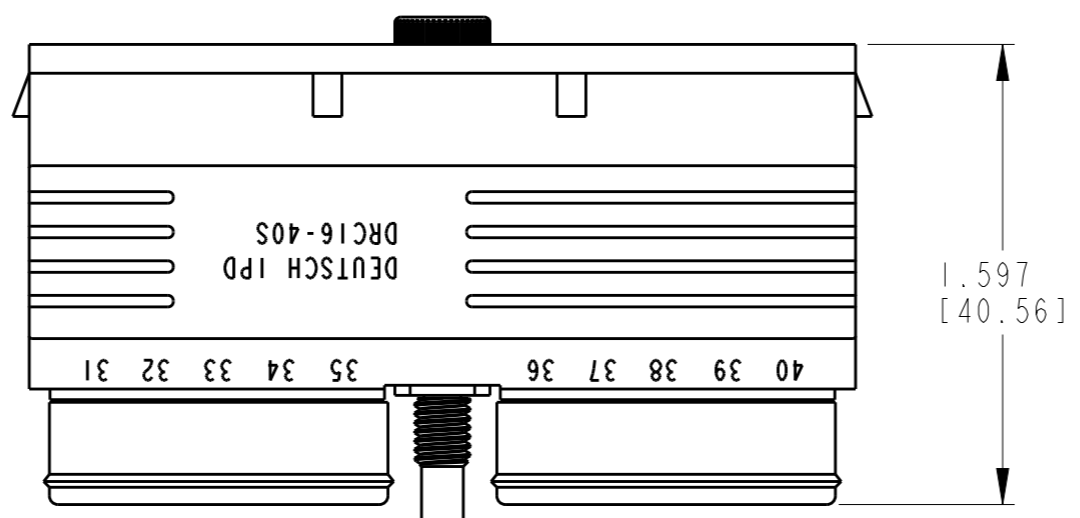
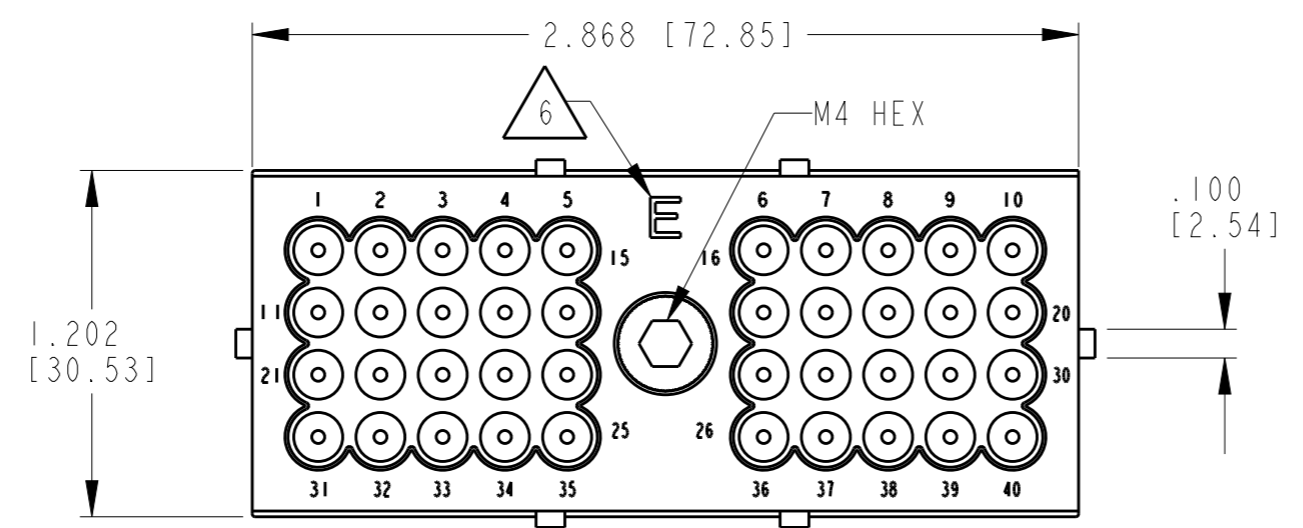


THIS DRAWING IS UNPUBLISHED  
 RELEASED FOR PUBLICATION 2017  
 © COPYRIGHT 2017 BY - TE CONNECTIVITY ALL RIGHTS RESERVED.

REVISIONS					
P	LTR	DESCRIPTION	DATE	DWN	APVD
	C	REVISED PER PCN E-17-012901	13JUN2017	CM	DM

CONTACT SIZE	MIN. INSUL. OD [mm]	MAX. INSUL. OD [mm]	WIRE RANGE [mm <sup>2</sup> ] REF ONLY
16	.053 [1.35]	.120 [3.05]	14-18 AWG [2.0-.75]



- 6. E: LETTER "E" IDENTIFIES "E" WIRE SEAL.
- 5. MATERIAL:  
 PLUG: PPS GF40 (BLACK)  
 SEAL/GROMMET: VMQ (RED-ORANGE)  
 CLIP: STEEL, UNPLATED  
 BOLD: STAINLESS STEEL WITH SILVER PLATING AND MAY TARNISH.

- 4. MATING TORQUE REQUIREMENT: 25-28 in-lb (2.82-3.16 Nm).
- 3. THIS PLUG MATES WITH DRC10-40P-XXXX; DRC12-40PXE-XXXX; DRC13-40PX-XXXX; DRC14-40PXE-XXXX. CONSULT FACTORY FOR MODIFICATIONS. X = A, B, C, D KEYS, XXXX = MODIFICATIONS
- 2. FOR CONTACTS AND WIRE PERFORMANCE AND APPLICATION CHARACTERISTICS, SEE ENVELOPE DRAWING 0425-015-0000.
- 1. PLUG IS SUPPLIED WITH DUST CAP, 0515-001-4005 (NOT SHOWN)

NOTES:

TE INTERNAL PN	DEUTSCH PN
DRC16-40SE	DRC16-40SE

THIS DRAWING IS A CONTROLLED DOCUMENT.		DWN J. APOSTOL 18JUL2000													
DIMENSIONS: INCHES [mm]		CHK B. BYFORD 15APR2002													
TOLERANCES UNLESS OTHERWISE SPECIFIED:		APVD R. REED 15APR2002													
<table border="1"> <tr><td>0 PLC</td><td>±</td></tr> <tr><td>1 PLC</td><td>±</td></tr> <tr><td>2 PLC</td><td>±</td></tr> <tr><td>3 PLC</td><td>±.025 [.635]</td></tr> <tr><td>4 PLC</td><td>±</td></tr> <tr><td>ANGLES</td><td>±0° 30' 0"</td></tr> </table>		0 PLC	±			1 PLC	±	2 PLC	±	3 PLC	±.025 [.635]	4 PLC	±	ANGLES	±0° 30' 0"
0 PLC	±														
1 PLC	±														
2 PLC	±														
3 PLC	±.025 [.635]														
4 PLC	±														
ANGLES	±0° 30' 0"														
MATERIAL 5		FINISH -		NAME DRC CONNECTOR PLUG 40 CONTACTS REDUCED E WIRE SEAL											
		APPLICATION SPEC -		SIZE A3											
		WEIGHT -		CAGE CODE 4AFU8											
		CUSTOMER DRAWING		DRAWING NO. DRC16-40SE											
				RESTRICTED TO -											
				SCALE 1.5:1											
				SHEET 1 OF 1											
				REV C											

单击下面可查看定价，库存，交付和生命周期等信息

[>>TE Connectivity\(泰科\)](#)