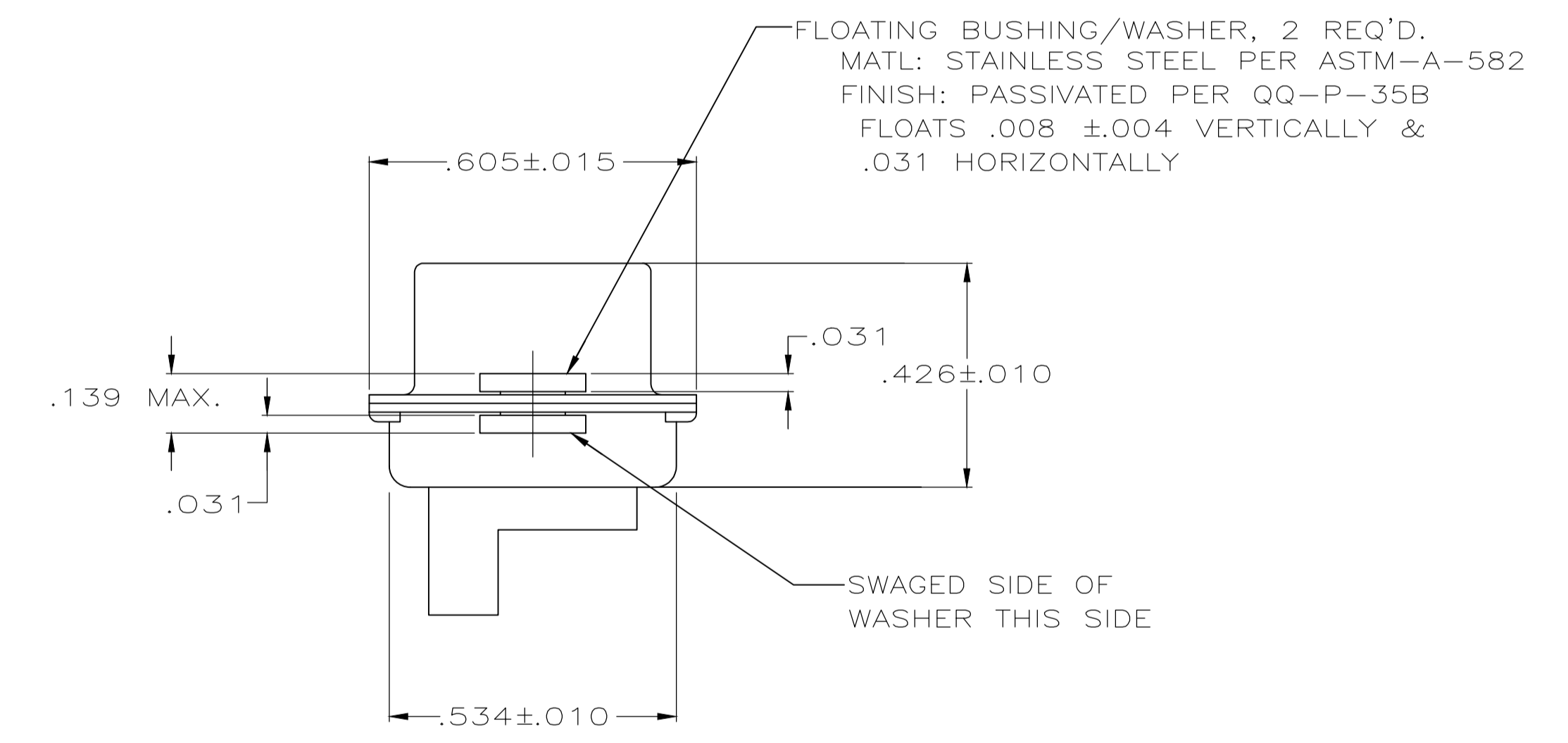
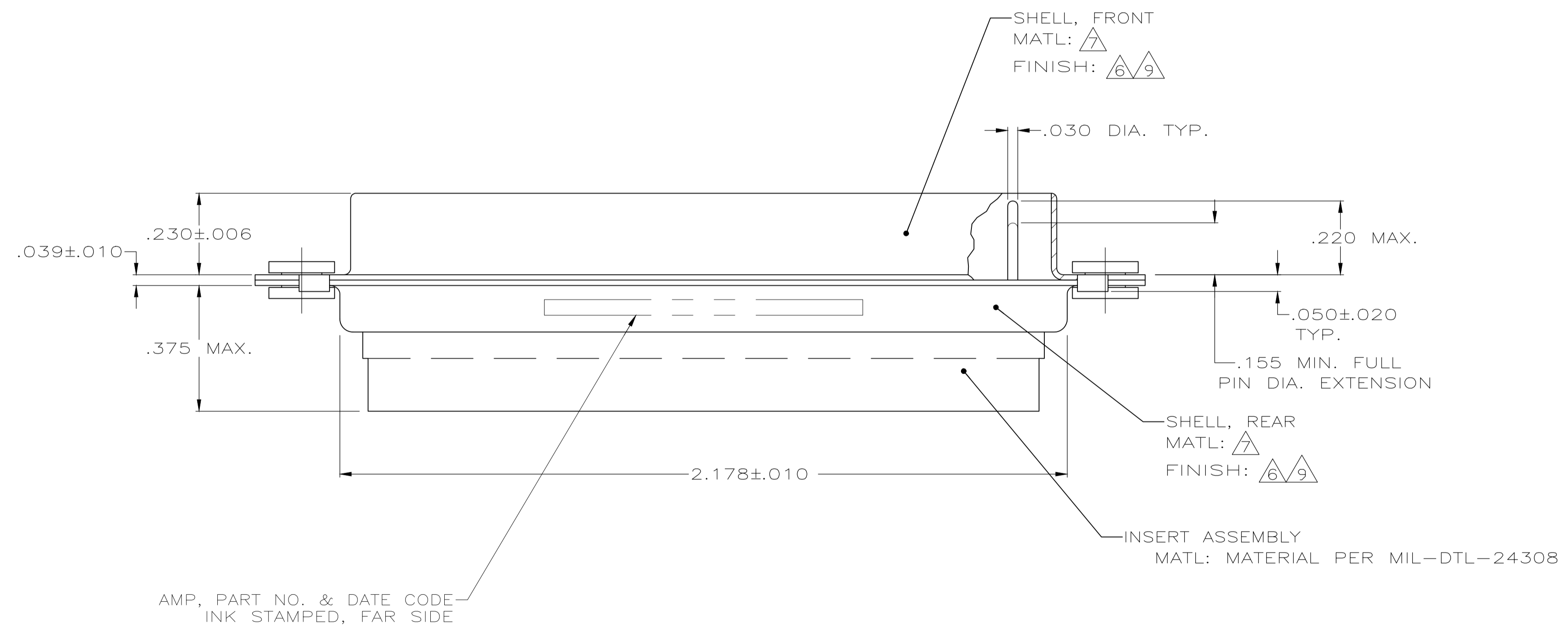


1. THIS PLUG WILL MATE WITH ANY 24C7, SIZE 5 RECEPTACLE IN AMPLIMITE SERIES.
  2. MAXIMUM WIRE INSULATION TO BE USED WITH THIS PLUG IS .068 DIA.
  3. THIS CONNECTOR ACCEPTS 7 POWER 8 COAX SOCKET CONTACTS IN POSITIONS A1 THRU A7, PURCHASED SEPARATELY.
  4. THIS CONNECTOR ACCEPTS SIZE 20 PIN SIGNAL CONTACTS IN POSITIONS 1 THRU 17.
  5. INSERTION/EXTRACTION TOOL USED FOR SIZE 20 PIN SIGNAL CONTACTS IS 91067-2.
6. FINISH: CADMIUM PLATED PER QQ-P-416  
 7. STEEL PER ASTM-A-109.  
 8. UL/CSA DESIGNATION STAMPED IN THIS AREA.  
 9. FINISH: ZINC PLATE PER ASTM-B-633 .000200-.000400 THK WITH SUPPLEMENTARY CHROMATE (Cr3+).



7, 9	5-449919-1
7, 6	449919-1
REMARKS	PART NO

THIS DRAWING IS A CONTROLLED DOCUMENT.

DIMENSIONS: INCHES	TOLERANCES UNLESS OTHERWISE SPECIFIED:	DIN	27-May-15	MANJUNATH G.M.
0. PLC ± -	1. PLC ± -	CHK	27-May-15	CHARLES THOMAS
2. PLC ± -	3. PLC ± .005	APVD	27-May-15	CHARLES THOMAS
4. PLC ± -	ANGLES ± -	NAME		CHARLES THOMAS
MATERIAL	FINISH	PRODUCT SPEC		
		APPLICATION SPEC		
		SIZE	CAGE CODE	DRAWING NO
		WEIGHT	A1	00779
		CUSTOMER DRAWING	SCALE	4:1
			SHEET	1 OF 1
			REV	B

STE TE Connectivity  
 PLUG ASSEMBLY, AMPLIMITE, 24C7, SIZE 5, SERIES 109, W/ FLOAT BUSHINGS  
 RESTRICTED TO

单击下面可查看定价，库存，交付和生命周期等信息

[>>TE Connectivity\(泰科\)](#)