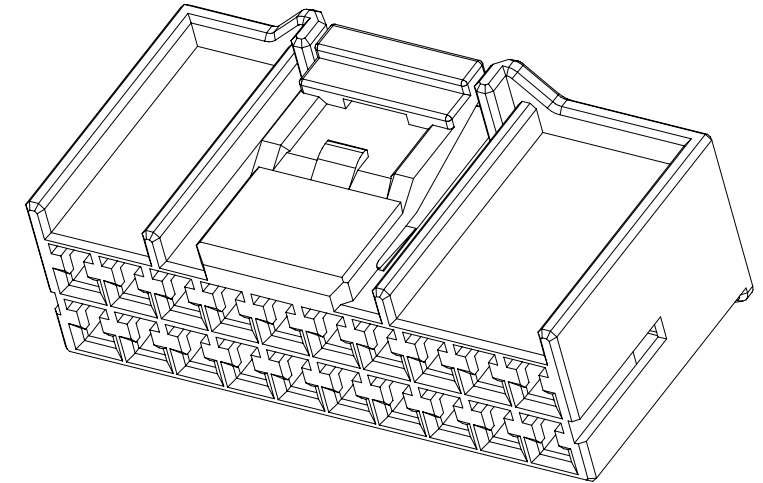
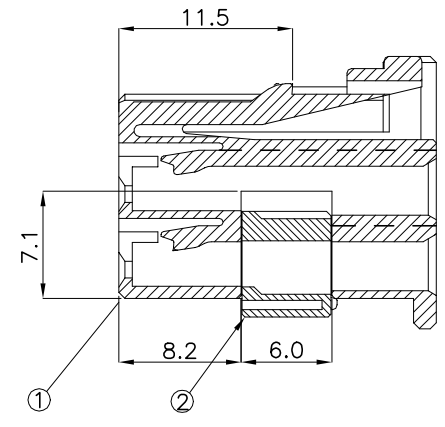
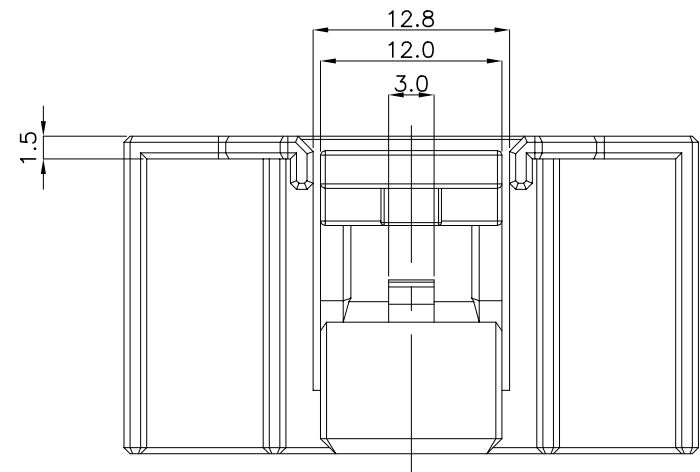
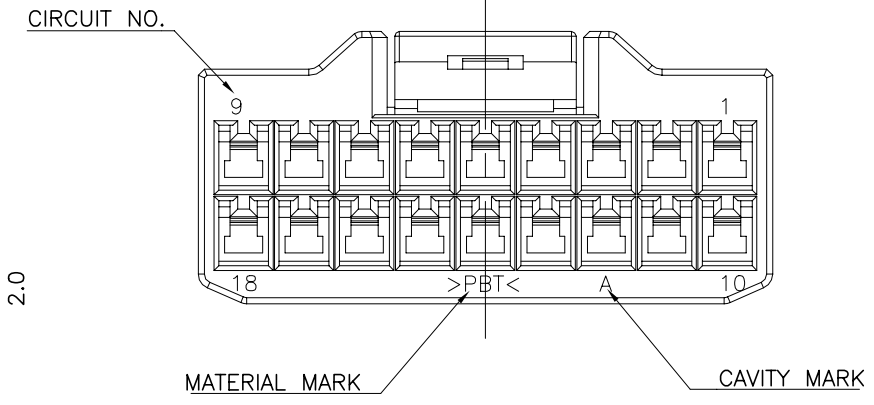
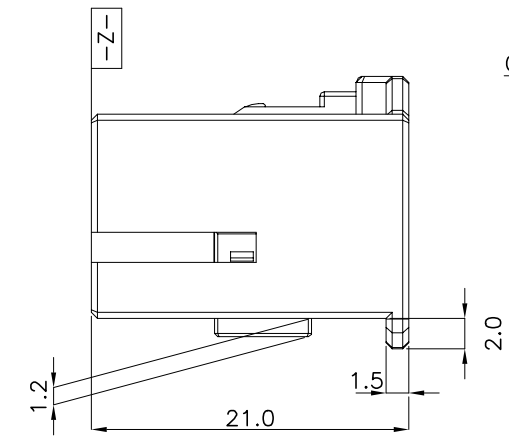
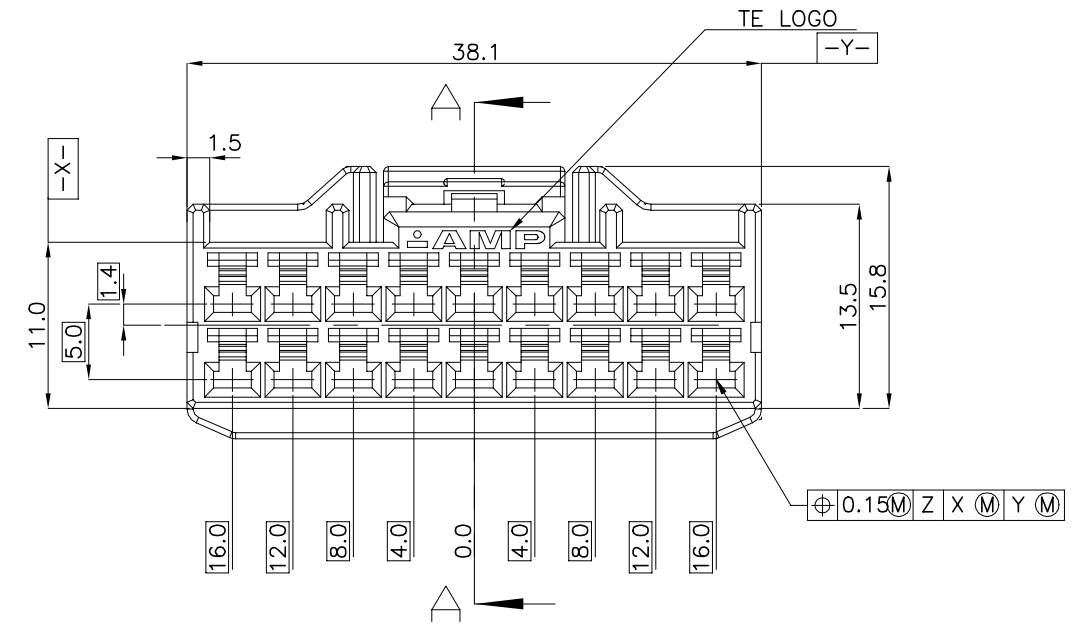


REVISIONS					
P	LTR	DESCRIPTION	DATE	DWN	APVD
B2		REVISED ECR-20-006447	16JUL2020	VI	SPB



SECTION A-A



ASSY P/N	QTY
0-936204-8	1
0-936204-7	1
0-936204-6	1
0-936204-5	1
0-936204-4	1
0-936204-3	1
0-936204-2	1
0-936204-1	1

TOLERANCES UNLESS OTHERWISE SPECIFIED:

0 <XXX<10	± 0.2
10<XXX<30	± 0.25
30<XX	± 0.3
ANGLES	± 3°

NO	COLOR	MATERIAL	DESCRIPTION	P/N	QTY
1	BLUE	PBT	PLUG	0-936205-8	1
	GREEN	PBT	PLUG	0-936205-7	1
	RED	PBT	PLUG	0-936205-6	1
	YELLOW	PBT	PLUG	0-936205-5	1
	BROWN	PBT	PLUG	0-936205-4	1
	D/GRAY	PBT	PLUG	0-936205-3	1
	BLACK	PBT	PLUG	0-936205-2	1
	NATURAL	PBT	PLUG	0-936205-1	1
2	NATURAL	PBT	DBL	0-936206-1	1

- NOTES.
- THE MATING HSG. P/N ; 936213
 - APPLIED CONTACT P/N ;
090 II REC.- 368083,368084,368085
090 III REC.- 1743654,1743655,1743656,1897753,1897598
- 추가-
- 상대 하우징 P/N. ; 936213
 - 적용단자 P/N. ; 090 II REC.- 368083,368084,368085
090 III REC.- 1743654,1743655,1743656,1897753,1897598

THIS DRAWING IS A CONTROLLED DOCUMENT.

DIMENSIONS: mm	TOLERANCES UNLESS OTHERWISE SPECIFIED: 0 PLC ± - 1 PLC ± - 2 PLC ± - 3 PLC ± - 4 PLC ± - ANGLES ± -	DWN KT JUNG	TE Connectivity NAME 090III 18P PLUG ASS'Y
MATERIAL SEE TABLE	FINISH -	CHK JW JUNG	
		APVD HG CHO	
		PRODUCT SPEC -	
		APPLICATION SPEC -	SIZE A3
		WEIGHT 0	CAGE CODE 00779
		CUSTOMER DRAWING	DRAWING NO C-936204
			RESTRICTED TO -
			SCALE 1:1
			SHEET 1 of 1
			REV B2

单击下面可查看定价，库存，交付和生命周期等信息

[>>TE Connectivity\(泰科\)](#)