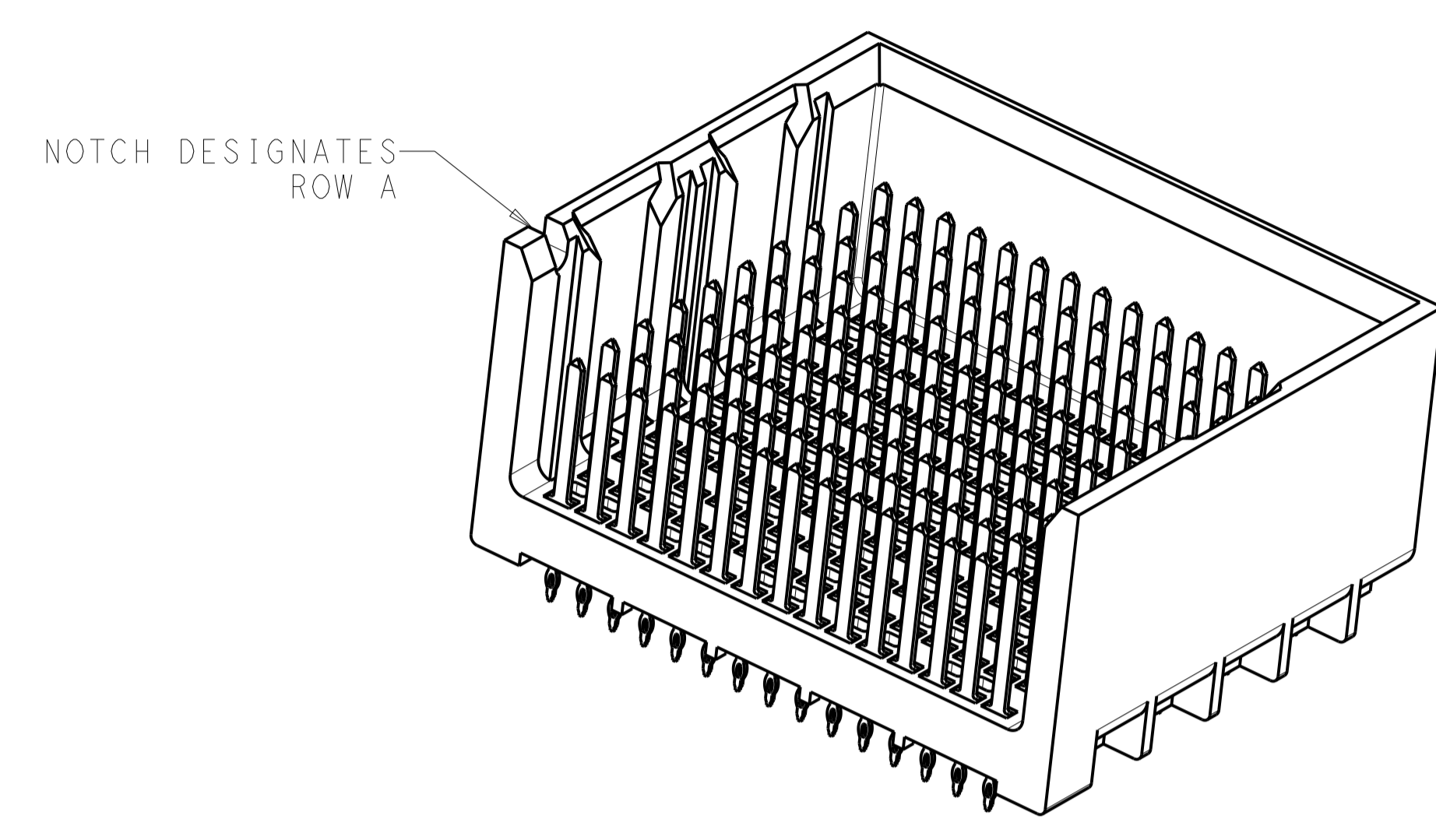
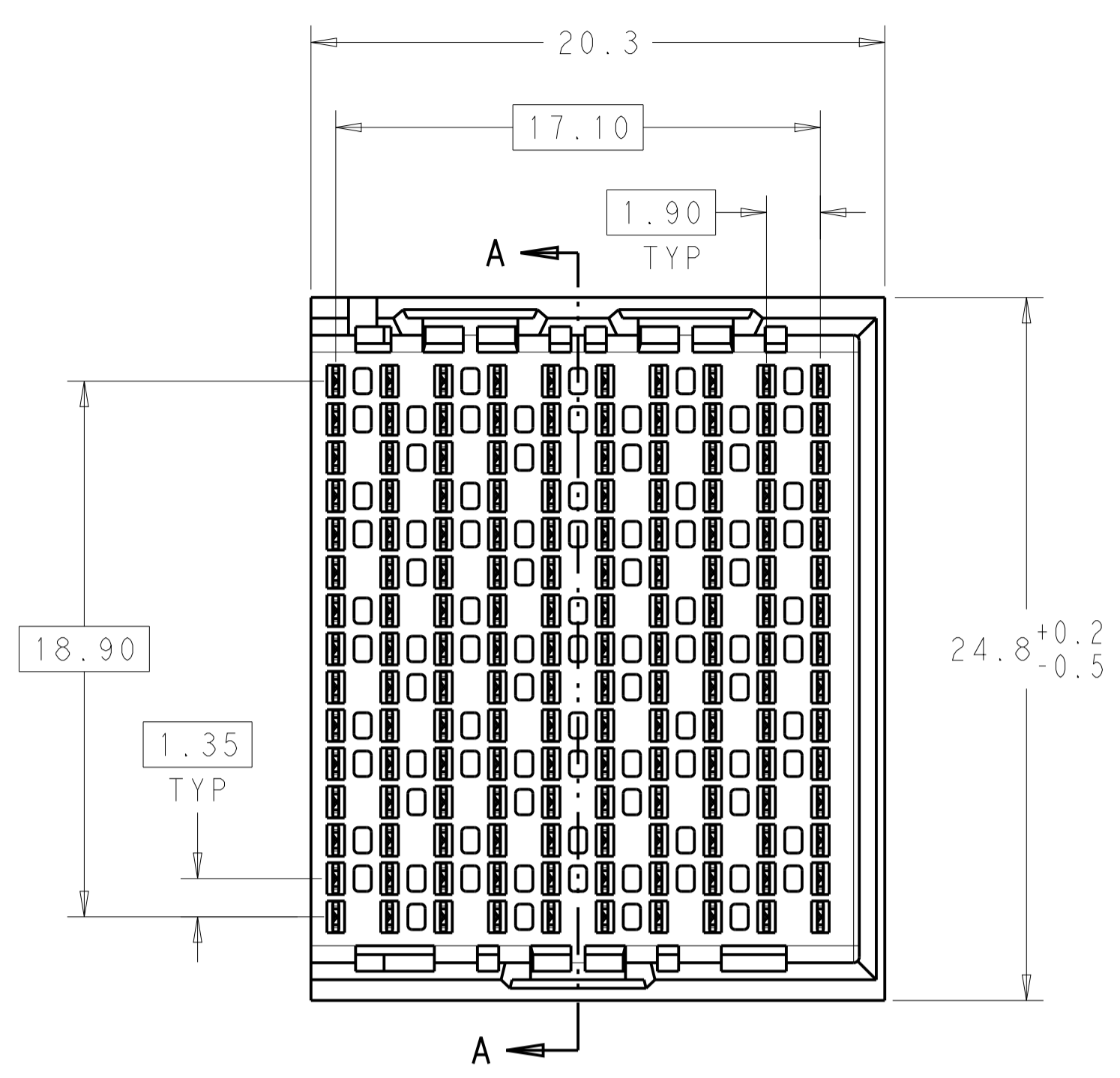
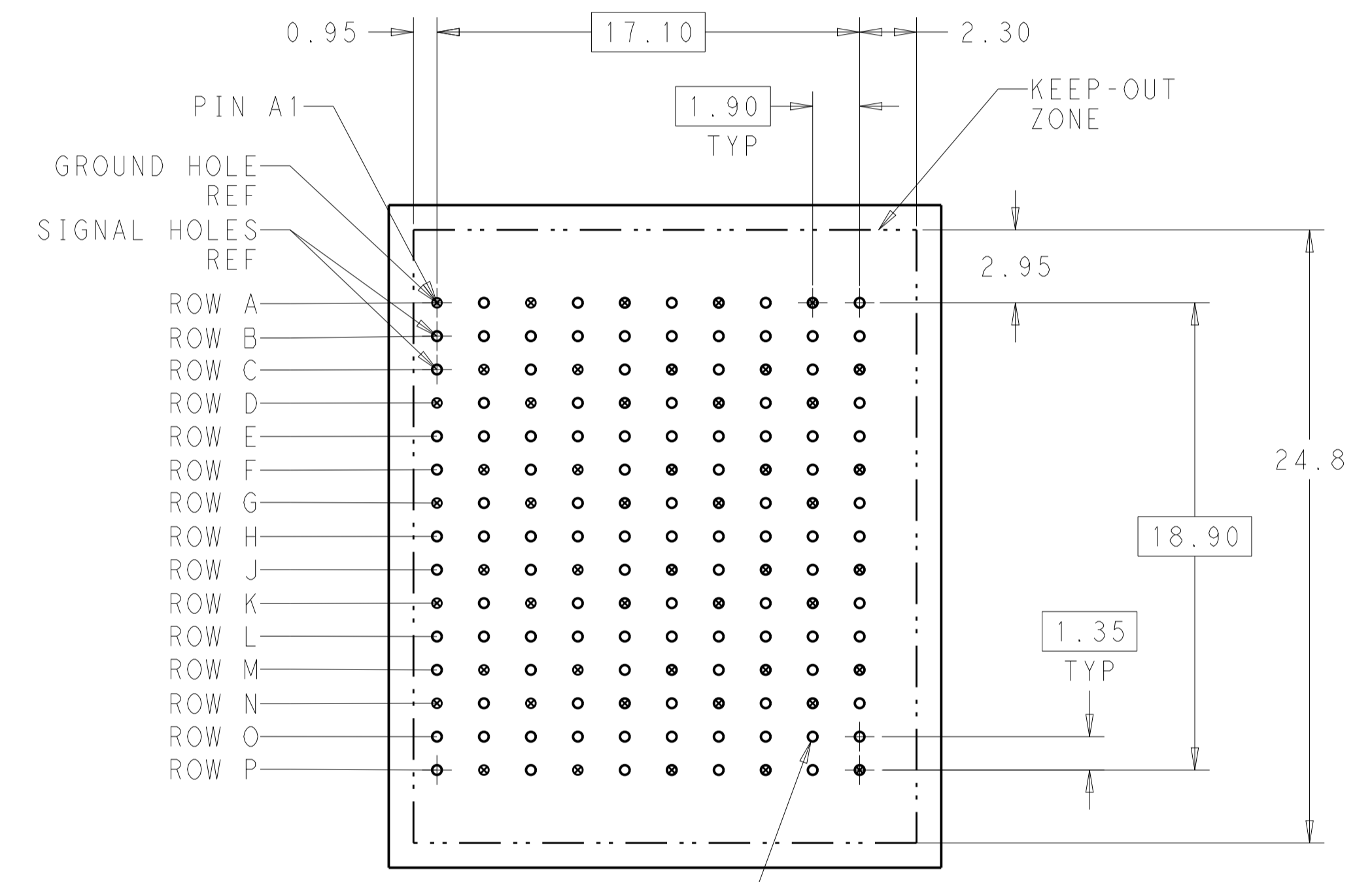


REVISIONS				
REV	LTN	DESCRIPTION	DATE	APV
C		REVISED PER ECO-14-000933	28JAN2014	AP DD

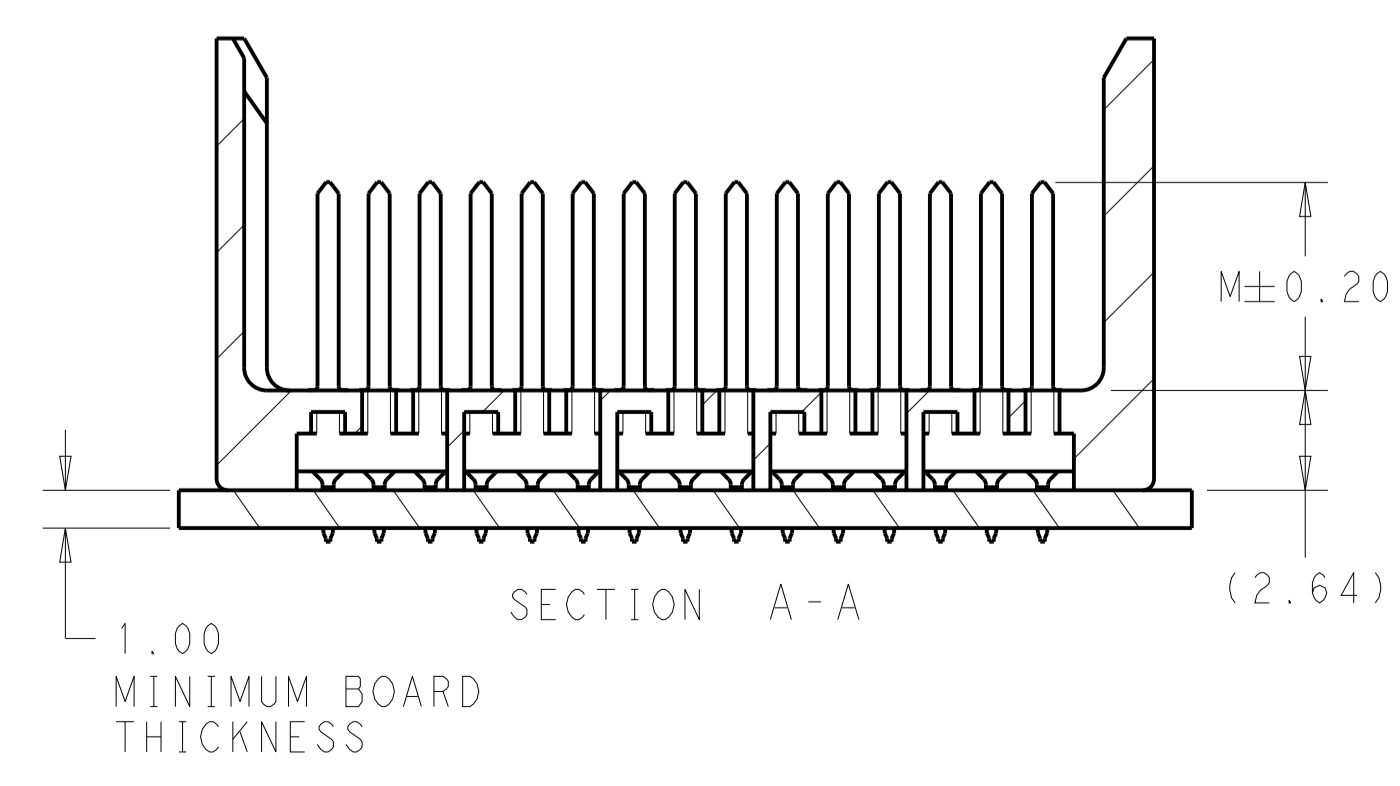
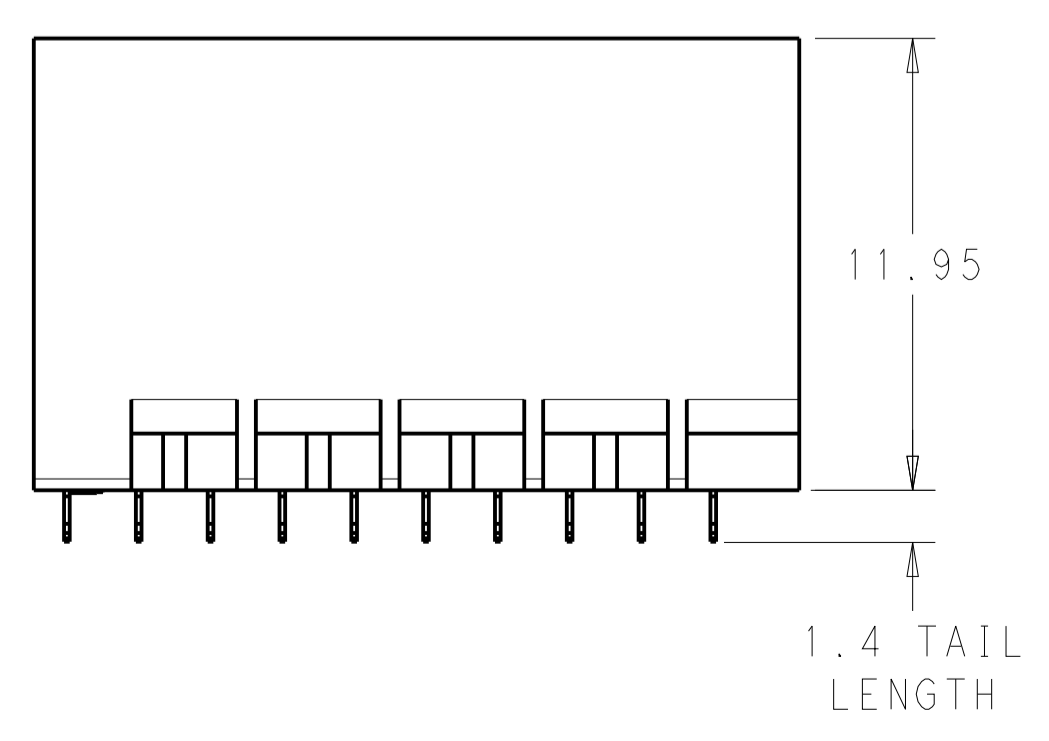


- 1 MATERIAL:  
HOUSING: LCP, GLASS FILLED, UL94V-0.  
TERMINALS: HIGH PERFORMANCE COPPER ALLOY.
- 2 FINISH:  
30µ" MIN GOLD IN CONTACT AREA. SELECTIVE TIN ON PCB TAILS, NICKEL OVERALL.
- 3 FINISH:  
30µ" MIN GOLD IN CONTACT AREA. SELECTIVE TIN-LEAD ON PCB TAILS, NICKEL OVERALL.



150X  $\phi 0.39 \pm 0.05$   
 $\phi 0.10$   
 PLATED THRU HOLE

UNGUIDED  
 BACKPLANE HOLE PATTERN  
 (CONNECTOR SIDE)



THIS DRAWING IS A CONTROLLED DOCUMENT.		DWN J. K. SHOBER 13JAN2011 CHK J. EARY 13JAN2011 APVD J. EARY 13JAN2011	TE Connectivity
DIMENSIONS: mm 	TOLERANCES UNLESS OTHERWISE SPECIFIED: 0 PLC ± 1 PLC ±0.25 2 PLC ±0.13 3 PLC ± 4 PLC ± ANGLES ± FINISH SEE TABLE	NAME IMPACT, 5 PAIR, 10 COLUMN, HEADER UNGUIDED, RIGHT END WALL SIGNAL MODULE, 0.39 PTH SIZE CAGE CODE DRAWING NO. RESTRICTED TO A100779C=2007855 WEIGHT CUSTOMER DRAWING SCALE 5:1 SHEET 1 OF 2 REV C	

THIS DRAWING IS UNPUBLISHED. RELEASED FOR PUBLICATION 20  
 © COPYRIGHT 20 . ALL RIGHTS RESERVED.

REVISIONS					
P.	LTN	DESCRIPTION	DATE	DMN	APVD
-	-	SEE SHEET 1	-	-	-

	5.5	2007855-6
	4.9	2007855-5
	4.5	2007855-4
	5.5	2007855-3
	4.9	2007855-2
	4.5	2007855-1
FINISH	DIM M	PART NUMBER

REFER TO WWW.TE.COM  
 FOR PRODUCT AVAILABILITY

THIS DRAWING IS A CONTROLLED DOCUMENT.		DMN J. K. SHOBER 13JAN2011	
DIMENSIONS: mm		CHK J. EARY 13JAN2011	
TOLERANCES UNLESS OTHERWISE SPECIFIED: 0 PLC ± 1 PLC ±0.25 2 PLC ±0.13 3 PLC ± 4 PLC ±		APVD J. EARY 13JAN2011	NAME IMPACT, 5 PAIR, 10 COLUMN, HEADER UNGUIDED, RIGHT END WALL SIGNAL MODULE, 0.39 PTH
ANGLES FINISH SEE TABLE		PRODUCT SPEC -	RESTRICTED TO
MATERIAL -		APPLICATION SPEC -	SIZE A1
CUSTOMER DRAWING		WEIGHT -	CAGE CODE 00779
		SCALE 5:1	DRAWING NO 2007855
		SHEET 2	OF 2
		REV C	

单击下面可查看定价，库存，交付和生命周期等信息

[>>TE Connectivity\(泰科\)](#)