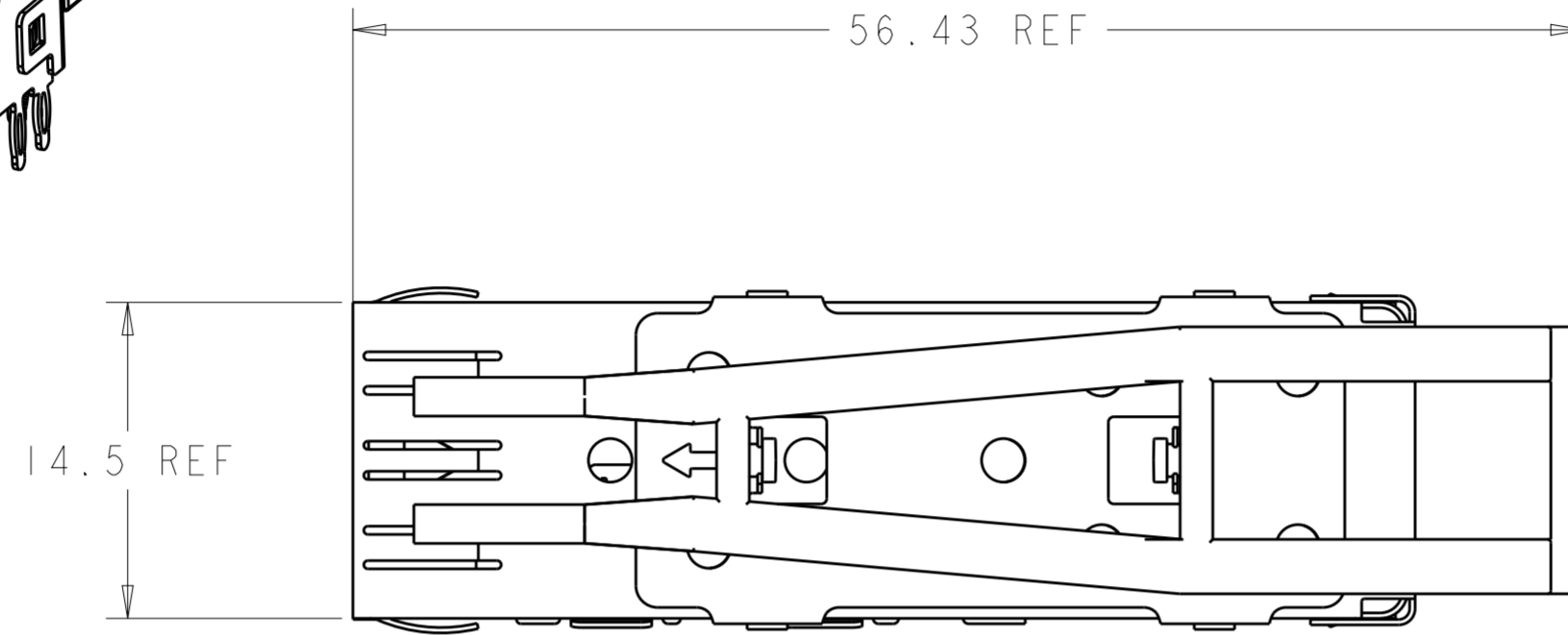
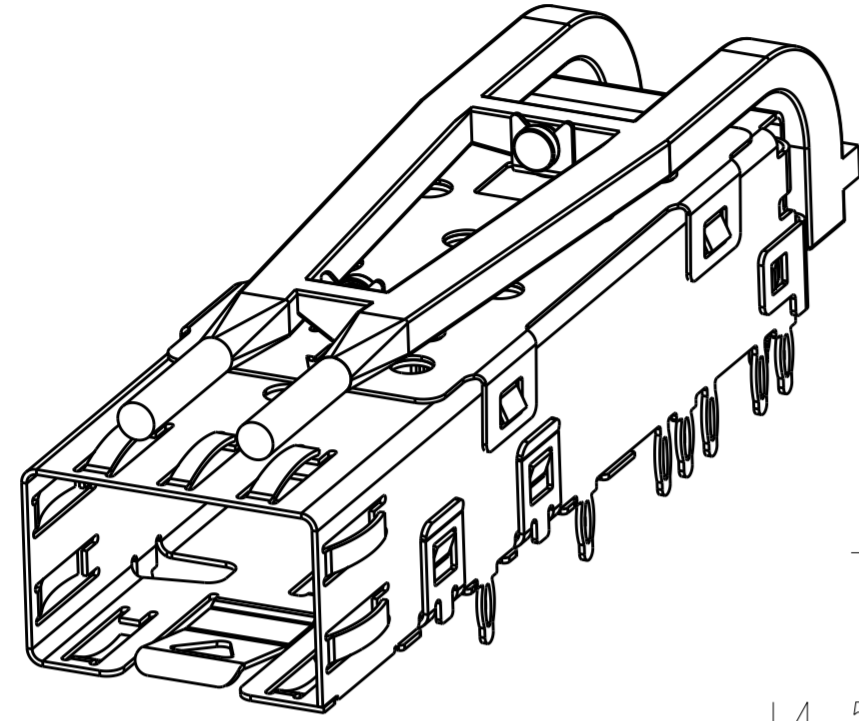
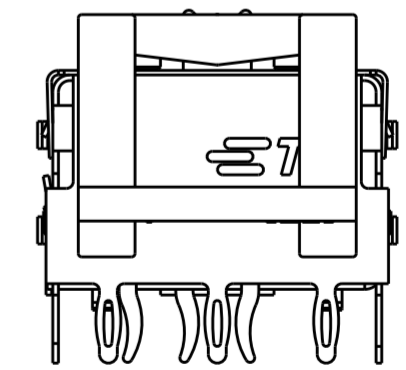
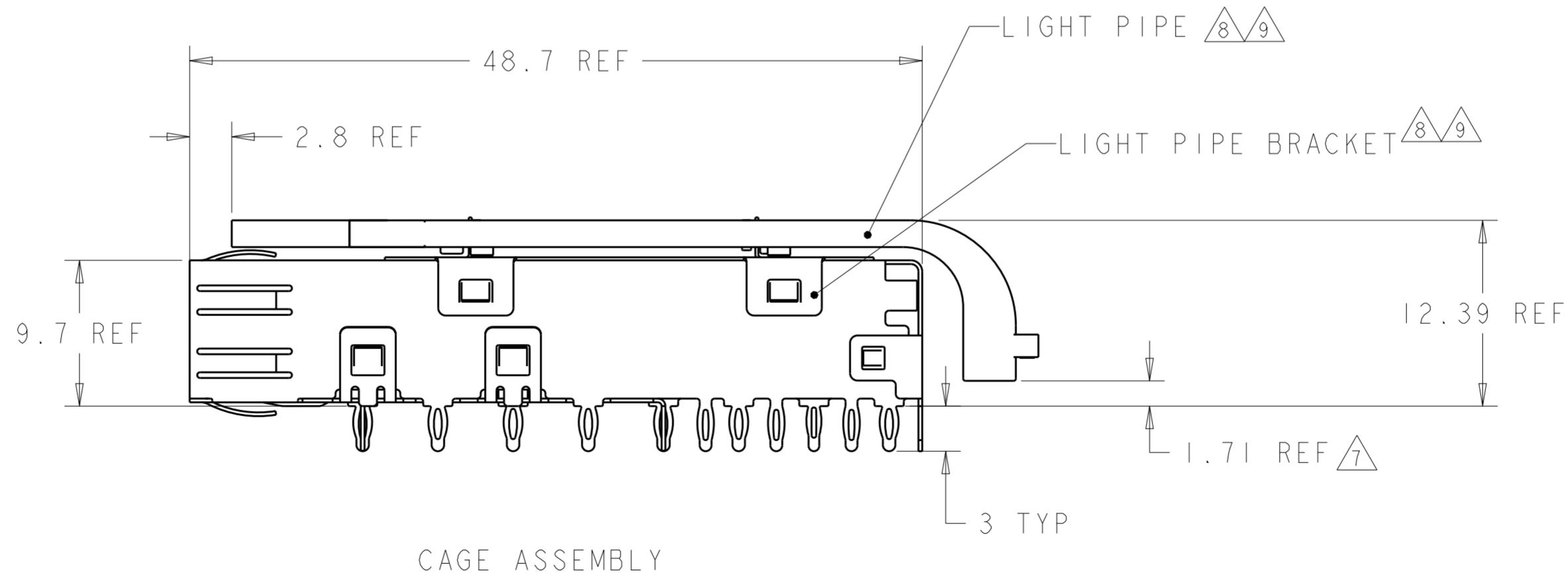
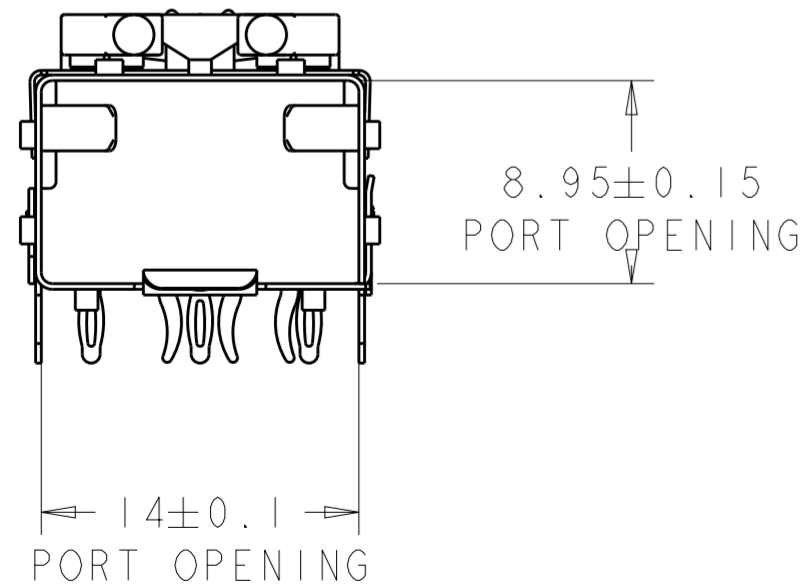


THIS DRAWING IS UNPUBLISHED. RELEASED FOR PUBLICATION 20
 © COPYRIGHT 20 ALL RIGHTS RESERVED.

LOC	DIST	REVISIONS					
GP	00	P	LTR	DESCRIPTION	DATE	DWN	APVD
		1		INITIAL	20DEC2013	JW	SH
		A		REVISED PER ECO-15-012974	10SEP2015	JW	SH



- ① MATERIAL:
 CAGE: STAINLESS STEEL.
 LIGHTPIPE: POLYCARBONATE, CLEAR
 LIGHTPIPE BRACKET: STAINLESS STEEL.
- ② FINISH:
 CAGE: NICKEL. NONPLATED EDGES PERMISSABLE.
- 3. MATES WITH SFP MSA COMPLIANT TRANSCEIVERS.
- ④ PADS AND VIAS CHASSIS GROUND.
- ⑤ DATUM AND BASIC DIMENSIONS ESTABLISHED BY CUSTOMER.
- 6. MINIMUM PC BOARD THICKNESS:
 SINGLE SIDED: 1.50 mm
 (SHOWN ON SHEET 4).
- ⑦ MAX HEIGHT OF LED OFF BOARD IS NOT TO EXCEED 1.14mm.
- ⑧ LIGHT PIPE AND LIGHT PIPE BRACKET SHIPPED ASSEMBLED.
- ⑨ LIGHT PIPE ASSEMBLY SHIPPED UNASSEMBLED TO CAGE ASSEMBLY. CAGE ASSEMBLY TO BE PRESSED INTO THE PCB PRIOR TO ATTACHING THE LIGHT PIPE ASSEMBLY TO THE CAGE.



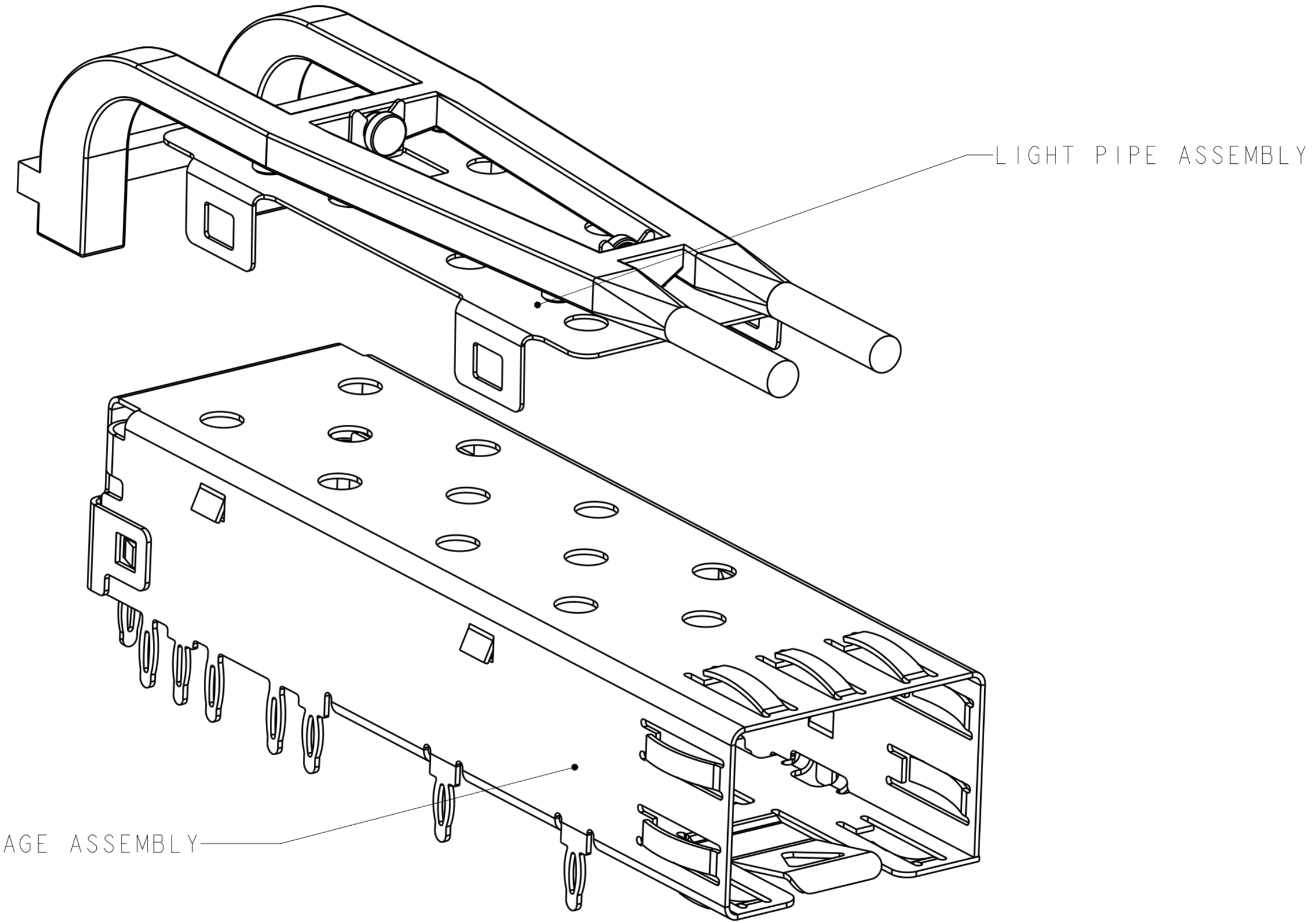
2170614-1
 PART NUMBER

CAGE ASSEMBLY


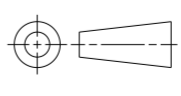
THIS DRAWING IS A CONTROLLED DOCUMENT.		DWN J. WANG 20DEC2013	TE Connectivity	
		CHK S. HAN 20DEC2013		
		APVD S. HAN 20DEC2013	NAME CAGE ASSEMBLY, 20 PRESS FIT, SFP	
DIMENSIONS: mm		PRODUCT SPEC 108-1950		SIZE A200779
TOLERANCES UNLESS OTHERWISE SPECIFIED:		APPLICATION SPEC 114-13120		CAGE CODE C-2170614
0 PLC ±0.1		WEIGHT -		RESTRICTED TO -
1 PLC ±0.1		Customer Drawing		SCALE 3:1
2 PLC ±0.1		SHEET 1 OF 4		REV A
3 PLC ±0.05				
4 PLC ±0.05				
ANGLES ±				
FINISH				

THIS DRAWING IS UNPUBLISHED. RELEASED FOR PUBLICATION 20
 © COPYRIGHT 20 ALL RIGHTS RESERVED.

LOC	DIST	REVISIONS					
GP	00	P	LTR	DESCRIPTION	DATE	DWN	APVD
		-		SEE SHEET 1	-	-	-

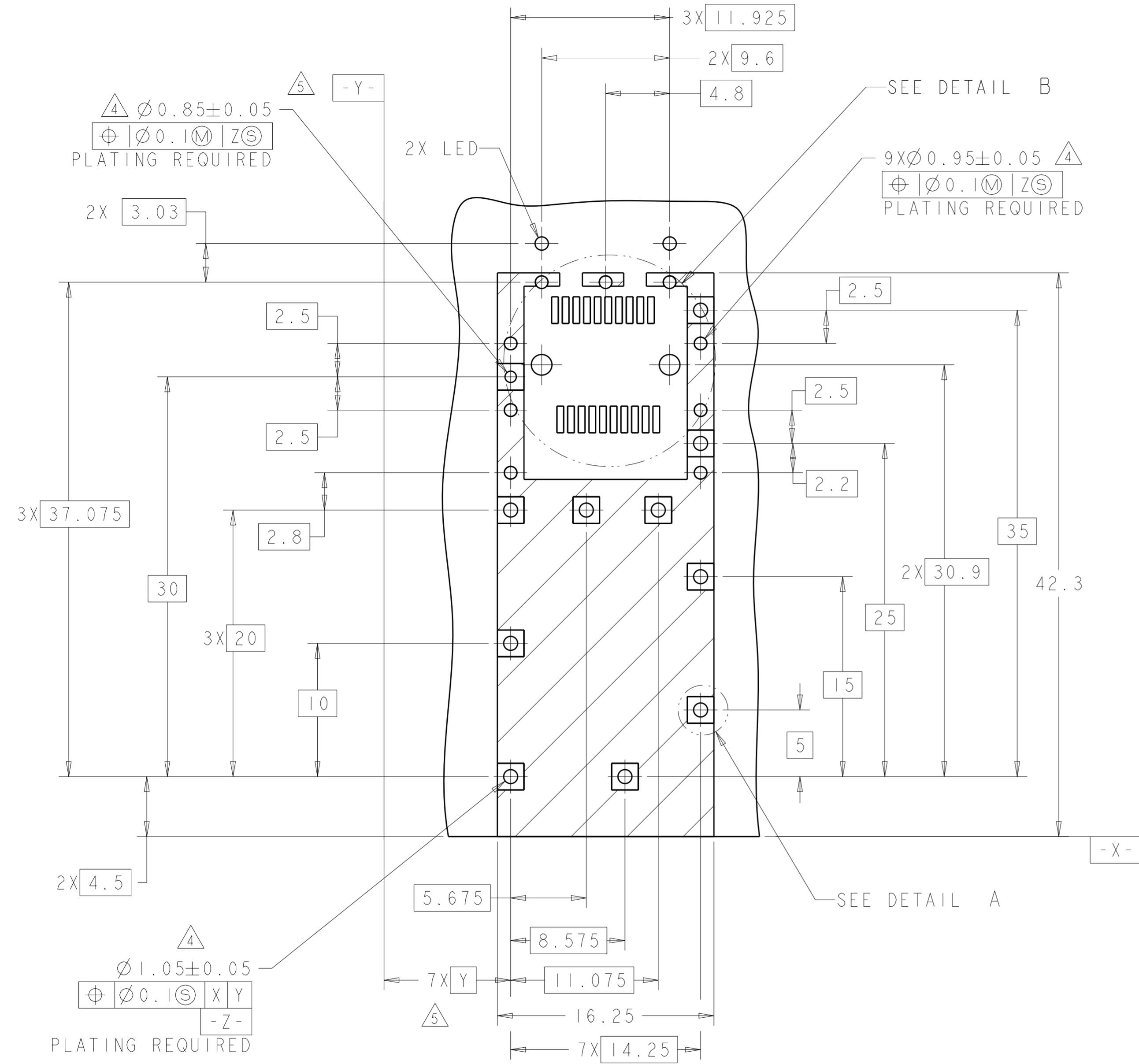


EXPLODED VIEW
SCALE 5:1

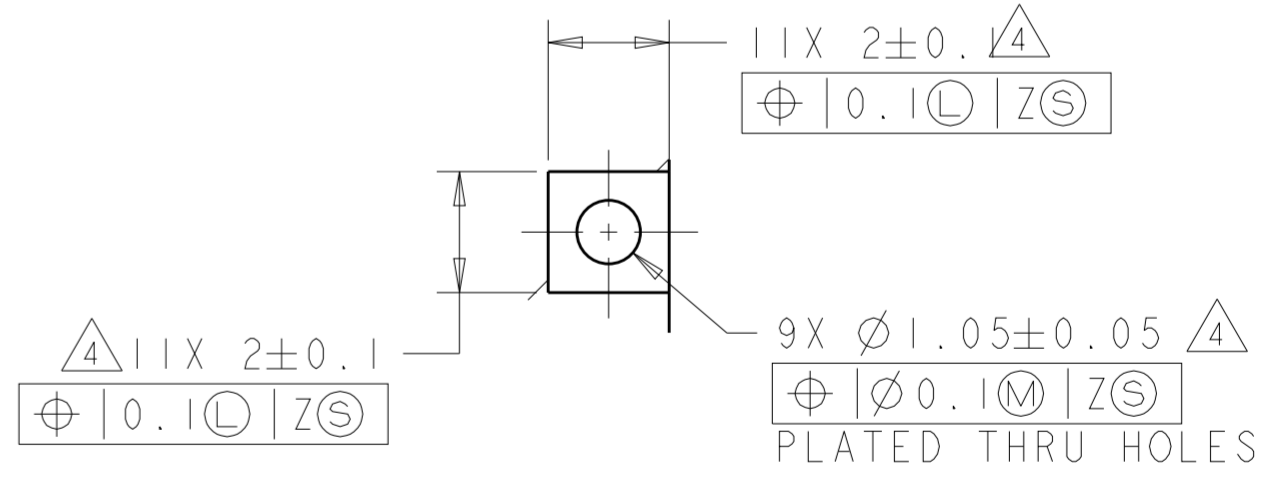
THIS DRAWING IS A CONTROLLED DOCUMENT.		DWN	J. WANG	20DEC2013	 TE Connectivity	
DIMENSIONS:		CHK	S. HAN	20DEC2013		
mm		APVD	S. HAN	20DEC2013		
		PRODUCT SPEC	108-1950			
TOLERANCES UNLESS OTHERWISE SPECIFIED:		APPLICATION SPEC	114-13120		NAME	CAGE ASSEMBLY, 20 PRESS FIT, SFP
0 PLC ±0.1		WEIGHT	-		SIZE	A200779
1 PLC ±0.1		Customer Drawing	SCALE	3:1	CAGE CODE	C-2170614
2 PLC ±0.1			SHEET	2	DRAWING NO	OF 4
3 PLC ±0.05			REV	A	RESTRICTED TO	-
4 PLC ±0.05						
ANGLES ±						
FINISH						

THIS DRAWING IS UNPUBLISHED. RELEASED FOR PUBLICATION 20
 © COPYRIGHT 20 ALL RIGHTS RESERVED.

LOC	DIST	REVISIONS					
GP	00	P	LTR	DESCRIPTION	DATE	DWN	APVD
		-		SEE SHEET 1			



DESIGN APPROVED THIS PRINT IS
PRELIMINARY
 TO FIRST PIECE APPROVAL
 CONTACT PRODUCT ENGINEERING
 BEFORE USING THIS PRINT



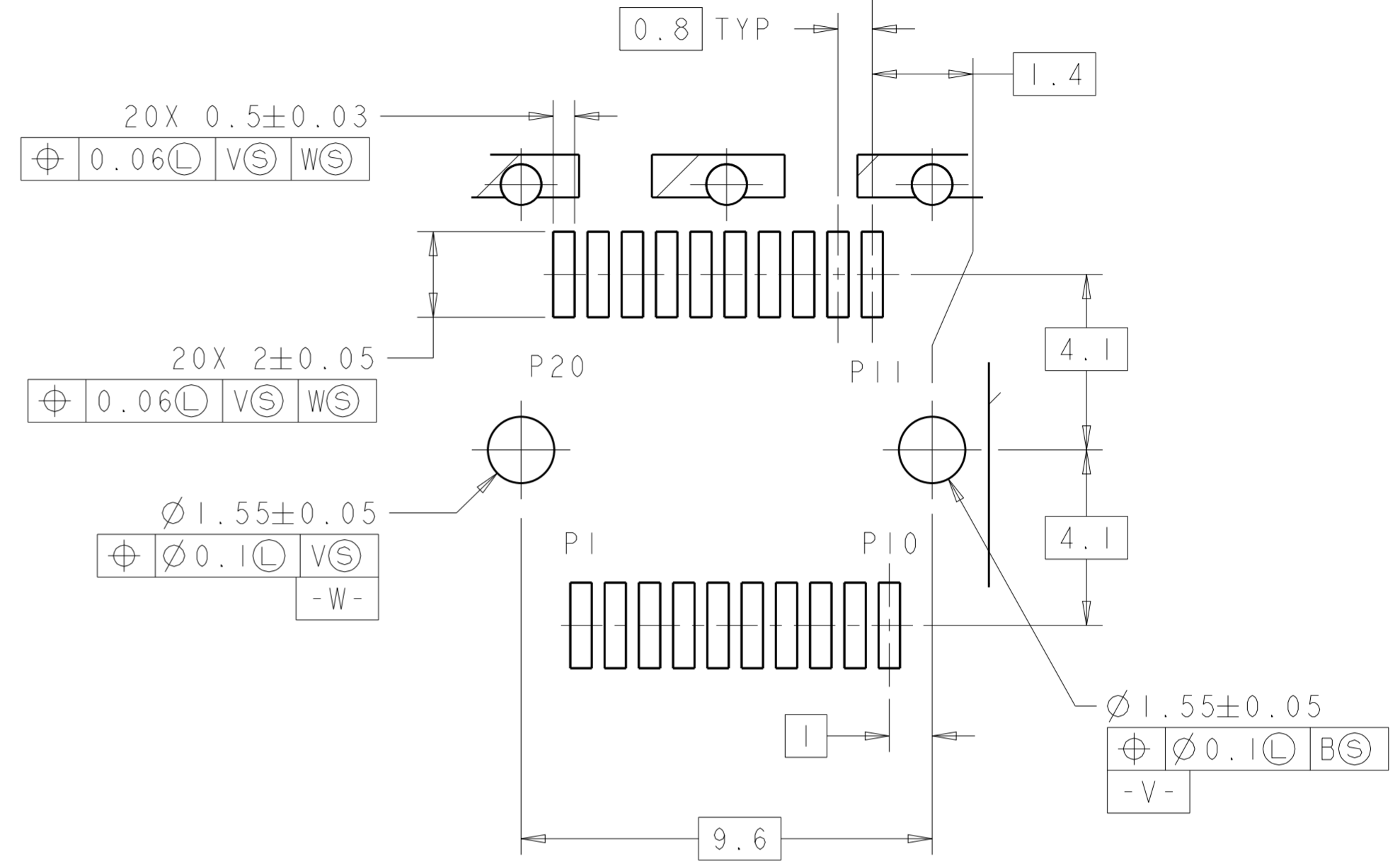
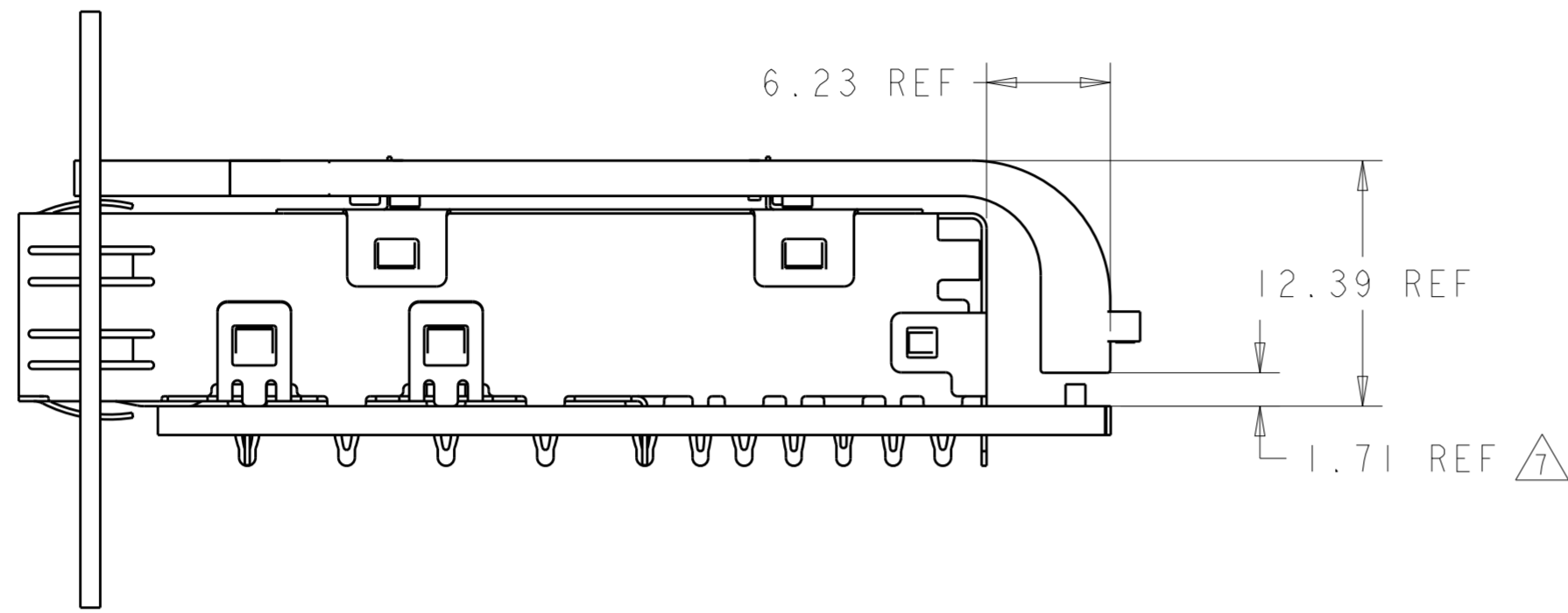
DETAIL A
 SCALE 8:1

RECOMMENDED PC BOARD LAYOUT
 SCALE 4:1

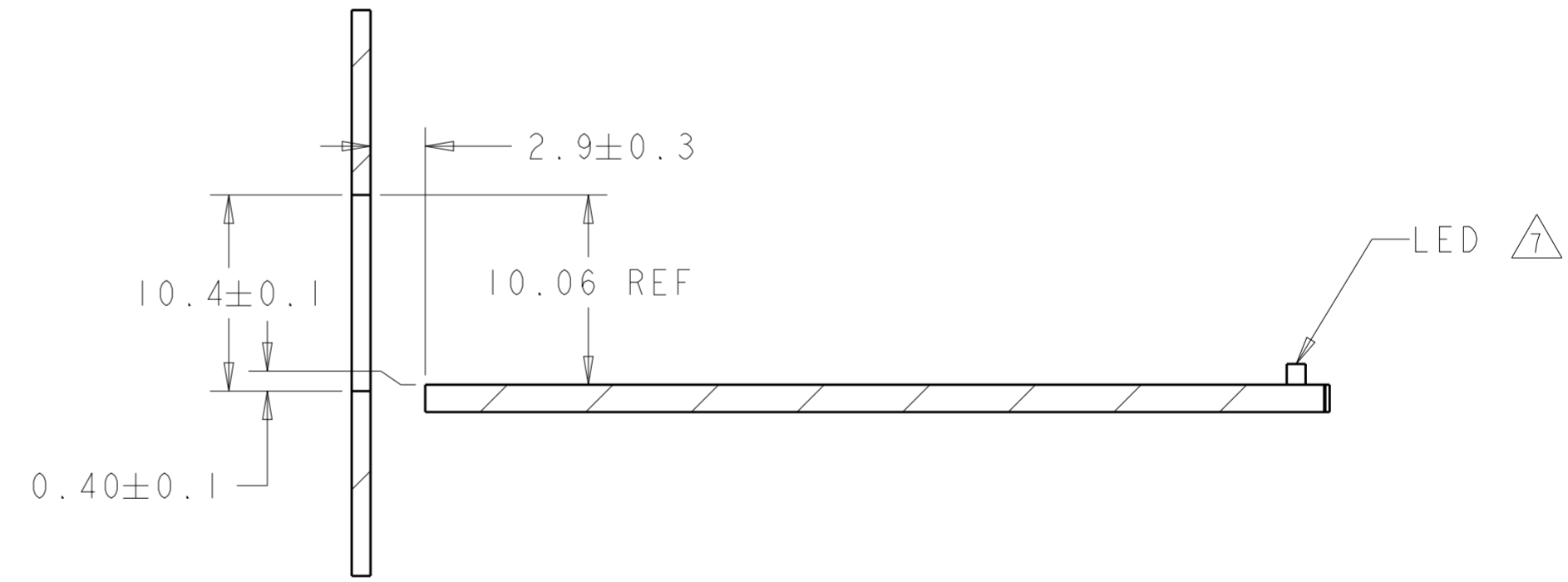
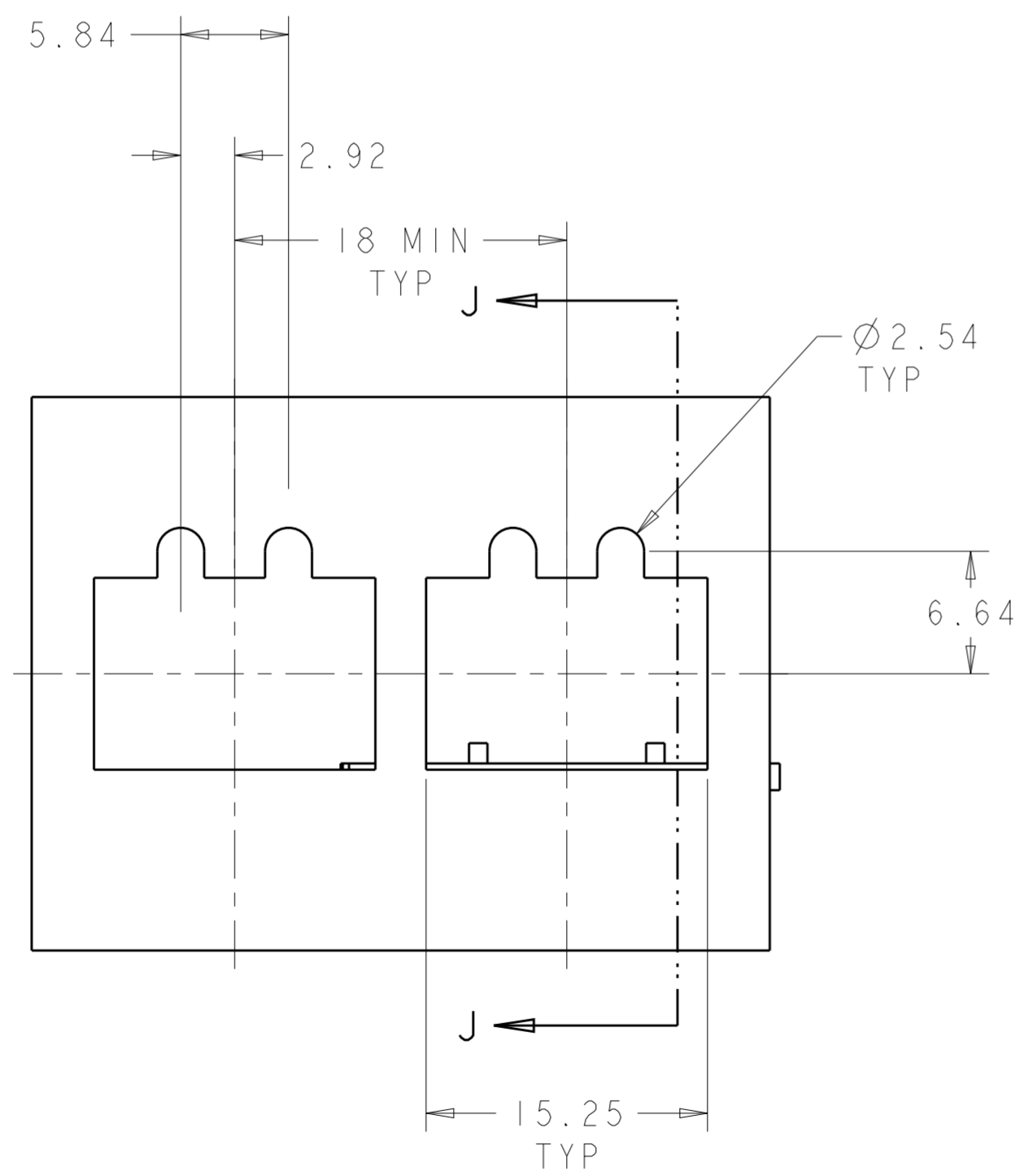
THIS DRAWING IS A CONTROLLED DOCUMENT.		DWN J. WANG 20DEC2013	TE Connectivity	
DIMENSIONS: mm		CHK S. HAN 20DEC2013		
TOLERANCES UNLESS OTHERWISE SPECIFIED:		APVD S. HAN 20DEC2013	NAME CAGE ASSEMBLY, 20 PRESS FIT, SFP	
0 PLC ±0.1 1 PLC ±0.1 2 PLC ±0.1 3 PLC ±0.05 4 PLC ±0.05 ANGLES ± FINISH		PRODUCT SPEC 108-1950	RESTRICTED TO	
MATERIAL		APPLICATION SPEC 114-13120	SIZE A200779	DRAWING NO. C-2170614
		WEIGHT	SCALE 3:1	SHEET 3 OF 4
		Customer Drawing	REV A	

THIS DRAWING IS UNPUBLISHED. RELEASED FOR PUBLICATION 20
 © COPYRIGHT 20 ALL RIGHTS RESERVED.

LOC	DIST	REVISIONS			
P	LTR	DESCRIPTION	DATE	DWN	APVD
GP	00	SEE SHEET 1	-	-	-



DETAIL B
SCALE 8:1



SECTION J-J

THIS DRAWING IS A CONTROLLED DOCUMENT.		DWN J. WANG 20DEC2013	 TE Connectivity	NAME CAGE ASSEMBLY, 20 PRESS FIT, SFP	
DIMENSIONS: mm		CHK S. HAN 20DEC2013		PRODUCT SPEC 108-1950	
TOLERANCES UNLESS OTHERWISE SPECIFIED:		APVD S. HAN 20DEC2013		APPLICATION SPEC 114-13120	
0 PLC ±0.1 1 PLC ±0.1 2 PLC ±0.1 3 PLC ±0.05 4 PLC ±0.05 ANGLES ± FINISH		MATERIAL		SIZE A200779	CAGE CODE C-2170614
		Customer Drawing	SCALE 3:1	SHEET 4 OF 4	REV A

单击下面可查看定价，库存，交付和生命周期等信息

[>>TE Connectivity\(泰科\)](#)