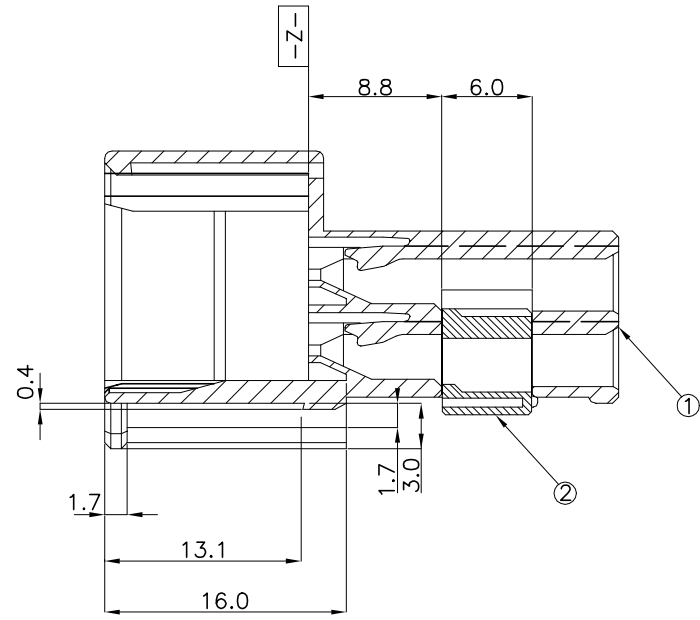
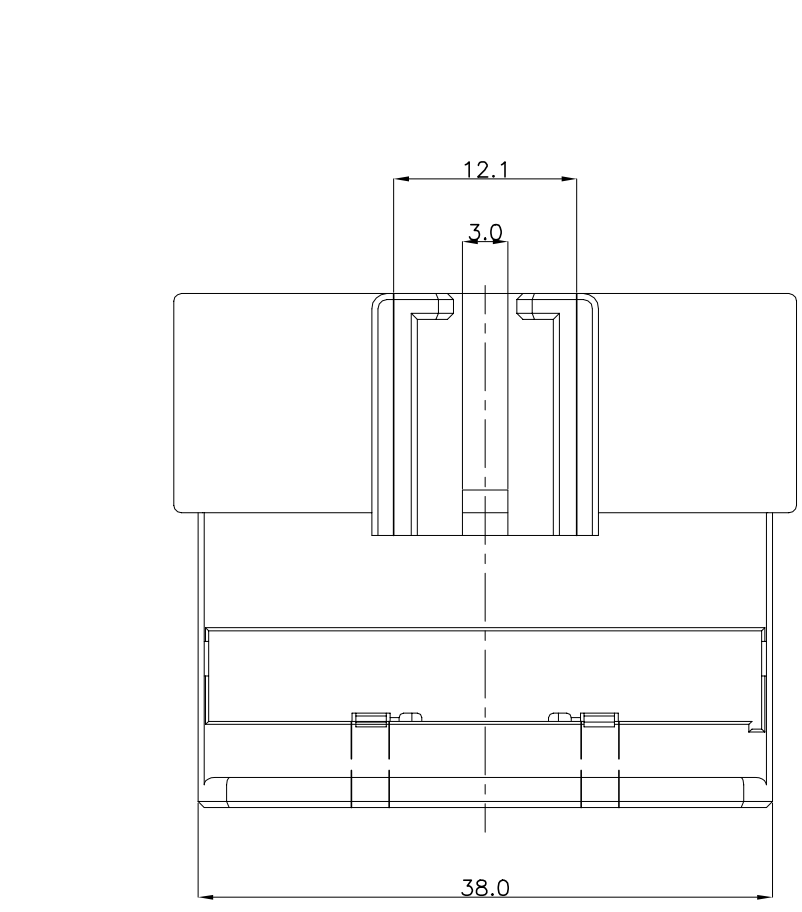
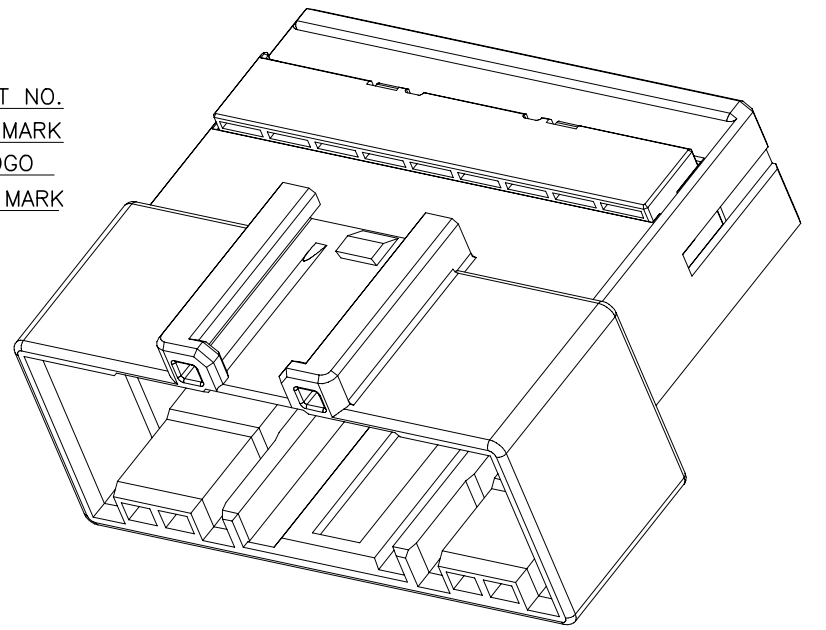
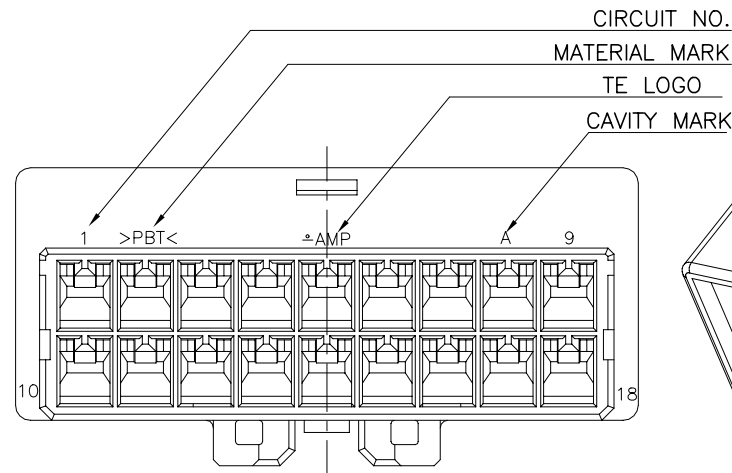
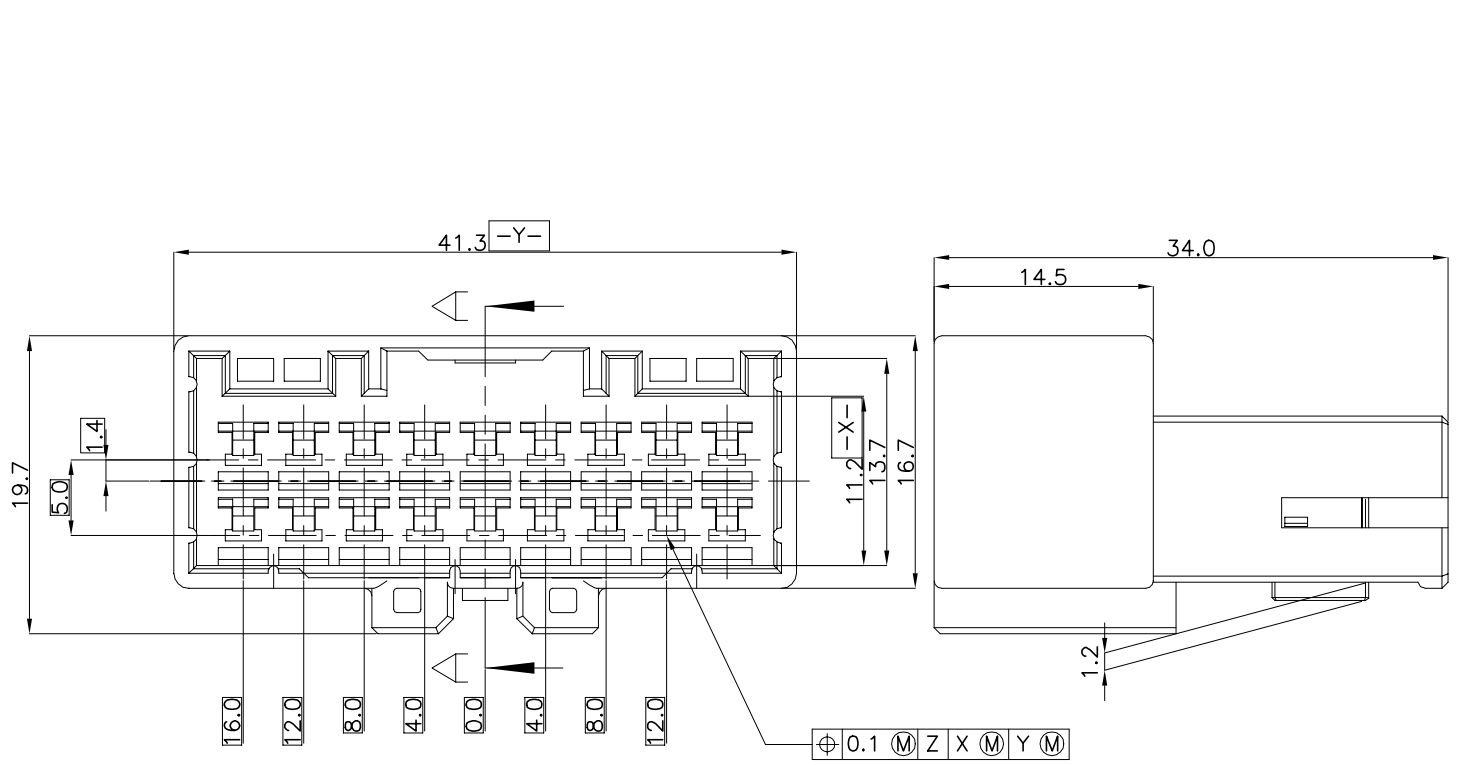


REVISIONS					
P	LTR	DESCRIPTION	DATE	DWN	APVD
	A2	REVISED ECR-20-006447	17JUL2020	VI	SPB



NOTES.  
 1. THE MATING HSG. P/N ; 936204  
 2. APPLIED CONTACT P/N ; 090 II TAB.- 368086,368087,368088,1897752

-주기-  
 1. 상대 하우징 P/N. ; 936204  
 2. 적용단자 P/N. ; 090 II TAB.- 368086,368087,368088,1897752

ASSY P/N	QTY	STATUS
0-936213-8	1	OBSOLETE
0-936213-7	1	OBSOLETE
0-936213-6	1	OBSOLETE
0-936213-5	1	OBSOLETE
0-936213-4	1	OBSOLETE
0-936213-3	1	OBSOLETE
0-936213-2	1	OBSOLETE
0-936213-1	1	OBSOLETE

NO	COLOR	MATERIAL	DESCRIPTION	P/N	QTY
1	BLUE	PBT	CAP	0-936214-8	1
	GREEN	PBT	CAP	0-936214-7	1
	RED	PBT	CAP	0-936214-6	1
	YELLOW	PBT	CAP	0-936214-5	1
	BROWN	PBT	CAP	0-936214-4	1
	D/GRAY	PBT	CAP	0-936214-3	1
	BLACK	PBT	CAP	0-936214-2	1
	NATURAL	PBT	CAP	0-936214-1	1
2	NATURAL	PBT	DBL	0-936206-1	1 1 1 1 1 1 1 1

TOLERANCES UNLESS OTHERWISE SPECIFIED:

0 <XXX<10	± 0.2
10<XXX<30	± 0.25
30<XX	± 0.3
ANGLES	± 3°

THIS DRAWING IS A CONTROLLED DOCUMENT.

DIMENSIONS:	TOLERANCES UNLESS OTHERWISE SPECIFIED:
mm	0 PLC ± -
	1 PLC ± -
	2 PLC ± -
	3 PLC ± -
	4 PLC ± -
	ANGLES ± -
MATERIAL	FINISH
SEE TABLE	-

DWN: KT JUNG  
 CHK: JW JUNG  
 APVD: HG CHO  
 PRODUCT SPEC: -  
 APPLICATION SPEC: -  
 WEIGHT: 0

**TE** TE Connectivity

NAME: 090III 18P CAP ASS'Y

SIZE: A3 CAGE CODE: 00779 DRAWING NO: 936213 RESTRICTED TO: -

CUSTOMER DRAWING SCALE: 1:1 SHEET: 1 of 1 REV: A2

单击下面可查看定价，库存，交付和生命周期等信息

[>>TE Connectivity\(泰科\)](#)