

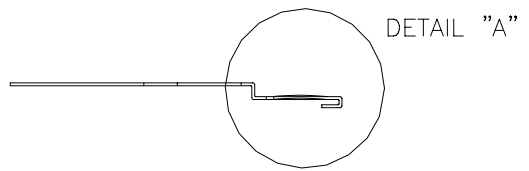
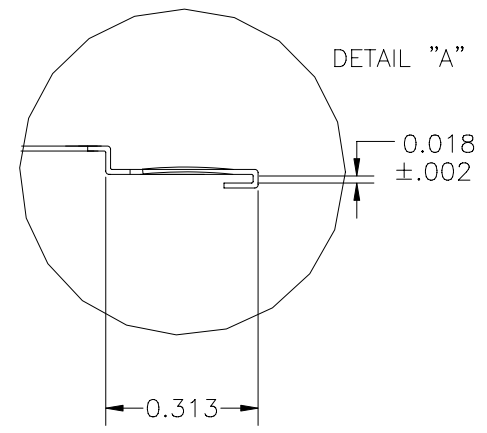
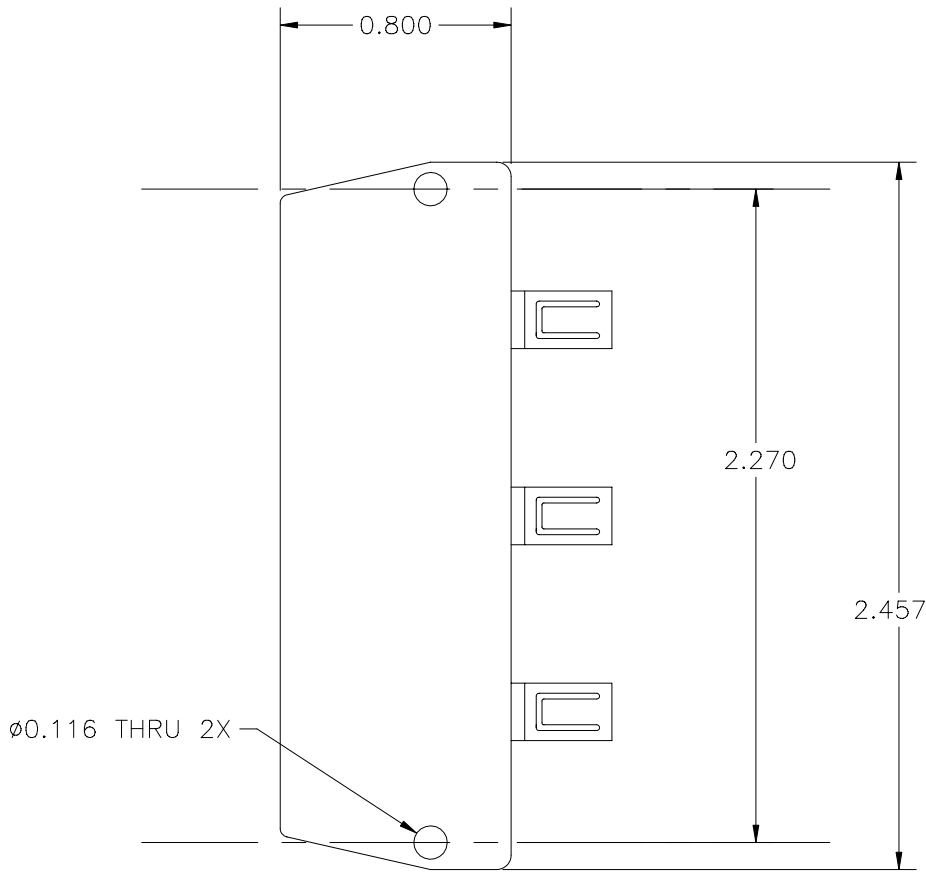
4

3

2

1

REVISIONS			
LTR	DESCRIPTION	DATE	APPROVED
N/C	RELEASED PER ECN T-20873		



© Raychem Corporation 1988

SPECIFICATION CONTROL DRAWING

**If this document is printed it becomes uncontrolled.
Check with the web for latest revision.**

NOTES:
1. NICKEL PLATE PER MIL-C-26074, CLASS 2, .000150/.000250 THICKNESS.

UNLESS OTHERWISE SPECIFIED DIMENSIONS ARE IN INCHES. METRIC DIMENSIONS ARE IN BRACKETS. DECIMALS .XXX ± .005 [mm .XX ± .01 [mm ANGLES .X ± 1° MATERIAL Be Cu 172A 0.010 THICKNESS	DRAWN	TIMM	04/16/96	Raychem <small>RAYCHEM CORPORATION 300 CONSTITUTION DRIVE MENLO PARK, CALIFORNIA 94025</small>			
	CHECKED						TITLE
	APPROVED				BUSBAR, 2" FOR PLUG SHELL GROUNDING BLOCK		
	PCN	156773-000		CAD NAME	\010058.DWG		
THIRD ANGLE PROJECTION				SIZE	CODE IDENT. NO.	DWG. NO.	REV
				C	06090	CHA-0292	N/C
DO NOT SCALE THIS DRAWING						SHEET 1 OF 1	

4

2

1

SHEET 1
CHA-0292
DWG NO.

单击下面可查看定价，库存，交付和生命周期等信息

[>>TE Connectivity\(泰科\)](#)