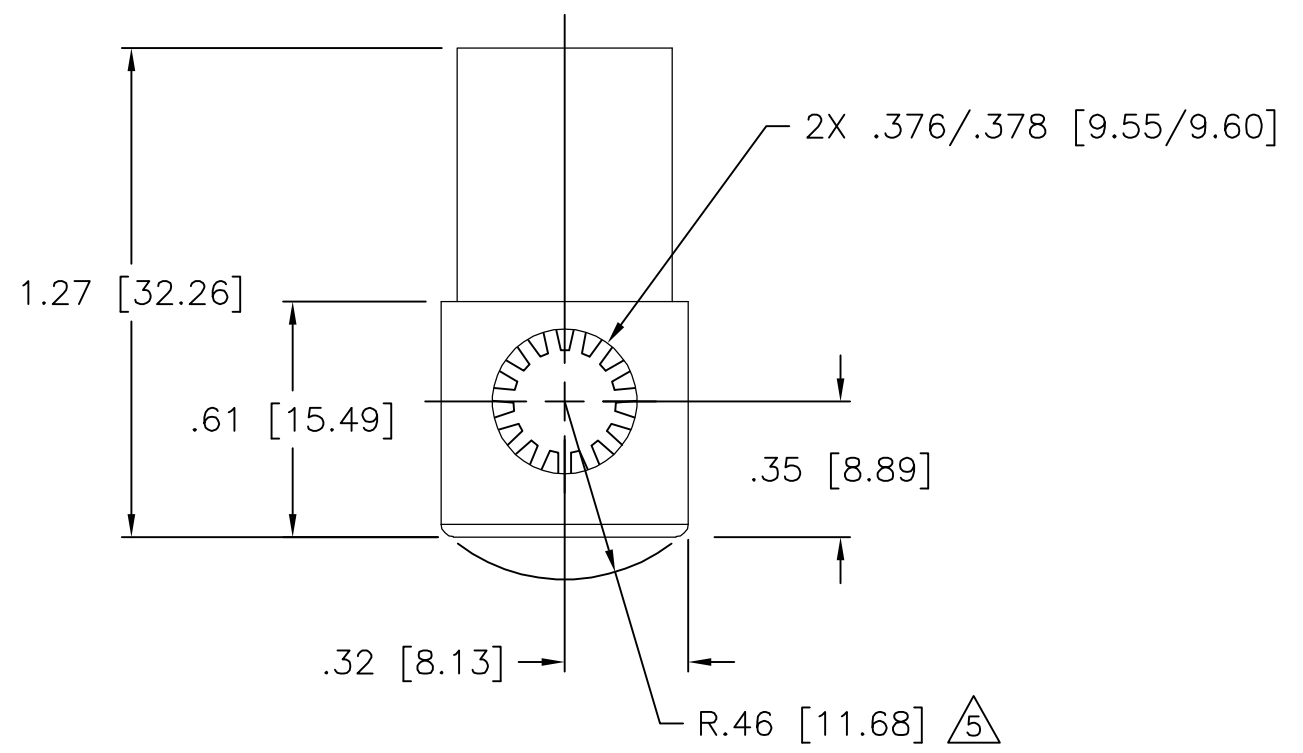
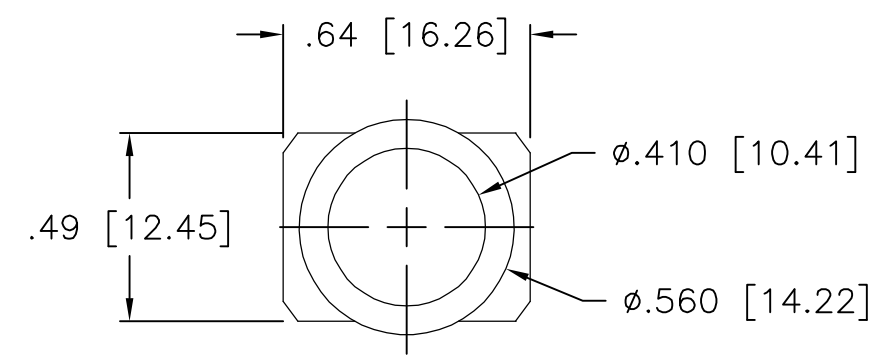


THIS DRAWING IS UNPUBLISHED. RELEASED FOR PUBLICATION
 © COPYRIGHT - BY TYCO ELECTRONICS CORPORATION. ALL RIGHTS RESERVED.

| LOC | DIST | REVISIONS | | | | | |
|-----|------|-----------|-----|-------------|---------|-----|------|
| GP | 00 | P | LTR | DESCRIPTION | DATE | DWN | APVD |
| | | | A | RELEASED | 02MAR06 | RG | MP |



- 6. FOR TERMINATION REFER TO 1926079-1
- △ 5 ROTATION ARC.
- 4. FINISH:
 SOCKET HOUSING - SILVER PLATED .000200 MIN THK.
 OVER ELECTROLESS NICKEL PLATE .000040 MIN THK.
 CROWN - GOLD PLATED .000030 MIN THK OVER
 ELECTROLESS NICKEL PLATE .000040 MIN. THK
- 3. MATERIAL:
 CROWN CONTACT - BERYLLIUM COPPER
 SOCKET HOUSING - TELLURIUM COPPER ALLOY
 INSULATOR - THERMOPLASTIC, 94V-0, COLOR PER TABLE
- 2. ITEMS PROVIDED TO THIS SPECIFICATION SHALL BE IDENTIFIED ON THE CONTAINER WITH THE FOLLOWING INFORMATION:
 PART NUMBER AND DATE CODE OF MANUFACTURE.
- 1. PART NUMBER CHANGES AND/OR DESIGN CHANGES AFFECTING ITEM INTERCHANGEABILITY REQUIRE PRIOR TYCO APPROVAL AND AUTHORIZATION BY REVISION TO THIS DRAWING.

| | |
|-------|-------------|
| BLUE | 6648238-3 |
| RED | 6648238-2 |
| BLACK | 6648238-1 |
| COLOR | PART NUMBER |

| | | | | |
|--|--|----------------------------------|--|--------------|
| THIS DRAWING IS A CONTROLLED DOCUMENT. | | DWN R.GRZYBOWSKI 03MAR2006 | Tyco Electronics Corporation Harrisburg, PA 17105-3608 | |
| DIMENSIONS: INCHES | TOLERANCES UNLESS OTHERWISE SPECIFIED: | CHK M.PERCHERKE 02MAR06 | NAME JUMPER, CROWN SOCKET SIZE #2 WITH #2 CRIMP BARREL | |
| | 0 PLC ± - | APVD M.PERCHERKE 02MAR06 | PRODUCT SPEC | |
| | 1 PLC ± - | | APPLICATION SPEC | |
| | 2 PLC ± .02 | | SIZE | CAGE CODE |
| | 3 PLC ± .006 | | A3 | 00779 |
| | 4 PLC ± - | | DRAWING NO | C=6648238 |
| | ANGLES ± .5 | | RESTRICTED TO | - |
| MATERIAL | FINISH | WEIGHT | CUSTOMER DRAWING | |
| - | - | - | SCALE | 1:1 |
| RAPID LOCK | | ELCON | | SHEET 1 OF 1 |
| | | | | REV A |

单击下面可查看定价，库存，交付和生命周期等信息

[>>TE Connectivity\(泰科\)](#)