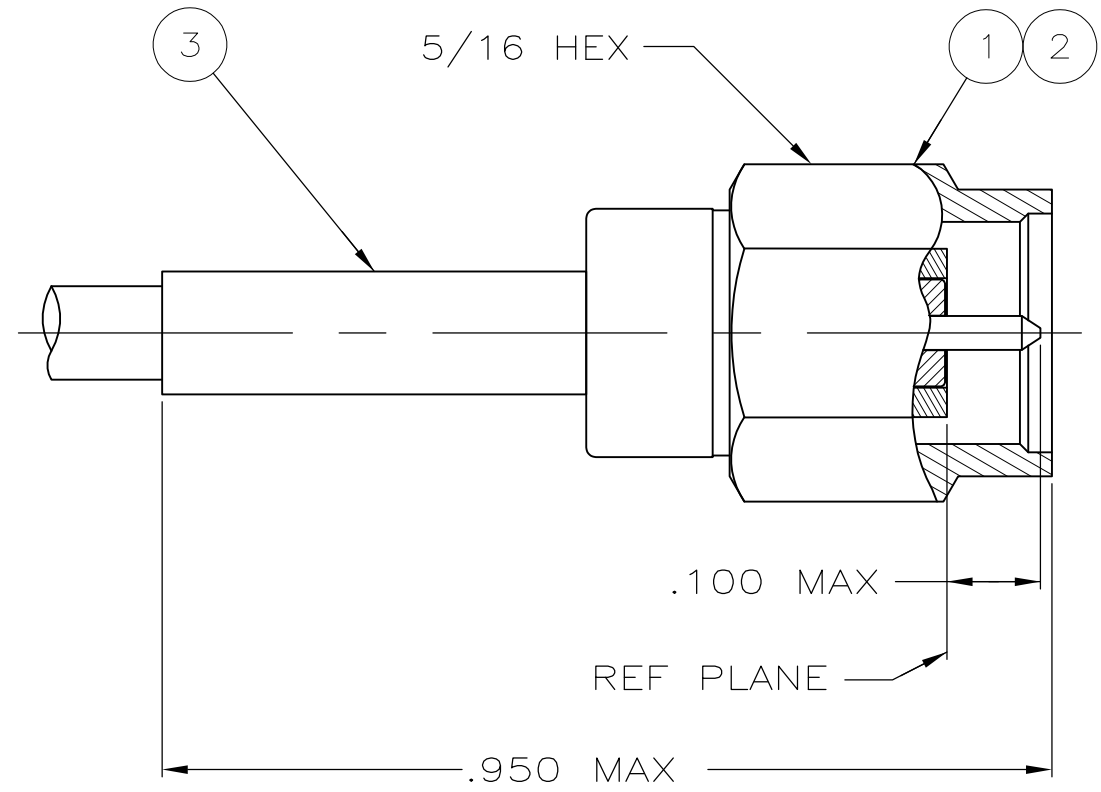
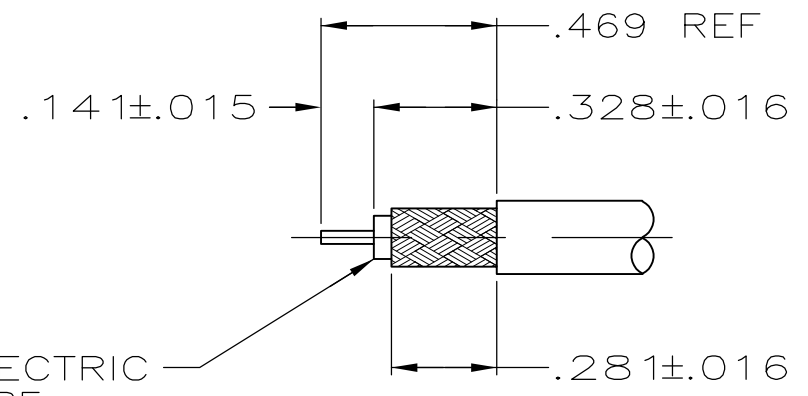


THIS DRAWING IS UNPUBLISHED. RELEASED FOR PUBLICATION
 © COPYRIGHT BY TYCO ELECTRONICS CORPORATION. ALL INTERNATIONAL RIGHTS RESERVED.

LOC	DIST	REVISIONS			
P	LTR	DESCRIPTION	DATE	DWN	APVD
AJ	16				
	D	REV PER ECO 08-032217	13JAN2009	PK	DW



1. FOR USE WITH: DOUBLE BRAID RG-188/U CABLE .120 MAX I.D.
2. CRIMP WITH TOOL: P82-35097



RECOMMENDED STRIP LENGTH
SCALE: 2:1

QTY	PART NUMBER	DESCRIPTION	ITEM
1	50285-5	FERRULE	3
1	225540-4	CONTACT	2
1	225533-2	PLUG ASSEMBLY	1

THIS DRAWING IS A CONTROLLED DOCUMENT.		DWN L.A.MOSCO 9-29-88	Tyco Electronics Corporation Harrisburg, PA 17105-3608	
DIMENSIONS: INCHES		CHK S.J.MAGARO 9/30/88	NAME	
TOLERANCES UNLESS OTHERWISE SPECIFIED:		APVD N.L.GUSTIN 11-21-88	PLUG, SERIES SMA	
0 PLC ± -	1 PLC ± -	PRODUCT SPEC -	SIZE	CAGE CODE
2 PLC ± -	3 PLC ± .008	APPLICATION SPEC -	A3	00779
4 PLC ± -	ANGLES ± -	WEIGHT .006955 LB	DRAWING NO C-1-225532-1	
MATERIAL -	FINISH -	CUSTOMER DRAWING		RESTRICTED TO -
		SCALE 5:1	SHEET 1 OF 1	REV D

单击下面可查看定价，库存，交付和生命周期等信息

[>>TE Connectivity\(泰科\)](#)