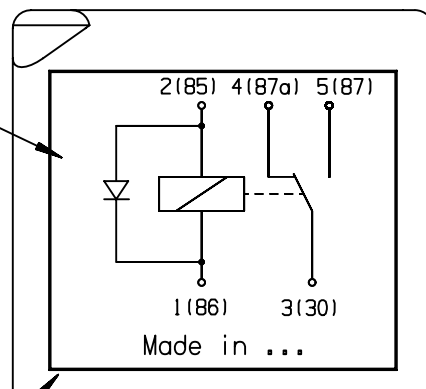


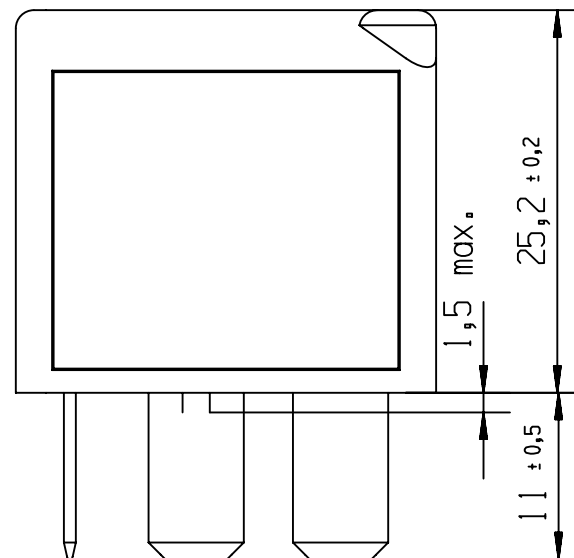
Dustproof:  
 Protection class IP 54 To IEC 529 (DIN EN 60529)  
 All plug-terminals  
 Terminals shape similar to ISO 8092-1  
 Coil Terminals 1 and 2: 6.3 x 0.8 mm  
 Load Terminals 3, 4 and 5: 6.3 x 0.8 mm  
 Integrated components: Diode

Circuit Diagram



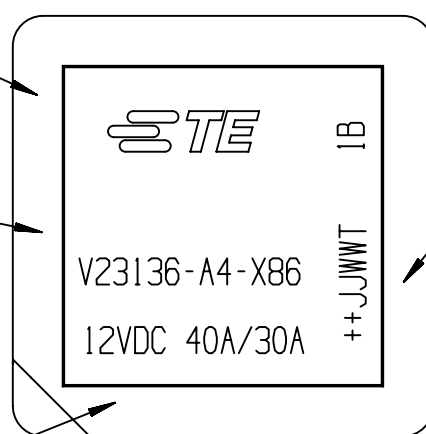
Country of Origin

1,4 max.



TE Logo

TE PN



Date Code:  
 ++ = EVORA  
 JJ = Year  
 WW = Week  
 T = Day  
 I = Assembly Line  
 B = Shift

Nominal Voltage and Contact Rating

PART	MATERIAL	COLOUR
Cover	PA 66 GF 25	Black sim. to RAL 9005
Base	PA 66 GF 25	Black sim. to RAL 9005
Coil Terminals 1 and 2	SE-Cu 57...58	Pre-tinned Sn 2...6 microns
Load terminals 3, 4 and 5	E-Cu 57...58	Pre-tinned Sn 2...6 microns

PART NUMBER	PART NAME	COUNTRY OF ORIGIN
4-1414992-7	V23136A0004X086-EV-CBOX	Portugal
7-1904112-1	V23136A0004X086-SZ-CBOX	China

PROPRIETARY THE REPRODUCTION, TRANSMISSION OR USE OF THIS DOCUMENT OR IT'S CONTENTS IS NOT PERMITTED WITHOUT EXPRESSED WRITTEN AUTHORITY. OFFENDERS WILL BE LIABLE FOR ALL DAMAGES. ALL RIGHTS, INCLUDING RIGHTS CREATED BY REGISTERED PATENT(S) GRANTED FOR A UTILITY MODEL OR DESIGN, ARE RESERVED.		CHANGES TO THIS DRAWING MUST BE DONE ONLY IN CAD	PAPER SIZE A3
APPLICABLE SPEC.:		FINISH	
TOLERANCE UNLESS SPECIFIED OTHERWISE		DIMENSIONS APPLY	PLATING
SCALE 1:1; 2:1		WEIGHT	
MATERIAL		PART NAME Power FA Change Over Relay	
DATE 15JUL2015 NAME L.Sandoval		DWG NO. V23136-A0004-X086-CD	
LOCATION PE EVORA		SHT. 1 OF 1	
B ECO-19-006975 06MAY2019 HFont	A Initial Release 16JUL2015 LSand	CUSTOMER DRAWING	
REV. CHANGE ORDER	DATE	APP.	OF 1

单击下面可查看定价，库存，交付和生命周期等信息

[>>TE Connectivity\(泰科\)](#)