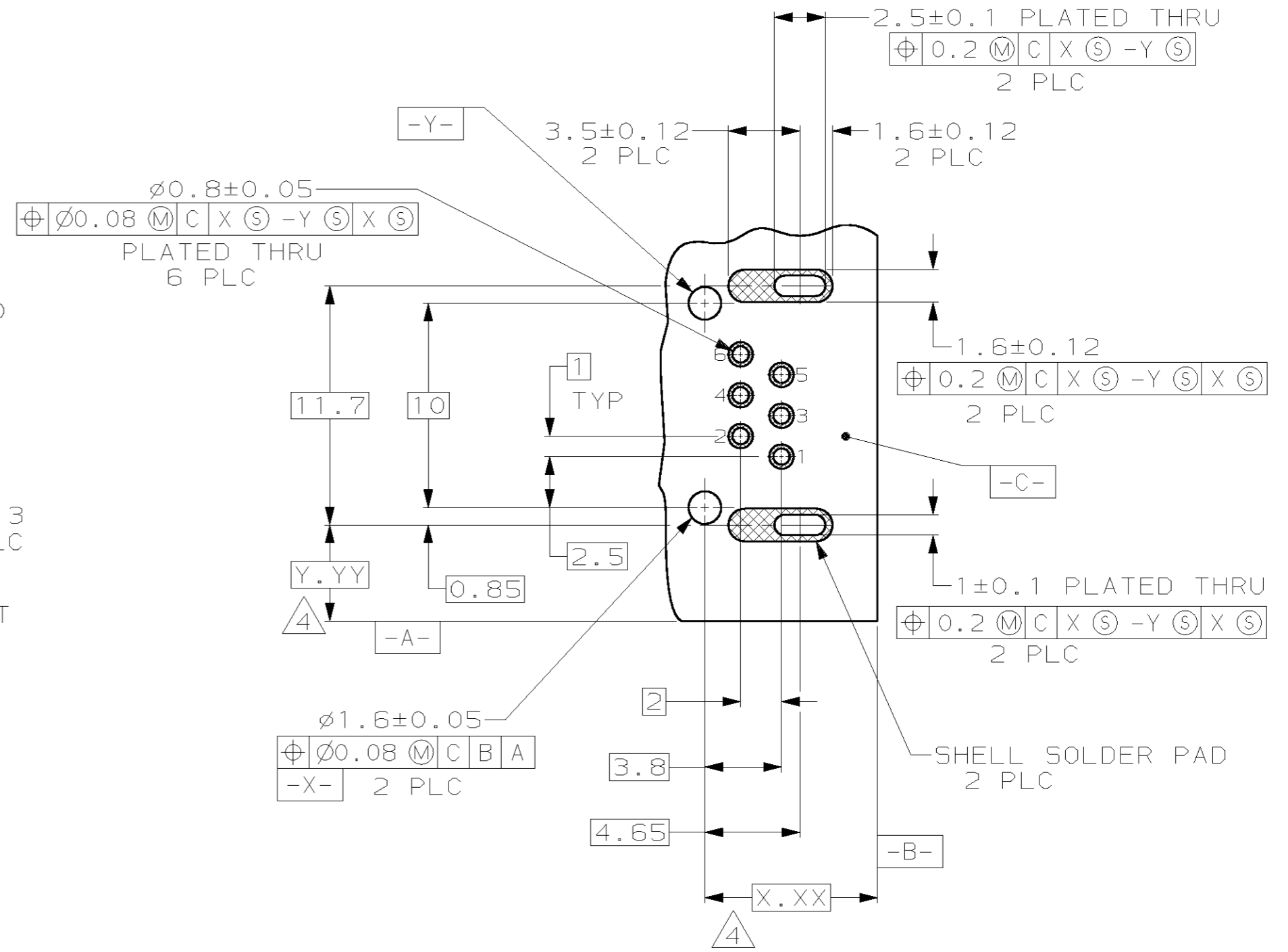
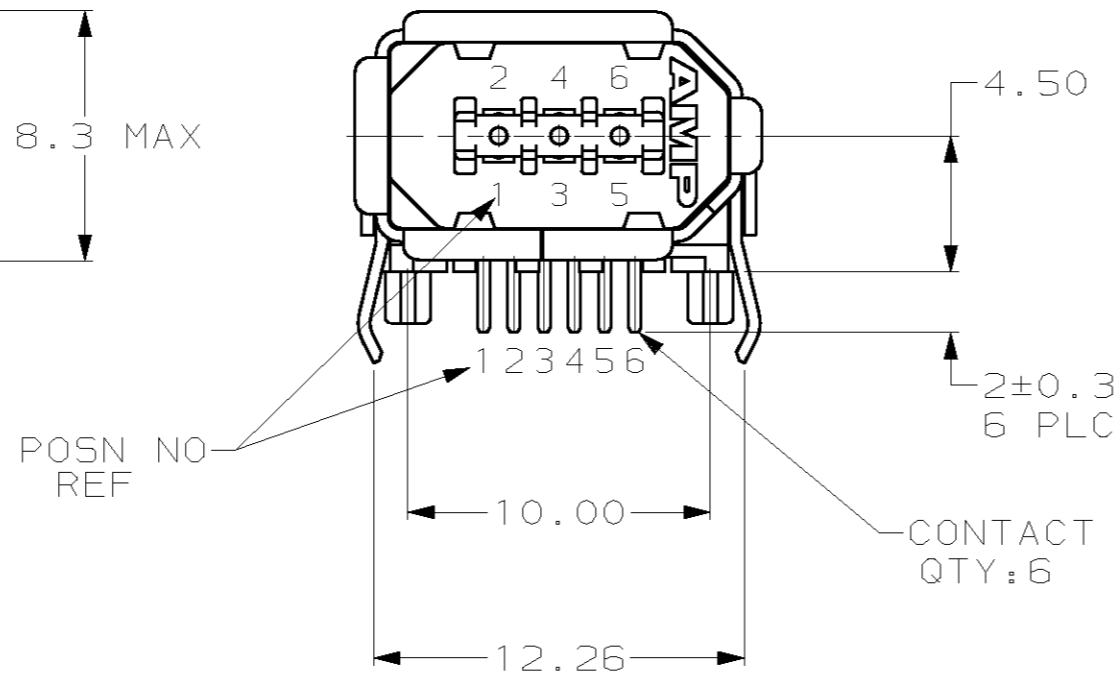
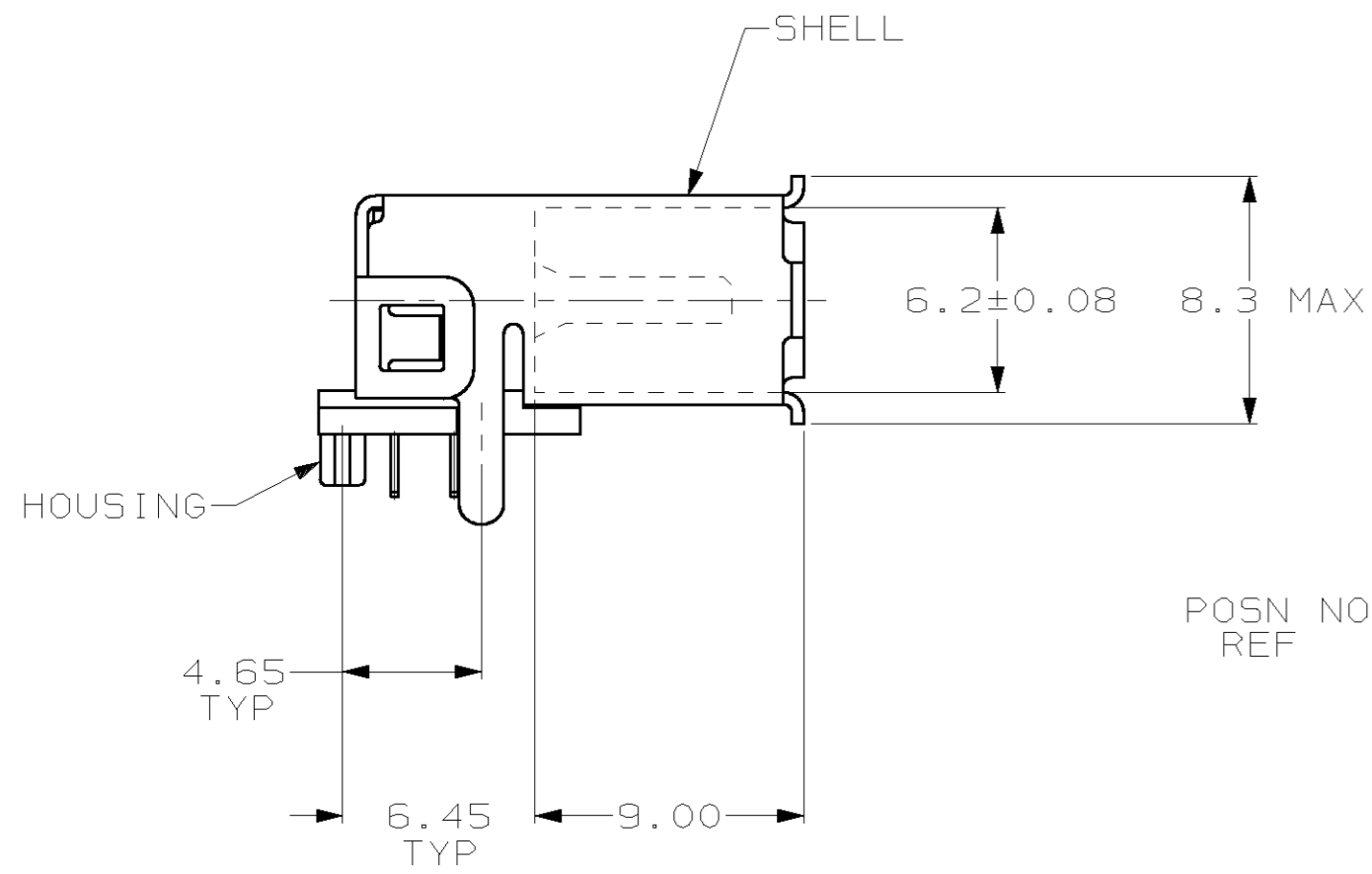
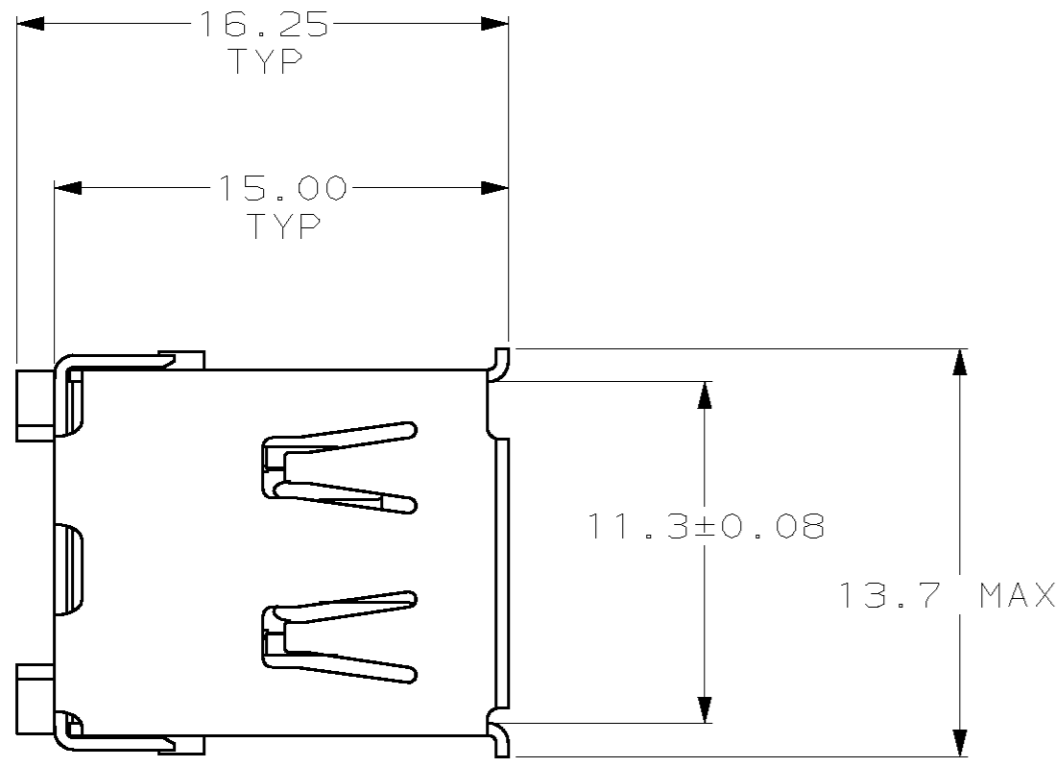


THIS DRAWING IS UNPUBLISHED. RELEASED FOR PUBLICATION .19
 BY AMP INCORPORATED. ALL RIGHTS RESERVED.

LOC		DIST		REVISIONS			
P	LTR	DESCRIPTION	DATE	DWN	APVD		
BD	39	0	REL WAS 96-8301-8 NPR 213	09-JUN-99	MS	JC	

- ① 0.076µm MIN GOLD OVER 0.76µm MIN PALLADIUM-NICKEL OR (0.76µm MIN GOLD) FOR A LENGTH OF 2 MIN ON MATING FACE END, 3.81µm MIN TIN-LEAD FOR A LENGTH OF 2.2 MIN ON OPPOSITE END, ALL OVER 1.27µm MIN NICKEL.
- ② 5.08µm MIN TIN.
- ③ LCP, BLACK, UL 94V-0 RATED.
- ④ DIMENSION TO BE ESTABLISHED BY CUSTOMER, X.XX BSC TO BE 8.45 MIN.



RECOMMENDED PWB LAYOUT
CONNECTOR SIDE

788516-1
PART NO

THIS DRAWING IS A CONTROLLED DOCUMENT FOR AMP INCORPORATED. IT IS SUBJECT TO CHANGE AND THE CONTROLLING ENGINEERING ORGANIZATION SHOULD BE CONTACTED FOR THE LATEST REVISION.		DWN: M.E.SHIRK 09JUN99 CHK: J.CONDRIGE 09JUN99 APVD: - PRODUCT SPEC: - APPLICATION SPEC: - WEIGHT: - CUSTOMER DRAWING:	AMP AMP Incorporated Harrisburg, PA 17105-3608 SOCKET ASSEMBLY, RIGHT ANGLE FLAT, THRU HOLE, IEEE P1394 SIZE: A2 CAGE CODE: 00779 DRAWING NO: C=788516 SCALE: 4:1 SHEET: 1 OF 1 REV: 0
DIMENSIONS: mm 	TOLERANCES UNLESS OTHERWISE SPECIFIED: 0 PLC ±- 1 PLC ±- 2 PLC ±0.13 3 PLC ±- 4 PLC ±- ANGLES ±- FINISH CONTACTS: ① SHELL: ② HOUSING: ③	MATERIAL CONTACTS: BRASS SHELL: PHOS BRONZE HOUSING: ③	

单击下面可查看定价，库存，交付和生命周期等信息

[>>TE Connectivity\(泰科\)](#)