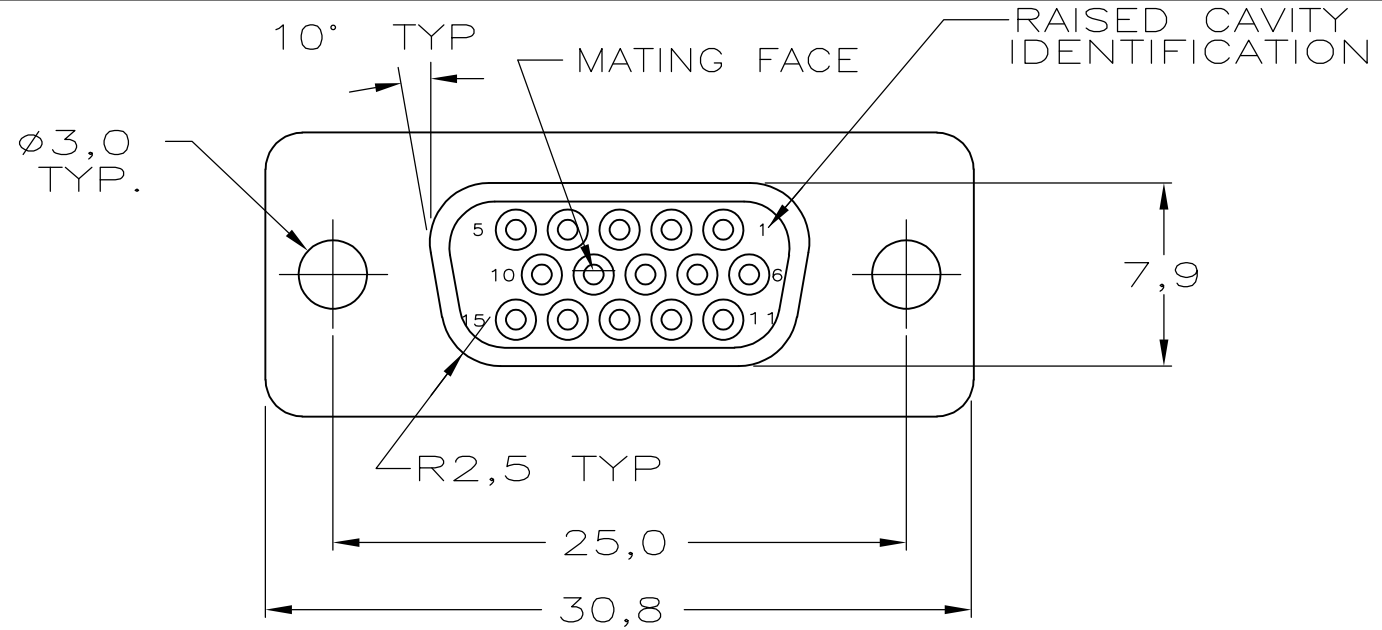
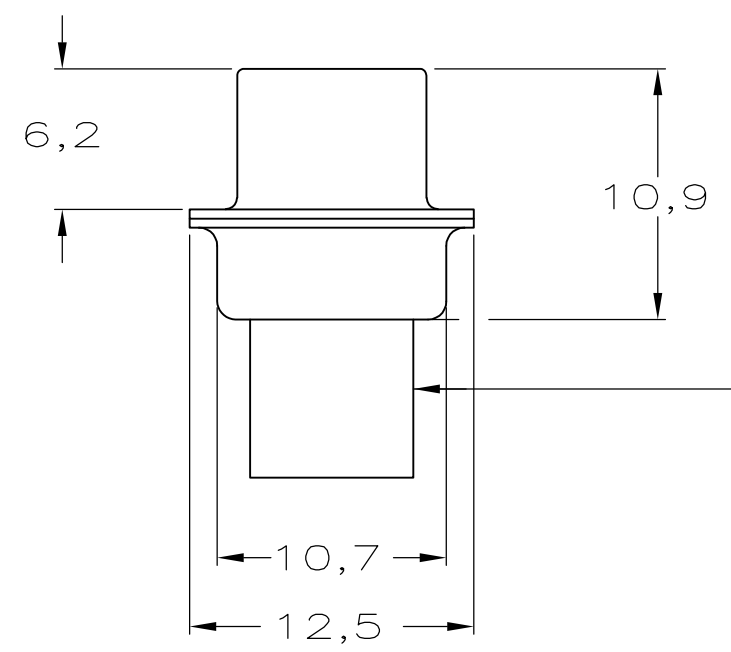
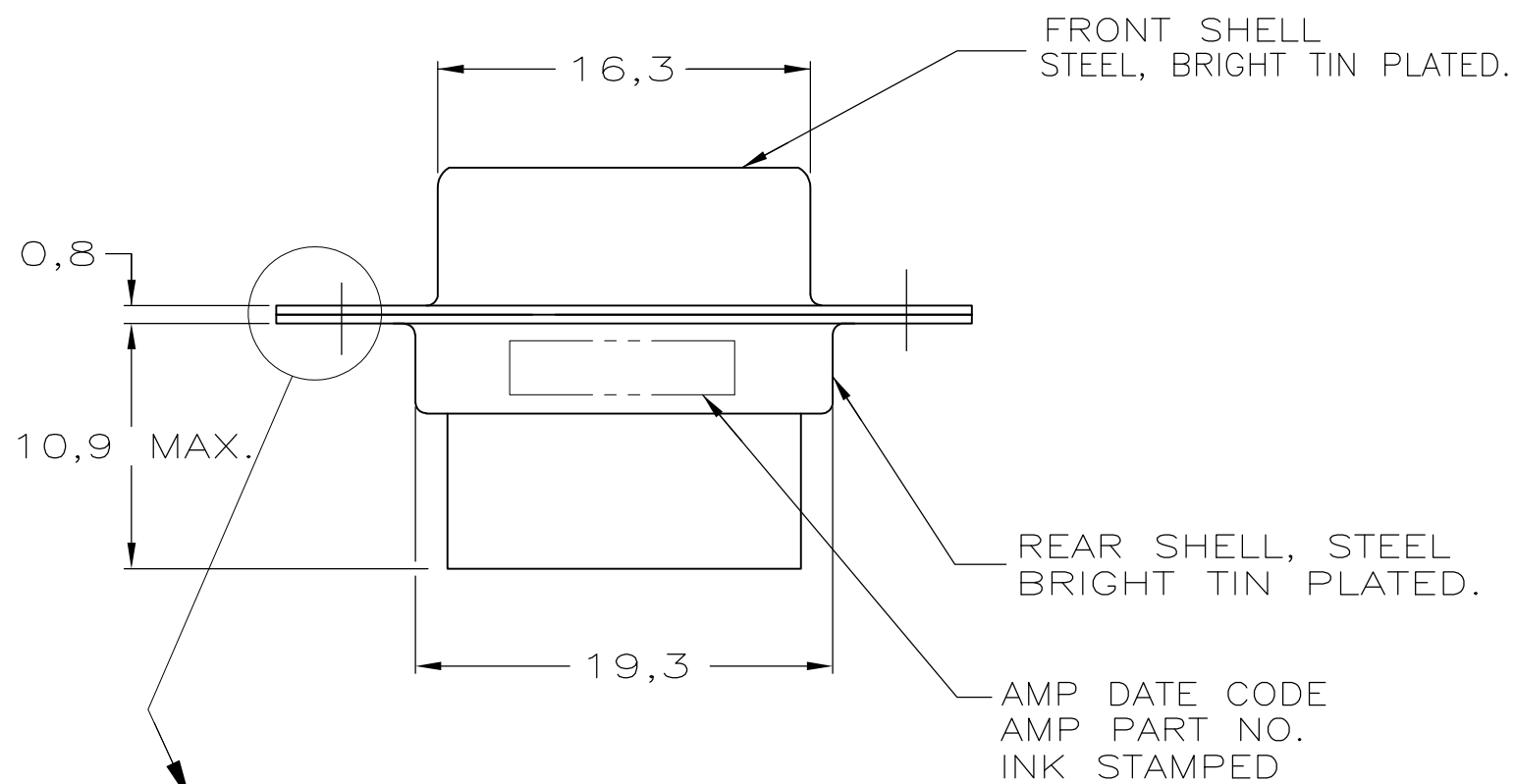


THIS DRAWING IS UNPUBLISHED. RELEASED FOR PUBLICATION  
 © COPYRIGHT - By - ALL RIGHTS RESERVED.

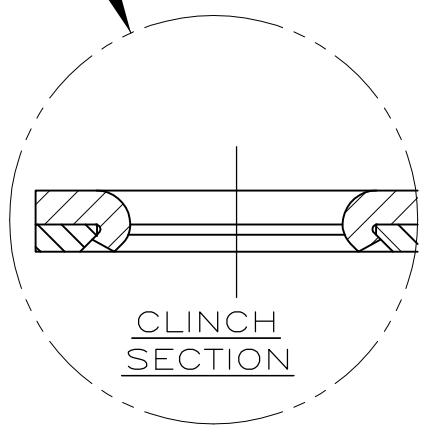
LOC	DIST	REVISIONS					
GP	00	P	LTR	DESCRIPTION	DATE	DWN	APVD
			A	REVISED PER ECO-14-008376	11DEC2014	CJV	DLG



- 1 THIS RECEPTACLE ACCEPTS SIZE 22 REC. CONTACTS.
- 2 RETENTION TINES ARE AN INTEGRAL PART OF INSERT.
- 3 CONTACT INSERTION/REMOVAL TOOL AMP P.N. 91285-1 IS RECOMMENDED FOR USE WITH THESE CONNECTORS:



INSERTS: NYLON  
 GLASS-FILLED  
 SELF-EXTINGUISHING  
 COLOR: BLACK



THIS DRAWING IS A CONTROLLED DOCUMENT.		DWN J. v. d. HEIJDEN 06DEC1988	TE Connectivity			
DIMENSIONS: mm		CHK C. v. TILBURG 02JAN1989				
TOLERANCES UNLESS OTHERWISE SPECIFIED:		APVD -	NAME			
0 PLC ± -		PRODUCT SPEC -	HDP-22 REC. CONNECTOR, SIZE 1, (15 POSITION)			
1 PLC ± -		APPLICATION SPEC -	-			
2 PLC ± -		WEIGHT -	SIZE A3	CAGE CODE 00779	DRAWING NO C-216164	RESTRICTED TO -
3 PLC ± -		CUSTOMER DRAWING				
4 PLC ± -		SCALE NTS	SHEET 1 OF 1	REV A		
ANGLES ± -						
FINISH -						

单击下面可查看定价，库存，交付和生命周期等信息

[>>TE Connectivity\(泰科\)](#)