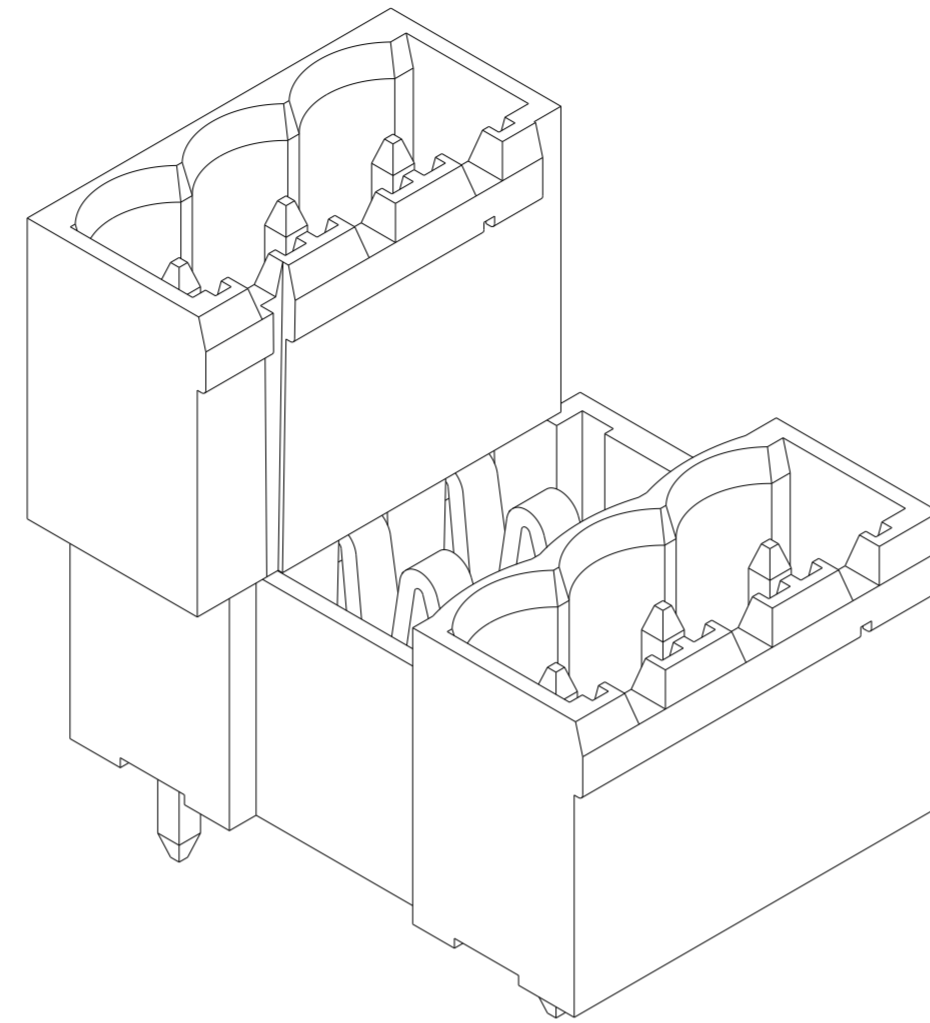
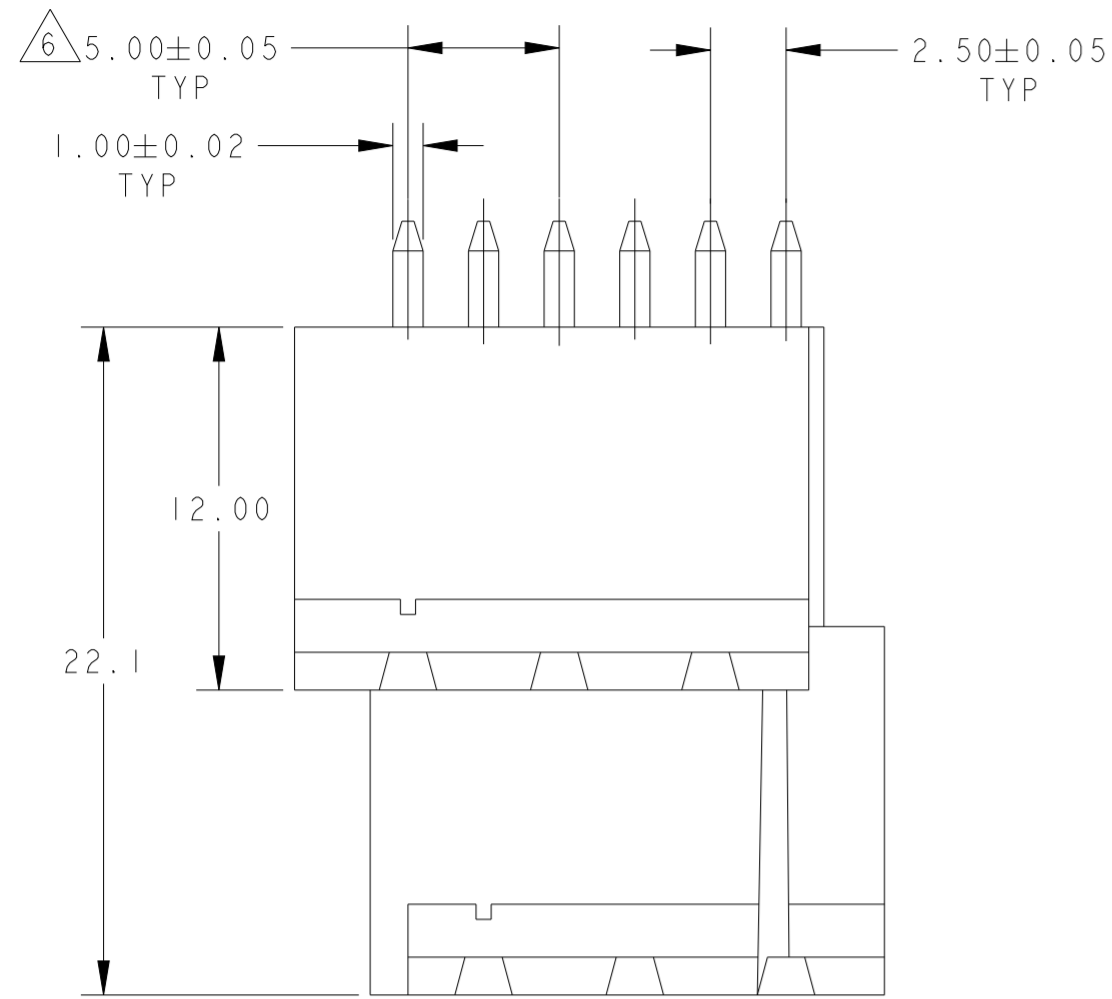
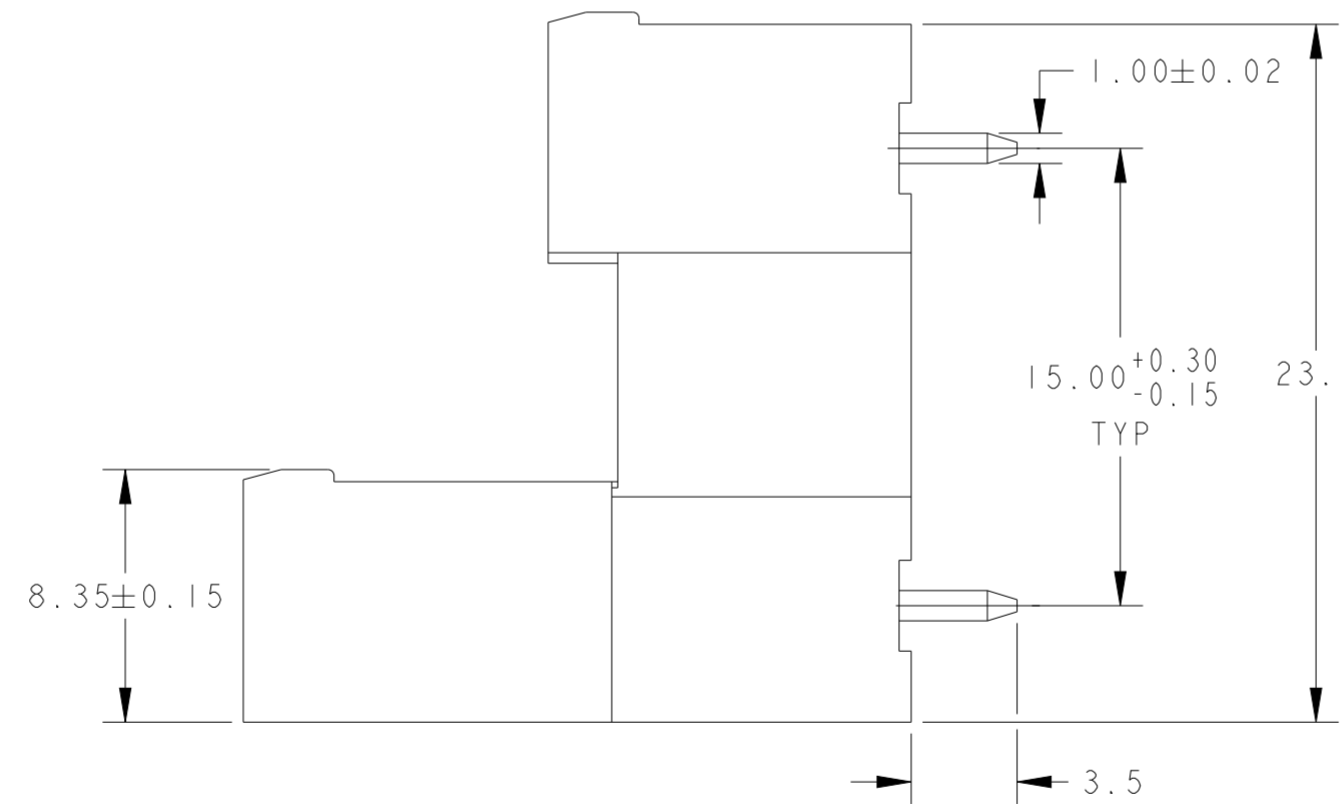
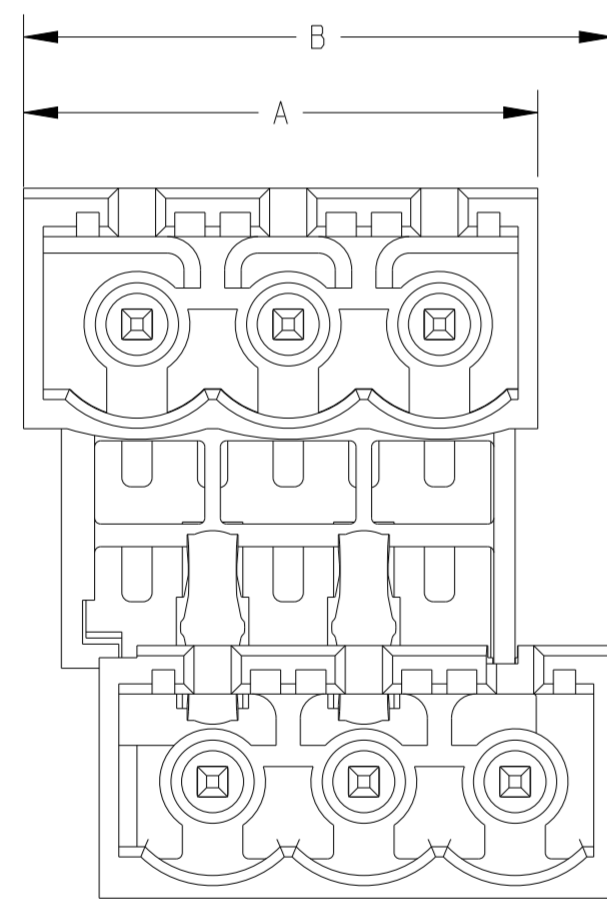


P	LTR	DESCRIPTION	DATE	DWN	APVD
01		REVISED PER ECO-12-007714	25APR2012	KH	MS
A		DESIGN IMPROVEMENT IN NEW MOLD	20JUL2020	DV	PS
B		REVISED AS PER PCN: E-20-012263	10NOV2021	SCB	SS

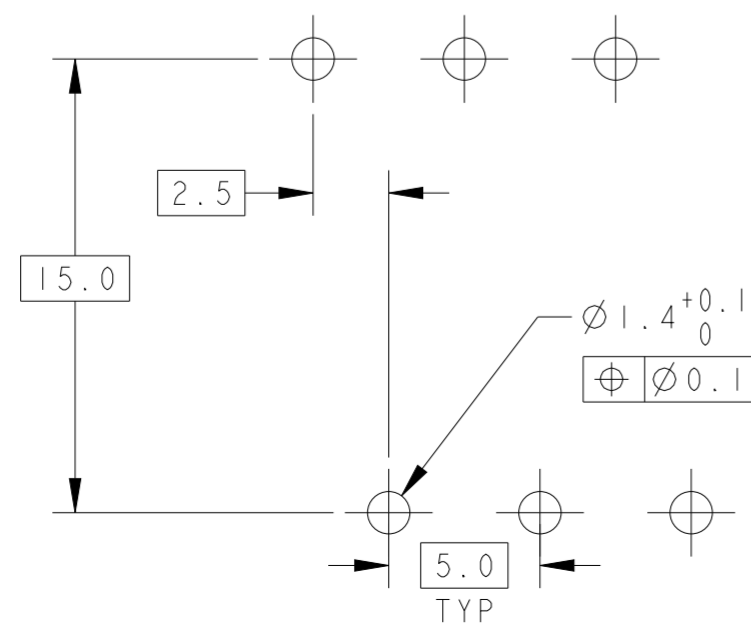


1776164-3 AS SHOWN

- 1. MATERIALS AND FINISH
HOUSING: HIGH TEMPERATURE POLYAMIDE, UL 94V-0 RATED, COLOR: BLACK.
TERMINAL: COPPER ALLOY, TIN PLATED.
- 2. SUITABLE FOR 1,6-2,4mm PC BOARD THICKNESS.
- 3. ELECTRICAL
RATED VOLTAGE : 300 V
RATED CURRENT : 12 A
CONTACT RESISTANCE : < 15 mΩ
INSULATION RESISTANCE: > 1000 MΩ (500V DC)
- 4. OPERATING TEMPERATURE RANGE: -40°C TO +110°C
- 5. P/N FROM 1776164-4 TO 1776164-8 ARE OBTAINED BY ASSEMBLING 1776164-2 AND 1776164-3 TO ACHIEVE THE DESIRED NUMBER OF POSITIONS.
- 6. NON CUMULATIVE TOLERANCE.



RECOMMENDED PC BOARD LAYOUT



44.50	42.00	8	1776164-8
39.50	37.00	7	1776164-7
34.50	32.00	6	1776164-6
29.50	27.00	5	1776164-5
24.50	22.00	4	1776164-4
19.50	17.00	3	1776164-3
14.50	12.00	2	1776164-2
B	A	NO OF POS	PART NUMBER

THIS DRAWING IS A CONTROLLED DOCUMENT.

DIMENSIONS:	TOLERANCES UNLESS OTHERWISE SPECIFIED:	DWN	12JUL2005
mm	0 PLC ±3	CHK	12JUL2005
	1 PLC ±.25	APVD	12JUL2005
	2 PLC ±.	PRODUCT SPEC	
	3 PLC ±.	APPLICATION SPEC	114-20079
	4 PLC ±.	WEIGHT	-
ANGLES	±2°	CUSTOMER DRAWING	
FINISH		SCALE	4:1

MATERIAL:

NAME: **STE** TE Connectivity

TERMINAL BLOCK HEADER ASSEMBLY, MULTIPLE, 180 DEGREE, CLOSED ENDS, 5.00mm PITCH

SIZE: A2 CAGE CODE: 00779 DRAWING NO: C-1776164 RESTRICTED TO: B

单击下面可查看定价，库存，交付和生命周期等信息

[>>TE Connectivity\(泰科\)](#)