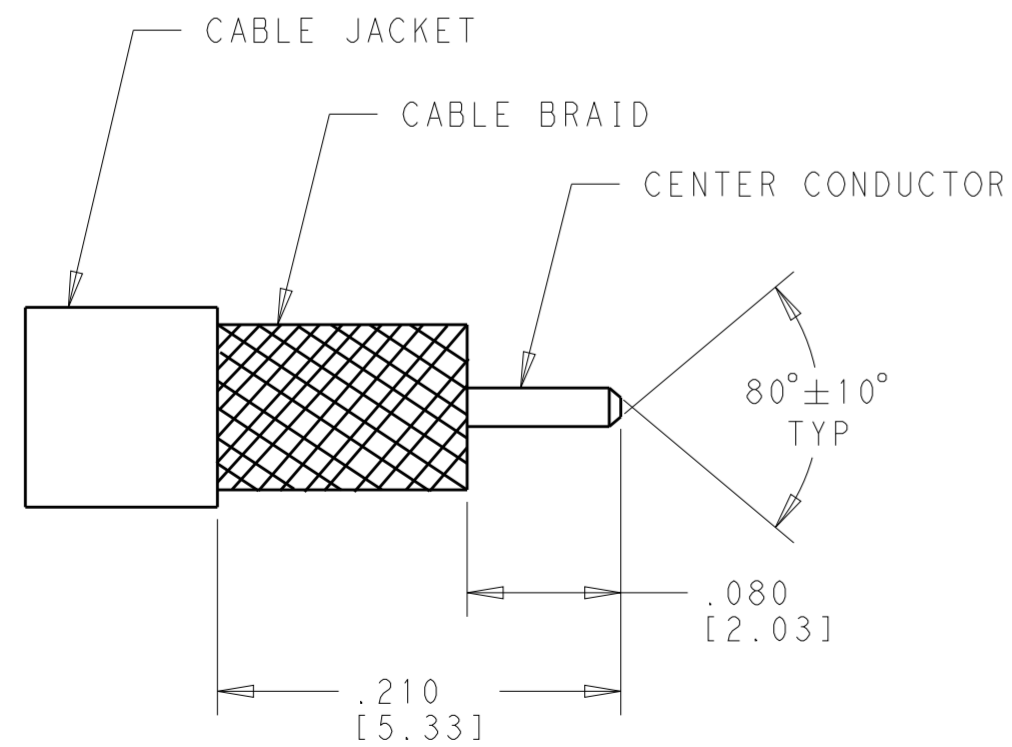
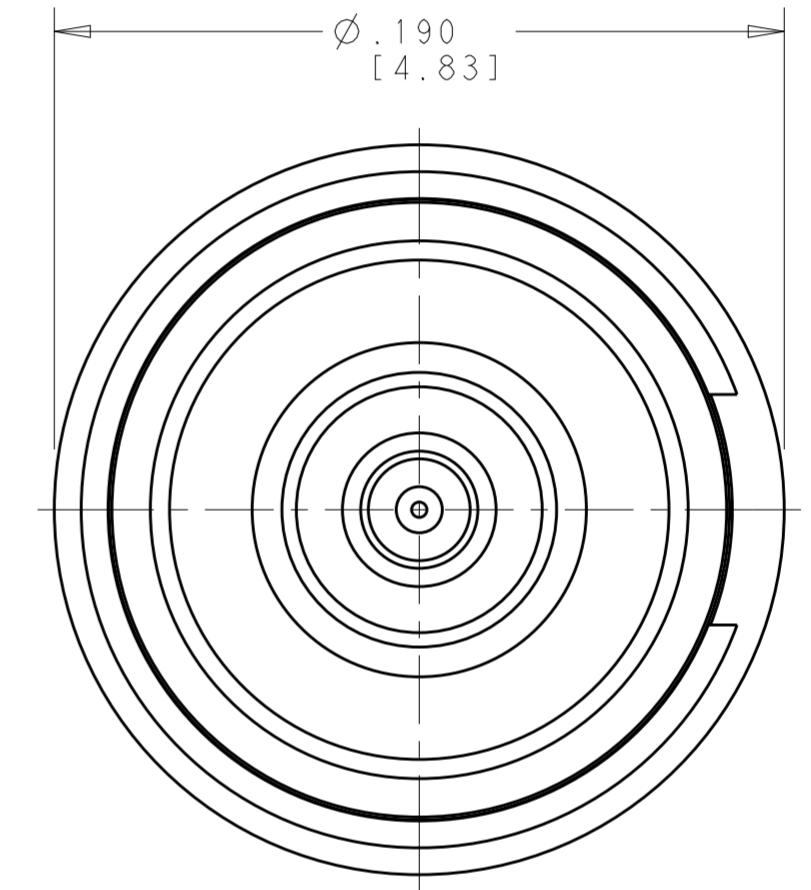
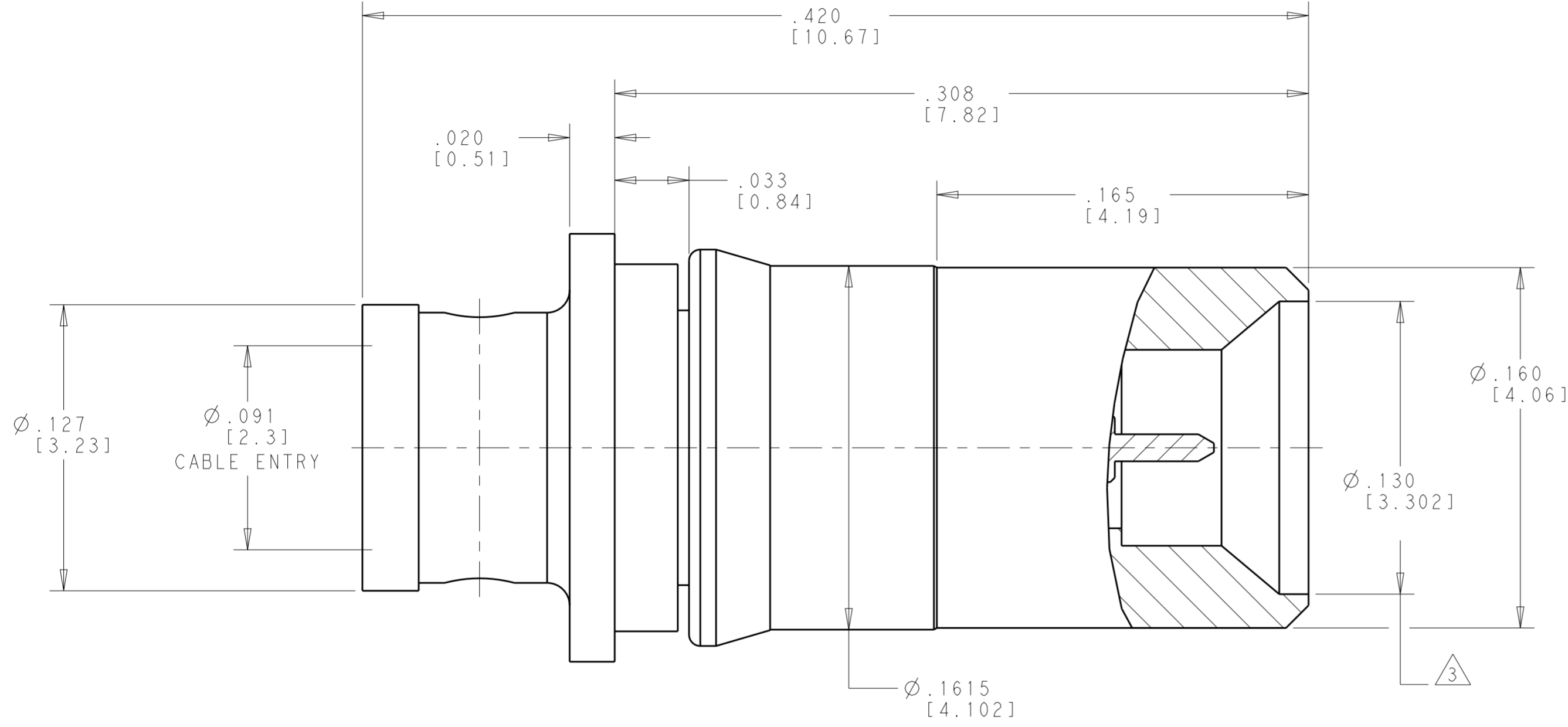


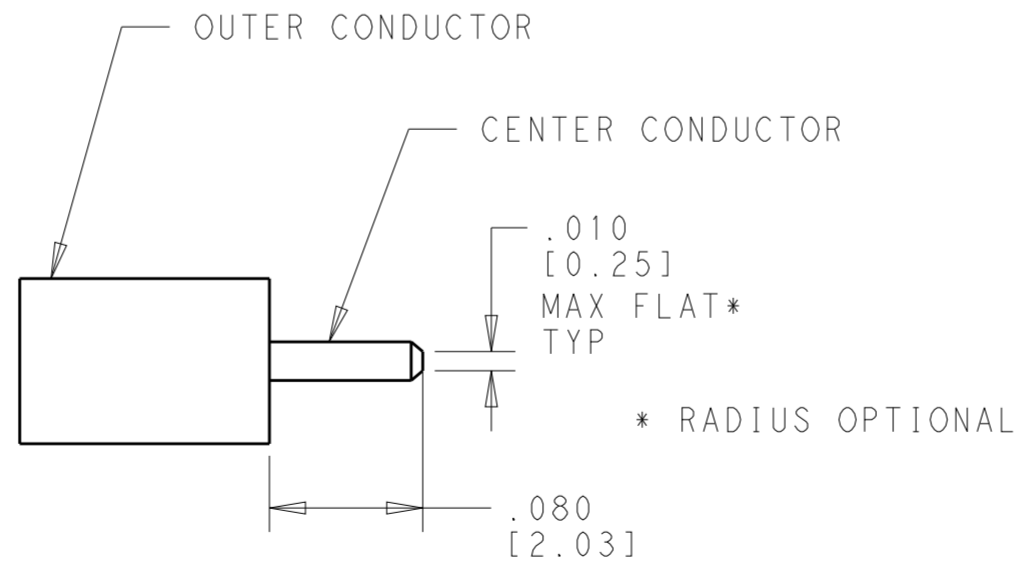
THIS DRAWING IS UNPUBLISHED. RELEASED FOR PUBLICATION
 © COPYRIGHT - BY - ALL RIGHTS RESERVED.

LOC		DIST		REVISIONS			
P	LTR	DESCRIPTION	DATE	DWN	APVD		
	J	RELEASED PER ECO 13-014257	9-16-13	CT	WM		

- 1 MATERIAL:
 BODY, OUTER CONTACT, RETAINING RING & CENTER CONTACT
 BERYLIUM COPPER, ALLOY UNS C17300 CONDITION TDO4, PER ASTM B196.
 INSULATOR - TEFLON (PTFE) ROD, PER ASTM D 1710.
- 2 FINISH:
 BODY & CENTER CONTACT - GOLD PLATE, PER ASTM B488
 OVER NICKEL PLATE PER, SAE-AMS-QQ-N-290
 RETAINING RING - NICKEL PLATE PER, SAE-AMS-QQ-N-290
- 3 SMPM MALE SMOOTH BORE, PER MIL-STD-348
 EXCEPT AS NOTED.



SCALE 10:1
 CABLE PREPARATION
 FOR Ø.086
 FLEXIBLE CABLES



SCALE 10:1
 CABLE PREPARATION
 FOR Ø.086 SEMI-RIGID &
 CONFORMABLE CABLES

2101012-1
 PART
 NUMBER

THIS DRAWING IS A CONTROLLED DOCUMENT.		DWN 08MAR2010 S. T. Morley	TE Connectivity	
DIMENSIONS: INCHES [mm]		CHK 25MAY2010 S. T. Morley		
TOLERANCES UNLESS OTHERWISE SPECIFIED:		APVD 25MAY2010 S. T. Morley	NAME SMPM STRAIGHT CABLE PLUG (M) PANEL MOUNT - SOLDER ATTACHMENT FOR USE WITH .085 DIA. CABLE	
0 PLC ± 1 PLC ± 2 PLC ± 3 PLC ±.005 [0.13] 4 PLC ±		PRODUCT SPEC -	SIZE CAGE CODE DRAWING NO RESTRICTED TO	
MATERIAL 1		APPLICATION SPEC 408-10364	A200779 C-2101012	
FINISH 2		WEIGHT -	SCALE 20:1 SHEET 1 OF 1 REV J	
Customer Drawing				

单击下面可查看定价，库存，交付和生命周期等信息

[>>TE Connectivity\(泰科\)](#)