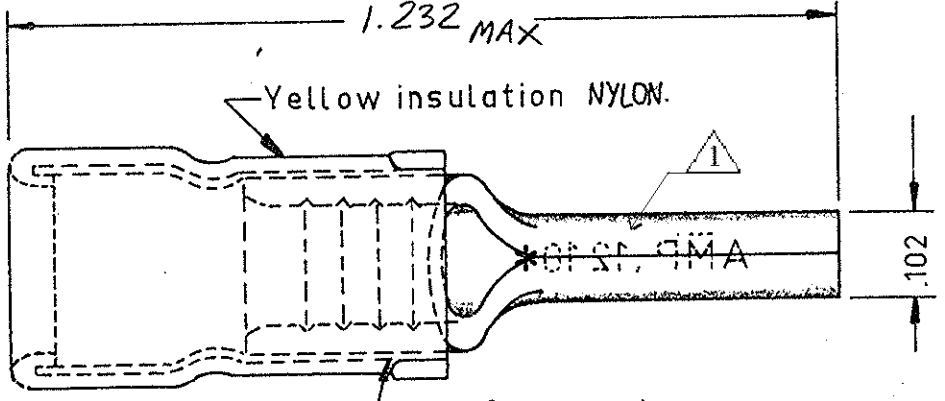


NUMBER  
C-165133-EE

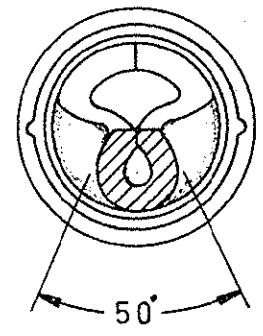
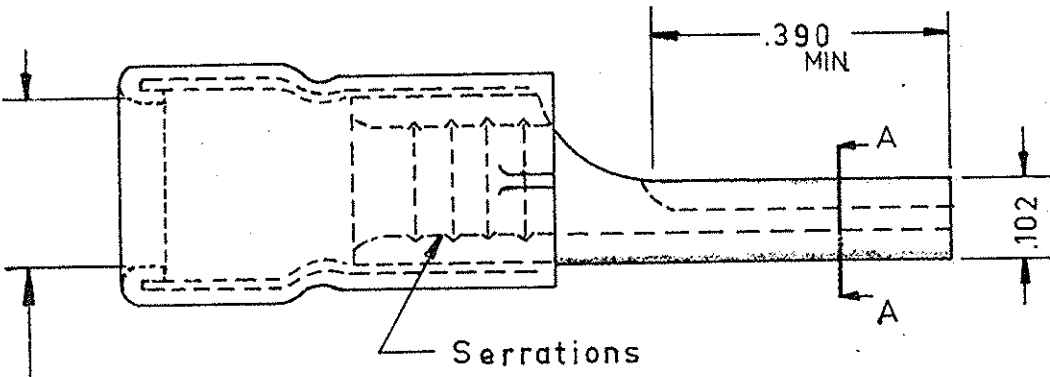
DIMENSIONS IN INCHES—DO NOT SCALE PRINT

LTR	REVISION RECORD	DATE	DWN	APVD
C1	REVISED PER ECO-14-003208	21MAR2014	NK	DR

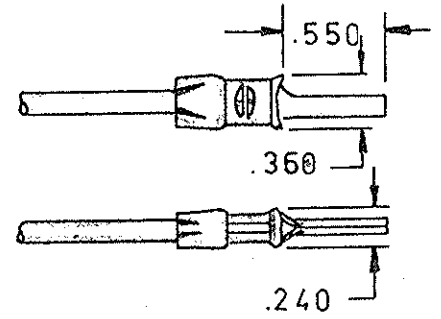


ORDER No 165133

△ STAMP AMP 12-10\* APPROX AS SHOWN



VIEW A-A



FOR .170-.300  
ISOL.DIA.

CUSTOMER PRINT  
FOR REFERENCE ONLY

©1963 BY AMP Holland N.V. ALL RIGHTS RESERVED. AMP PRODUCTS COVERED BY PATENTS AND/OR PATENTS PENDING.

-9	-8	-7	-6	-5	-4	-3	-2	-1	DWG SIZE
REQUIRED PER ASSEMBLY									

NUMBER		NAME		REMARKS		ITEM NO.
E-Copper		HEAT TREAT		FINISH		
				Tinpl. E-Cu		
MATERIAL		DATE APP		DATE REL		DATE
E-Copper		21-2-63				
DR		DATE APP		DATE FIRST USED TOL		
Blank		22-2-63		±.008		
CHG		LOC		NUMBER		REV
J. Honath		H A		C-165133-EE		C1
TYPE		NAME				
P.I.D.G.		WIRE PIN PIDG				
SCALE	WIRE SIZE	CMA				
N.T.S.	12-10	MAX MIN				

单击下面可查看定价，库存，交付和生命周期等信息

[>>TE Connectivity\(泰科\)](#)