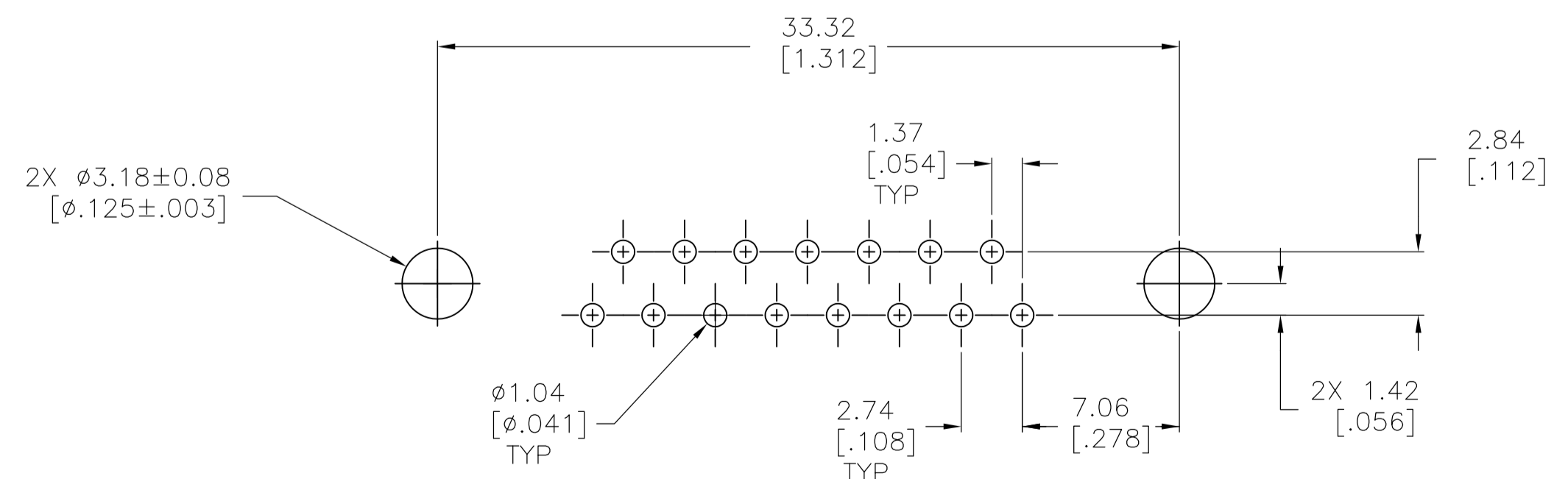
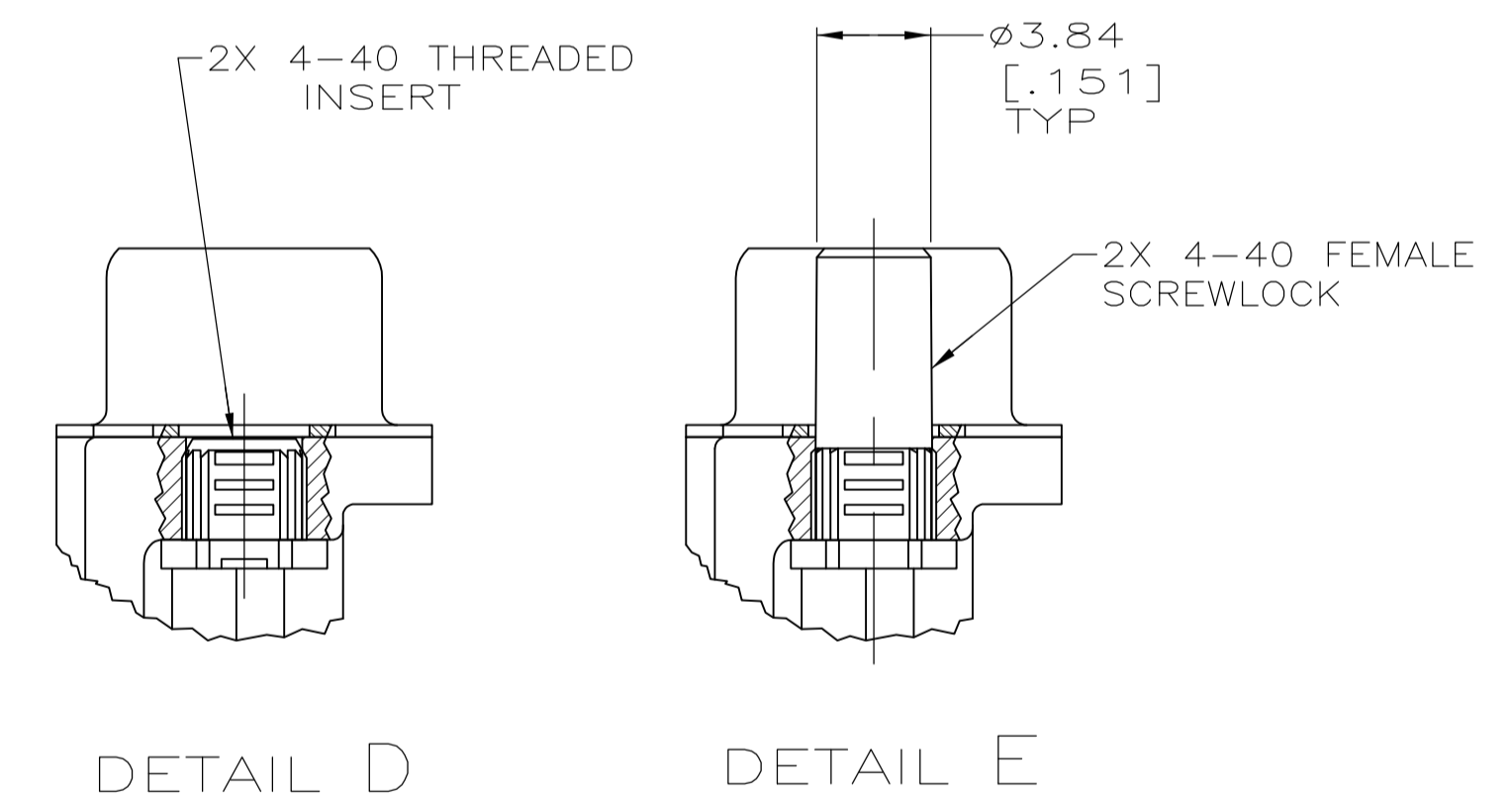
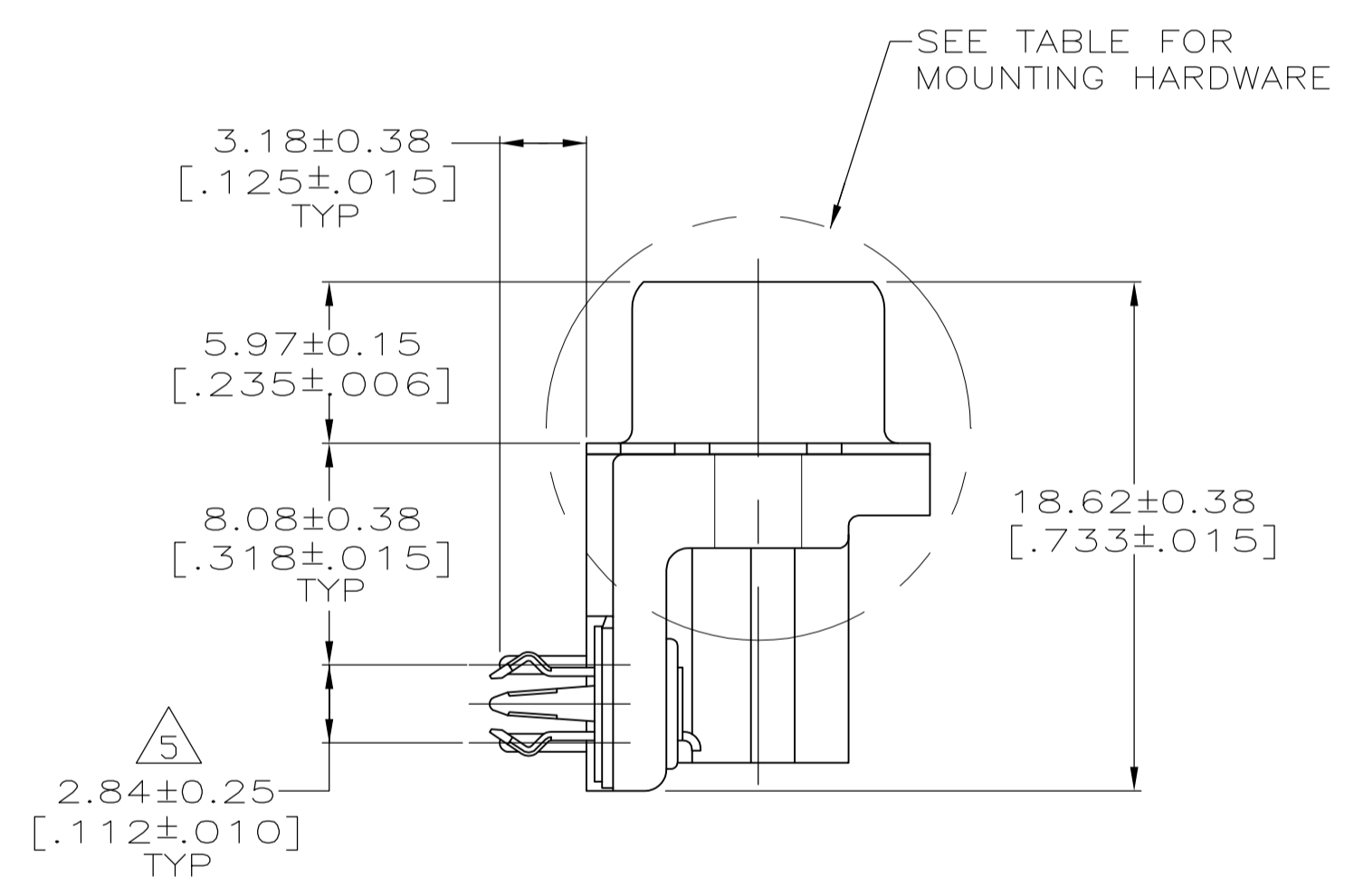
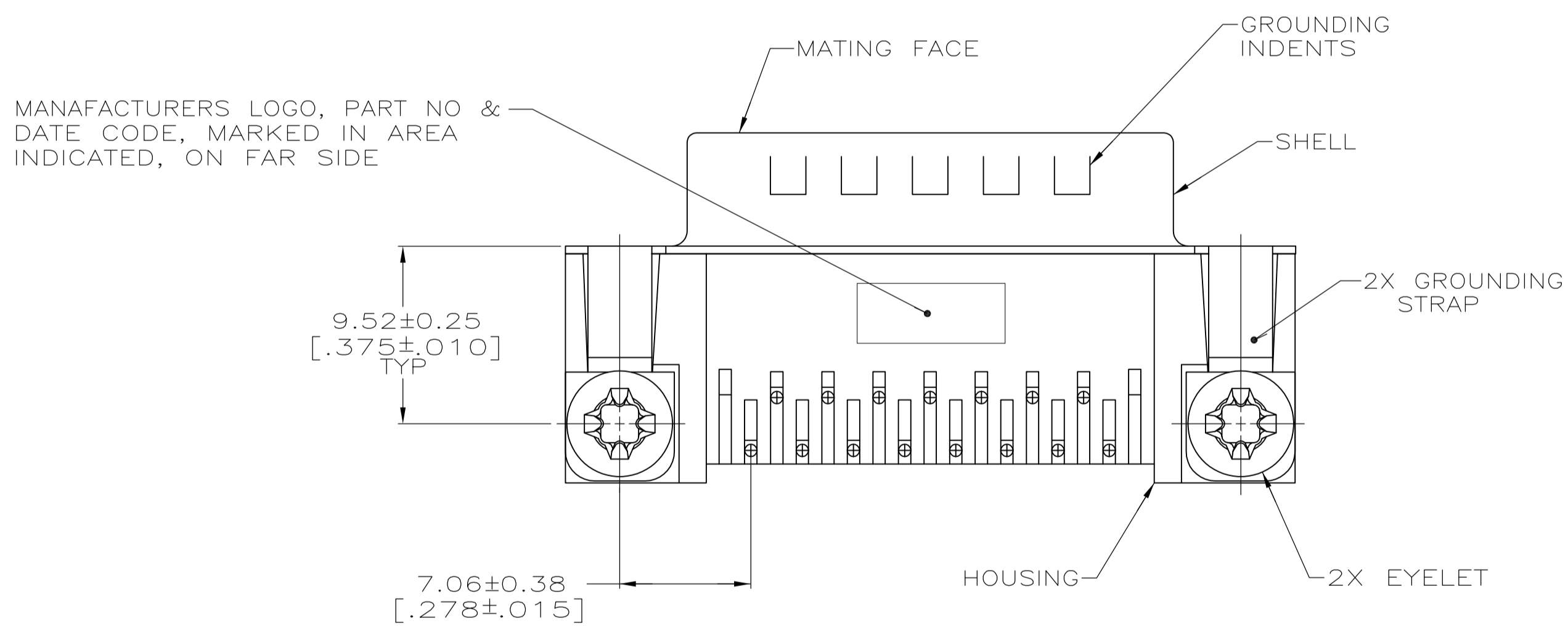


- 1 MATERIAL:  
HOUSING: NYLON OR POLYESTER, FLAME RETARDANT, UL 94V-0 RATED, GLASS FILLED, BLACK.  
CONTACTS: BRASS.  
SHELL: CARBON STEEL.  
EYELETS: BRASS.  
BOARDLOCKS: COPPER ALLOY.  
INSERTS: ZINC ALLOY.  
SCREWLOCKS: ZINC ALLOY
- 2 FINISH:  
CONTACTS: SEE TABLE.  
SHELL: 2.54µm[.000100] MIN TIN OVER 1.27µm[.000050] MIN COPPER.  
EYELETS: 5.08µm[.000200] MIN TIN OVER COPPER FLASH.  
BOARDLOCKS: 5.08µm[.000200] MIN TIN OVER 1.27µm[.000050] MIN NICKEL.  
INSERTS: CLEAR CHROMATE.  
SCREWLOCKS: CLEAR CHROMATE.
- 3 GOLD FLASH ON THE MATING SURFACES, 2.54µm[.000100] MIN TIN PLATE ON THE SOLDER END, 1.27µm[.000050] MIN NICKEL UNDERPLATE ON THE ENTIRE CONTACT.
- 4 0.76µm[.000030] MIN GOLD PLATE ON THE MATING SURFACES, 2.54µm[.000100] MIN TIN PLATE ON THE SOLDER END, 1.27µm[.000050] MIN NICKEL UNDERPLATE ON THE ENTIRE CONTACT.  
-OR-  
GOLD FLASH OVER PALLADIUM-NICKEL PLATE, 0.76µm[.000030] MIN TOTAL ON THE MATING SURFACES, 2.54µm[.000100] MIN TIN PLATE ON THE SOLDER END, 1.27µm[.000050] MIN NICKEL UNDERPLATE ON THE ENTIRE CONTACT.
- 5 DIMENSION APPLIES FROM CENTER OF CONTACTS.



P.C. BOARD MOUNTING DIMENSIONS  
P.C. BOARD THICKNESS: 1.57[.062]

SEE DETAIL E	5747841-6
SEE DETAIL D	5747841-4
SEE DETAIL D	5747841-3
-	5747841-2
MOUNTING HARDWARE	CONTACT FINISH
	PART NUMBER

THIS DRAWING IS A CONTROLLED DOCUMENT. DIMENSIONING AND TOLERANCING PER ASME Y14.5M-2009.

DIMENSIONS: mm [INCHES]	TOLERANCES UNLESS OTHERWISE SPECIFIED:	DIN B. MCMASTER 15JULY05	15JULY05	APVD S. BOLASH 15JULY05	NAME
0 PLC ± -	1 PLC ± -	2 PLC ± -	3 PLC ± 0.13[.005]	4 PLC ± -	ANGLES ± -
MATERIAL		FINISH		SIZE	CAGE CODE DRAWING NO
1		2		A1	5747841
CUSTOMER DRAWING		SCALE 4:1		SHEET 1 of 1	REV C

**STE** TE Connectivity

PLUG ASSEMBLY, SIZE 2, 15 POSITION, RIGHT ANGLE, FRONT METAL SHELL, .318 SERIES, BOARDLOCKS, AMPLIMITE® HD-20

单击下面可查看定价，库存，交付和生命周期等信息

[>>TE Connectivity\(泰科\)](#)

[>>点击查看相关商品](#)