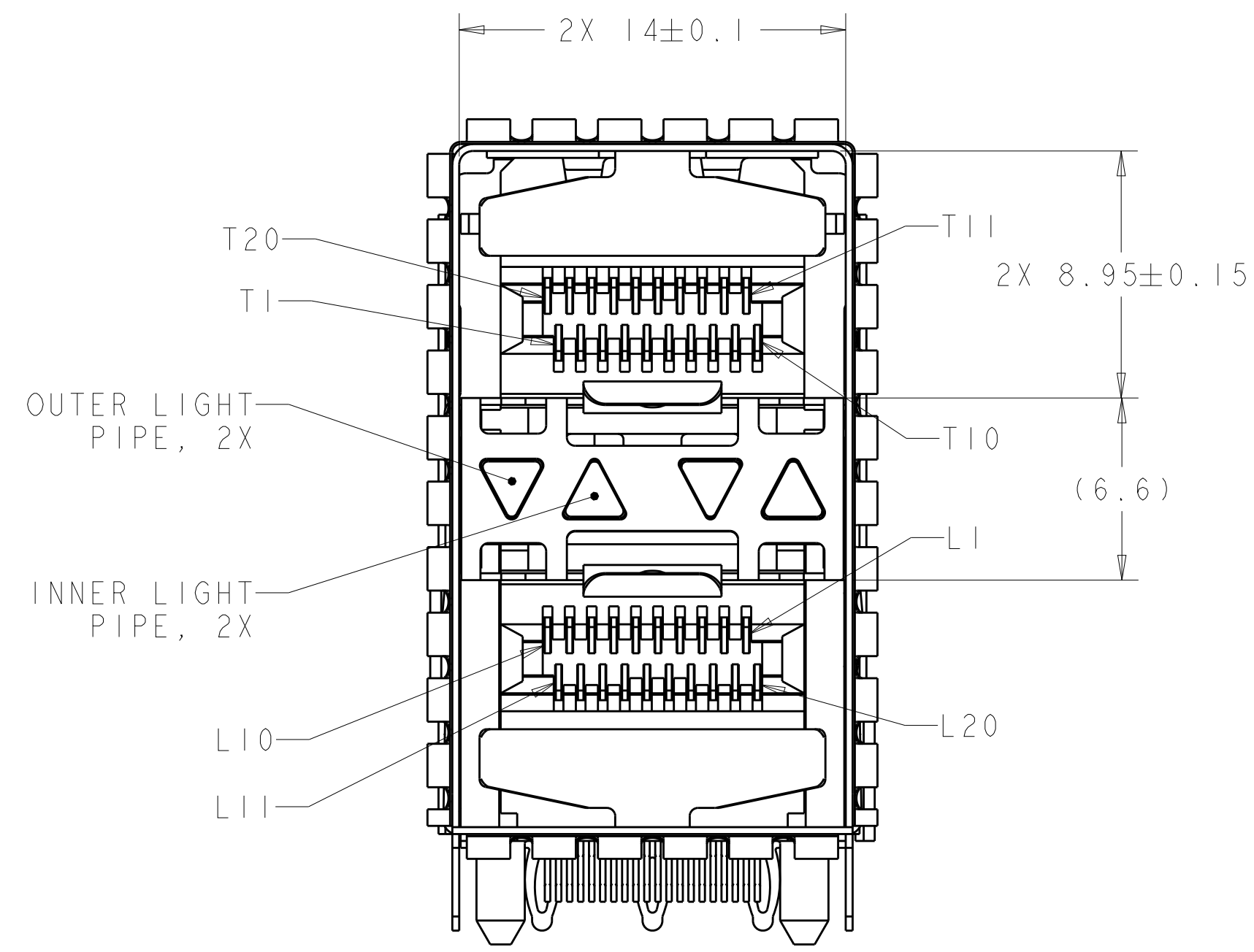
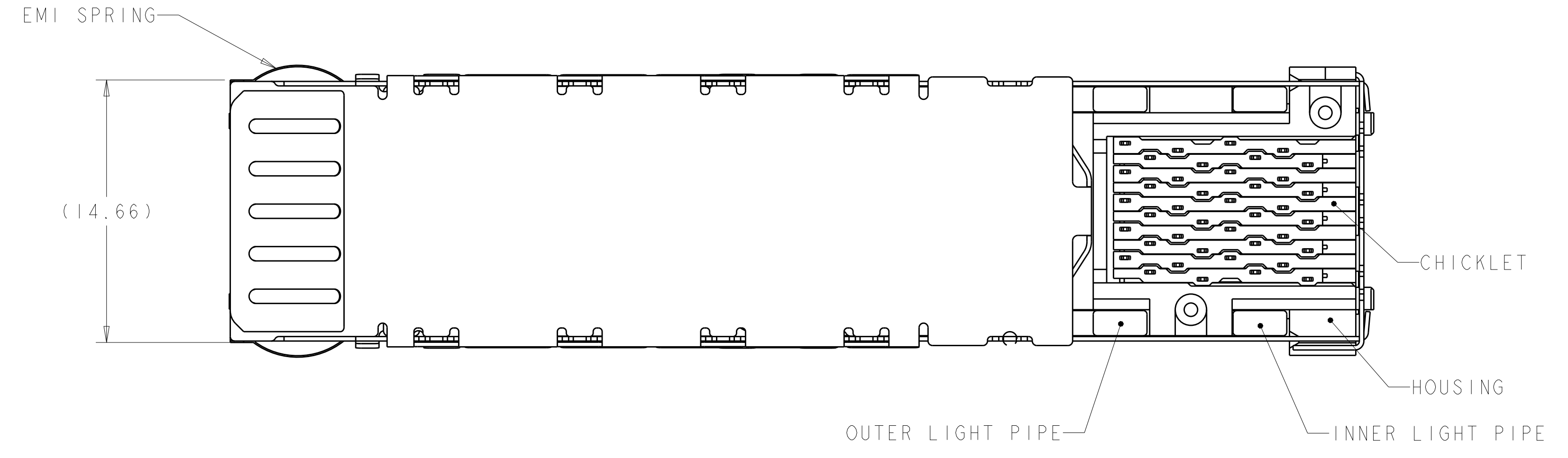
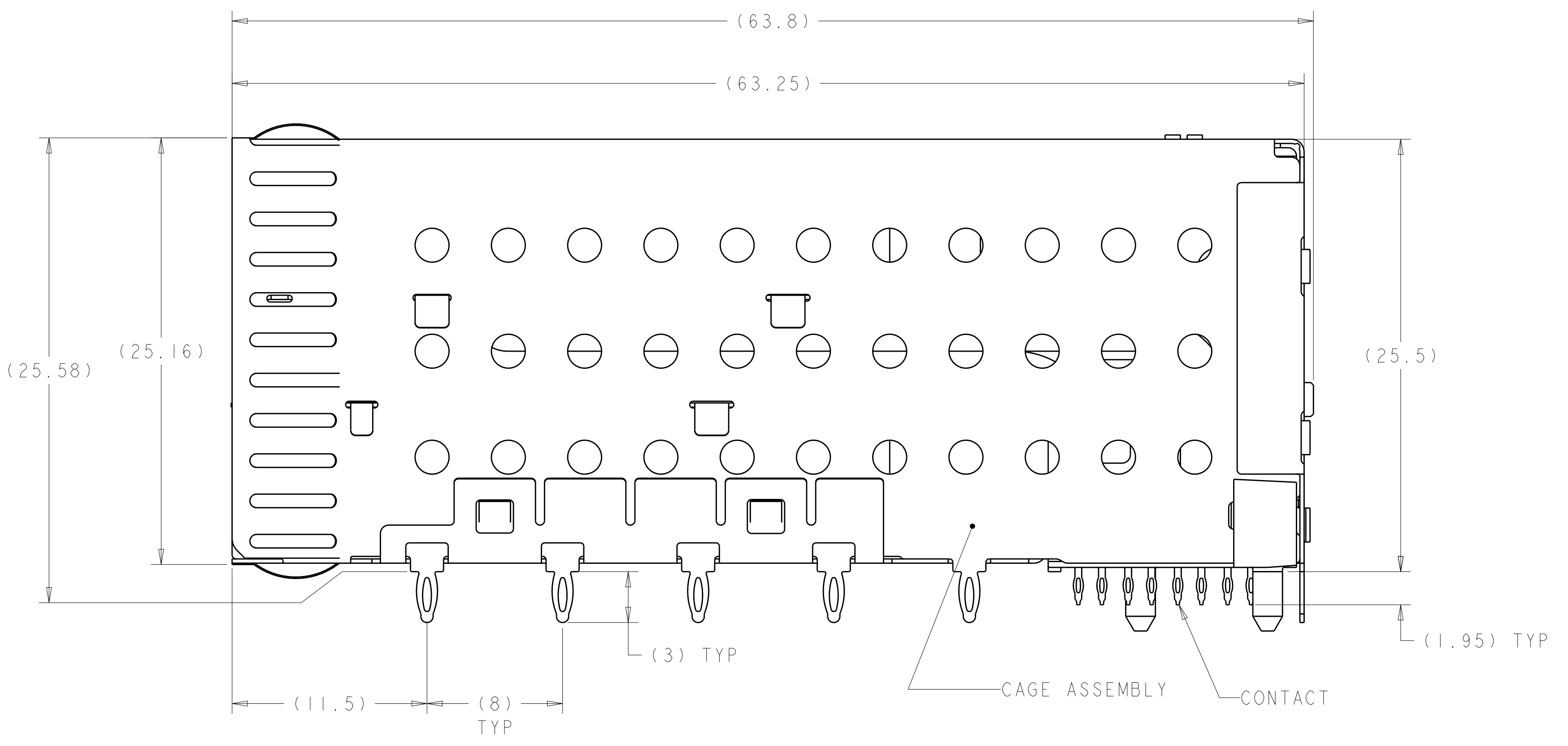


| LOC | | DIST | | REVISIONS | | | |
|-----|-----|----------------------------------|-----------|-----------|------|--|--|
| P | LTN | DESCRIPTION | DATE | DWN | APVD | | |
| C1 | | REVISED PER ECO-13-003678 | 09APR2013 | CJV | PAR | | |
| D | | REVISED PER ECO-15-017919 | 04APL2016 | AP | PR | | |
| E | | REVISE PER ECR-19-011161 | 14JAN2020 | IT | SH | | |
| F | | ADD PN 2-8 WITH ESD TRAY PACKAGE | 19MAY2020 | IT | SH | | |



2007492-5 AS SHOWN



- ⚠ MATERIALS:
 CAGE ASSEMBLY- NICKEL SILVER ALLOY PER ASTM B 122.
 EMI SPRING- COPPER ALLOY.
 HOUSING- BLACK LCP, UL 94V-0 RATED.
 CHICKLET- BLACK LCP, UL 94V-0 RATED.
 LIGHT PIPE- POLYCARBONATE, CLEAR.
 INSERT- LCP, BLACK, UL 94V-0.
 CONTACT- COPPER ALLOY.
- ② DATUM AND BASIC DIMENSIONS ESTABLISHED BY CUSTOMER.
- 3. MINIMUM PCB THICKNESS OF 1.5.
- ④ CONTACT FINISH- CONFORMS TO THE REQUIREMENTS OF TE CONNECTIVITY PRODUCT SPECIFICATION 108-2331, BASED ON EIA/ECA-364-1000.01A, (CONTROLLED ENVIRONMENT APPLICATIONS) ON MATING INTERFACE, TIN-LEAD ON NEEDLE EYE.
- ⑤ CONTACT FINISH- CONFORMS TO THE REQUIREMENTS OF TE CONNECTIVITY PRODUCT SPECIFICATION 108-2331, BASED ON EIA/ECA-364-1000.01A, (CONTROLLED ENVIRONMENT APPLICATIONS) ON MATING INTERFACE, TIN ON NEEDLE EYE.
- ⑥ FOR HOLE SIZE AND PLATINGS, SEE APPLICATION SPEC 114-13219.
- ⚠ THE ENTIRE AREA OF THE CONNECTOR FOOTPRINT, INDICATED BY THE DASHED LINE, TO BE CONSIDERED THE KEEPOUT AREA FOR COMPONENTS AND SIGNAL TRACES, TOP SIDE ONLY. TOP SIDE TRACES ALLOWED WITHIN CONNECTOR HOLE PATTERN.
- ⑧ LIGHT PIPE PAD LAYOUT IS FOR 0805 LOW PROFILE LED PACKAGE WITH A HEIGHT OF 0.8mm.
- ⑨ EMI SPRING FINISH: 0.8µm MINIMUM MATTE TIN OVER 0.8µm MINIMUM NICKEL, NONPLATED EDGES PERMISSIBLE.
- ⑩ ADDITIONAL COMPONENT LOCATED WITHIN LATCH PLATE FOR EMI SUPPRESSION.
- ⚠ WITH ESD TYPE TRAY PACKAGE.

| YES | NO | DESCRIPTION | PART NUMBER |
|--------------|--------|---------------------|---------------|
| | | NO LIGHT PIPES | 1-2007492-8 |
| | | OUTER 2 LIGHT PIPES | 1-2007492-7 |
| | | INNER 2 LIGHT PIPES | 1-2007492-6 |
| | | 4 LIGHT PIPES | 1-2007492-5 |
| | | NO LIGHT PIPES | ⚠ 2-2007492-8 |
| | | NO LIGHT PIPES | 2007492-8 |
| | | OUTER 2 LIGHT PIPES | 2007492-7 |
| | | INNER 2 LIGHT PIPES | 2007492-6 |
| | | 4 LIGHT PIPES | 2007492-5 |
| | | NO LIGHT PIPES | 2007492-4 |
| | | OUTER 2 LIGHT PIPES | 2007492-3 |
| | | INNER 2 LIGHT PIPES | 2007492-2 |
| | | 4 LIGHT PIPES | 2007492-1 |
| SUPERSEDED | NO | | |
| ENHANCED EMI | FINISH | DESCRIPTION | PART NUMBER |

THIS DRAWING IS A CONTROLLED DOCUMENT. DIMENSIONING AND TOLERANCING PER ASME Y14.5M-2009. TOLERANCES UNLESS OTHERWISE SPECIFIED:

| | | |
|-------------|----|---|
| DIMENSIONS: | mm | 0 PLC ±0.10 1 PLC ±0.10 2 PLC ±0.10 3 PLC ±0.10 4 PLC ±0.10 |
| ANGLES: | ° | ±0.5° |
| FINISH: | | ④ ⑤ ⑨ |

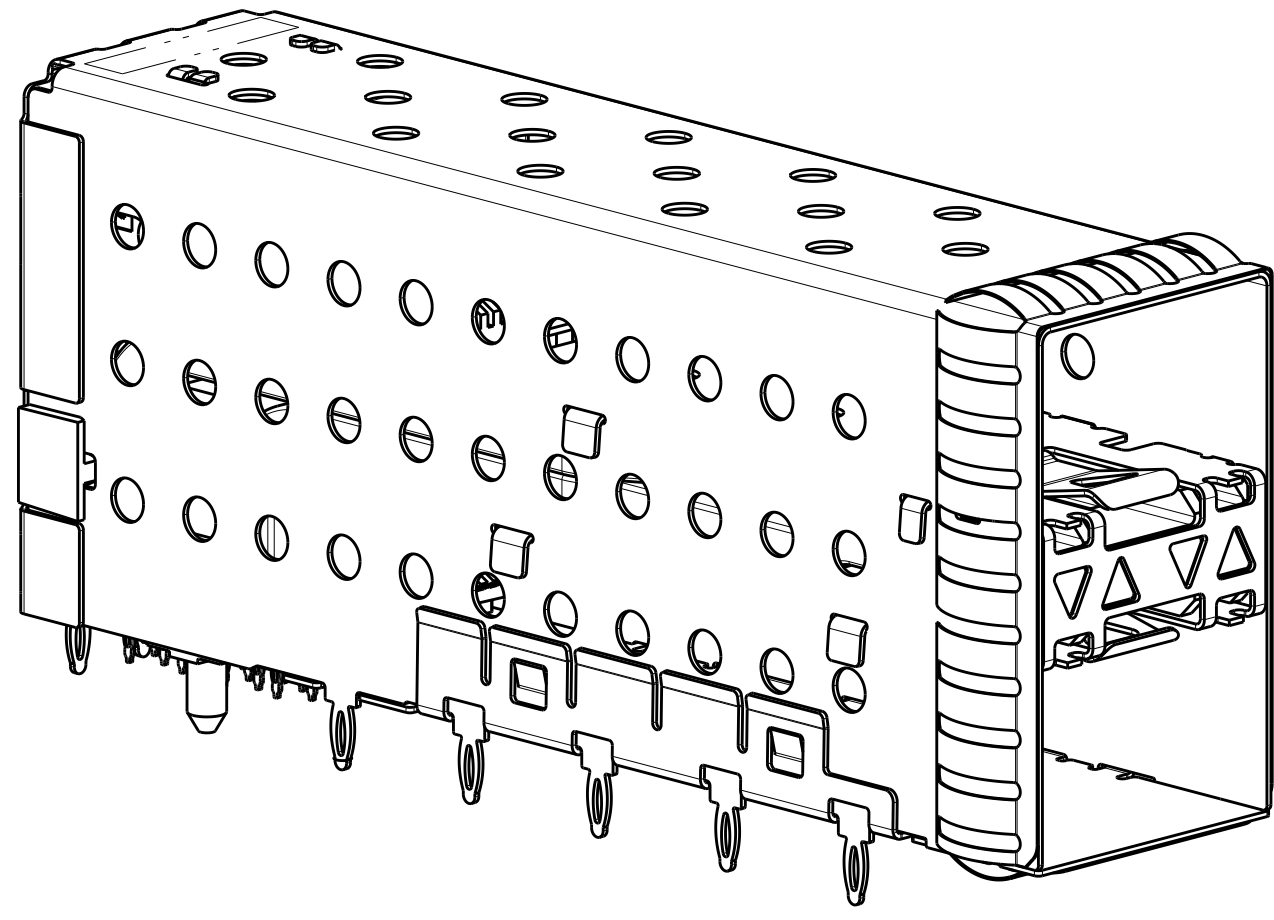
MATERIAL: ①

APVD: D. SZCZESNY 30NOV2007
 PRODUCT SPEC: 108-2331
 APPLICATION SPEC: 114-13219
 WEIGHT: -
 CUSTOMER DRAWING

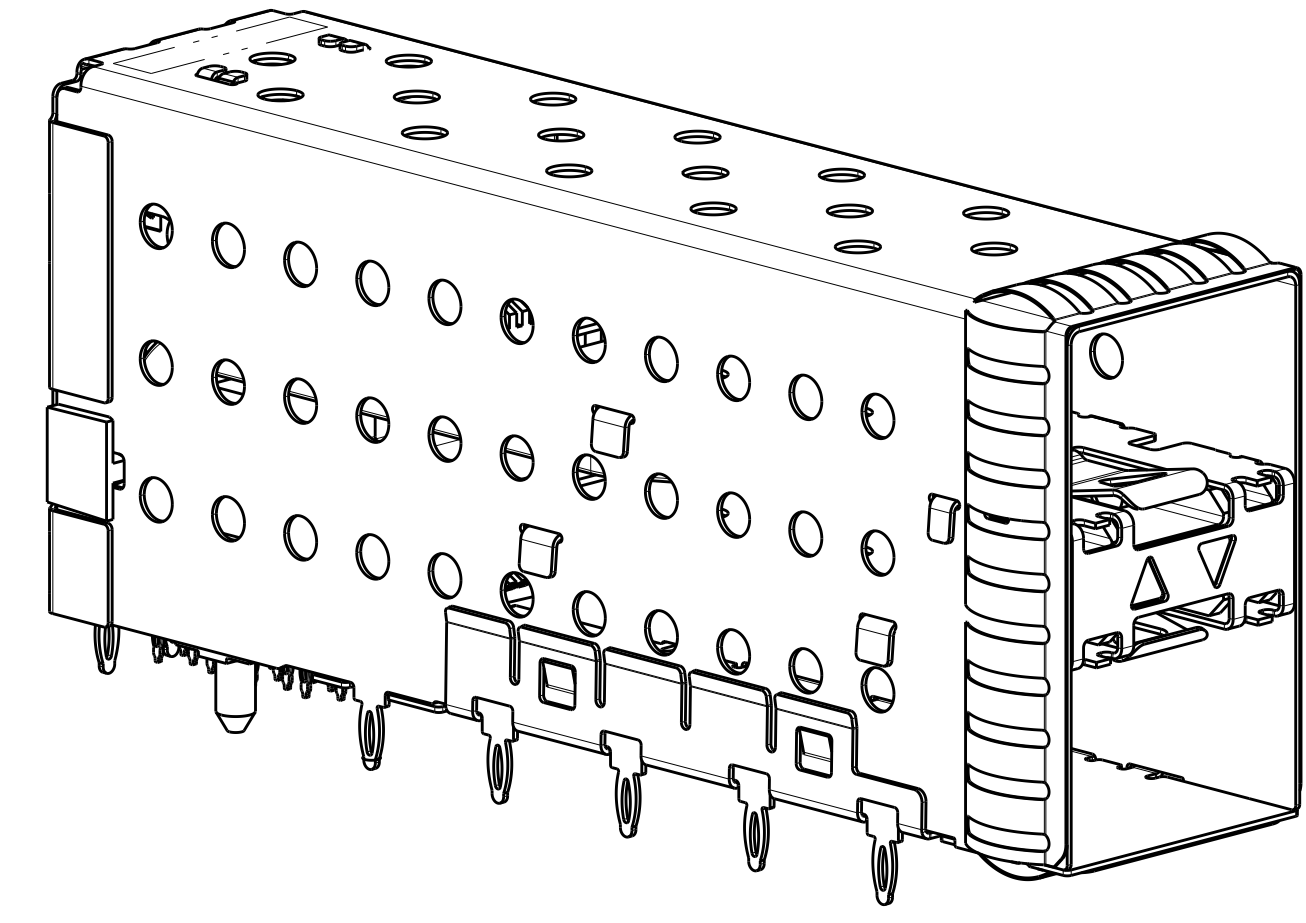
DWN: M. SHIRK 30NOV2007
 CHK: D. SZCZESNY 30NOV2007
 NAME: CAGE AND PT CONNECTOR ASSEMBLY, WITH EMI SPRINGS, PRESS FIT, 2X1, STACKED SFP+
 SIZE: A1
 CAGE CODE: 100779
 DRAWING NO: 2007492
 SCALE: 5:1
 SHEET: 1 OF 4
 REV: F

STE TE Connectivity

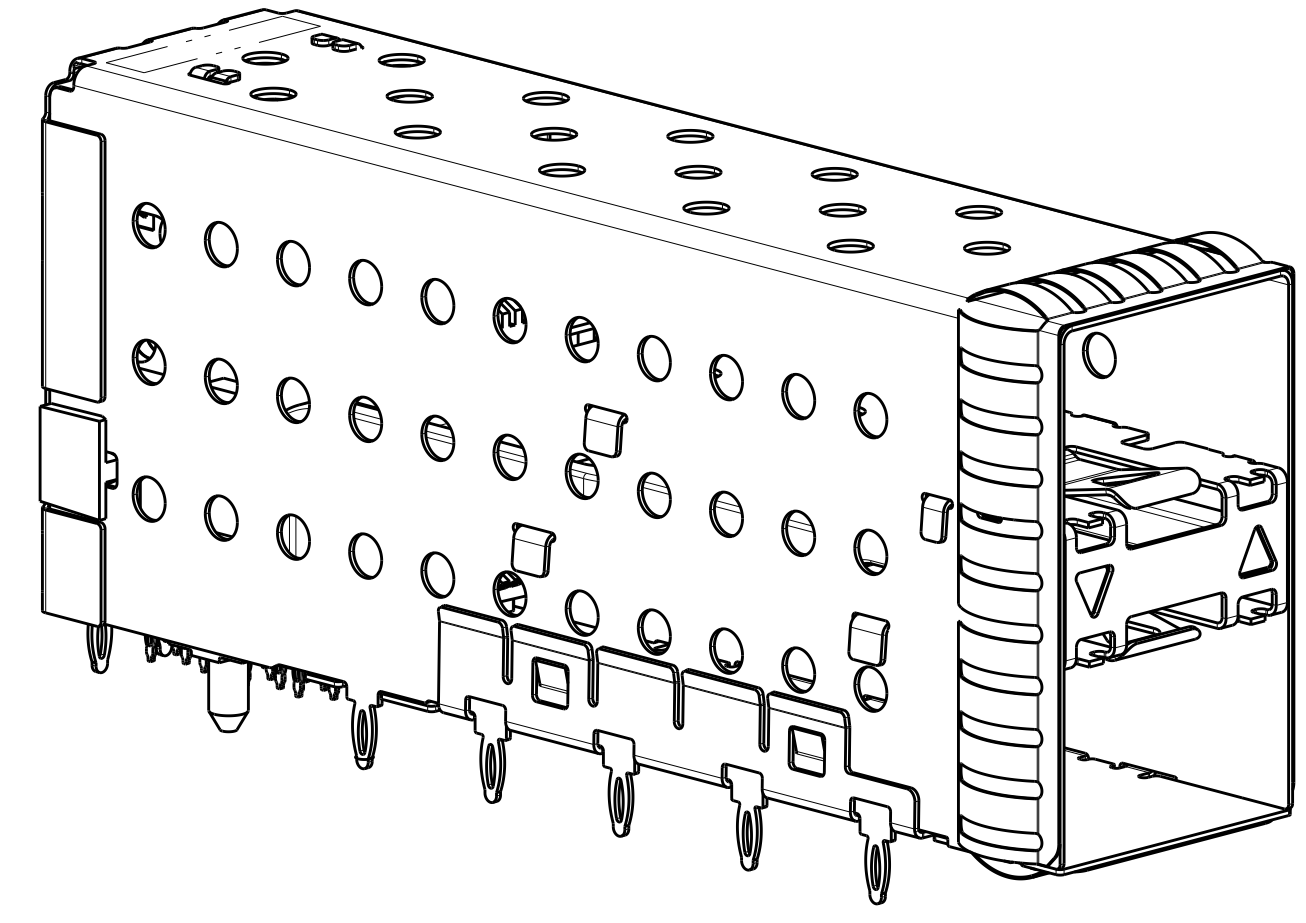
| LOC | DIST | REVISIONS | | | |
|-----|------|-------------|------|-----|------|
| P | LYR | DESCRIPTION | DATE | DWN | APVD |
| - | - | SEE SHEET 1 | - | - | - |
| | | | | | |
| | | | | | |



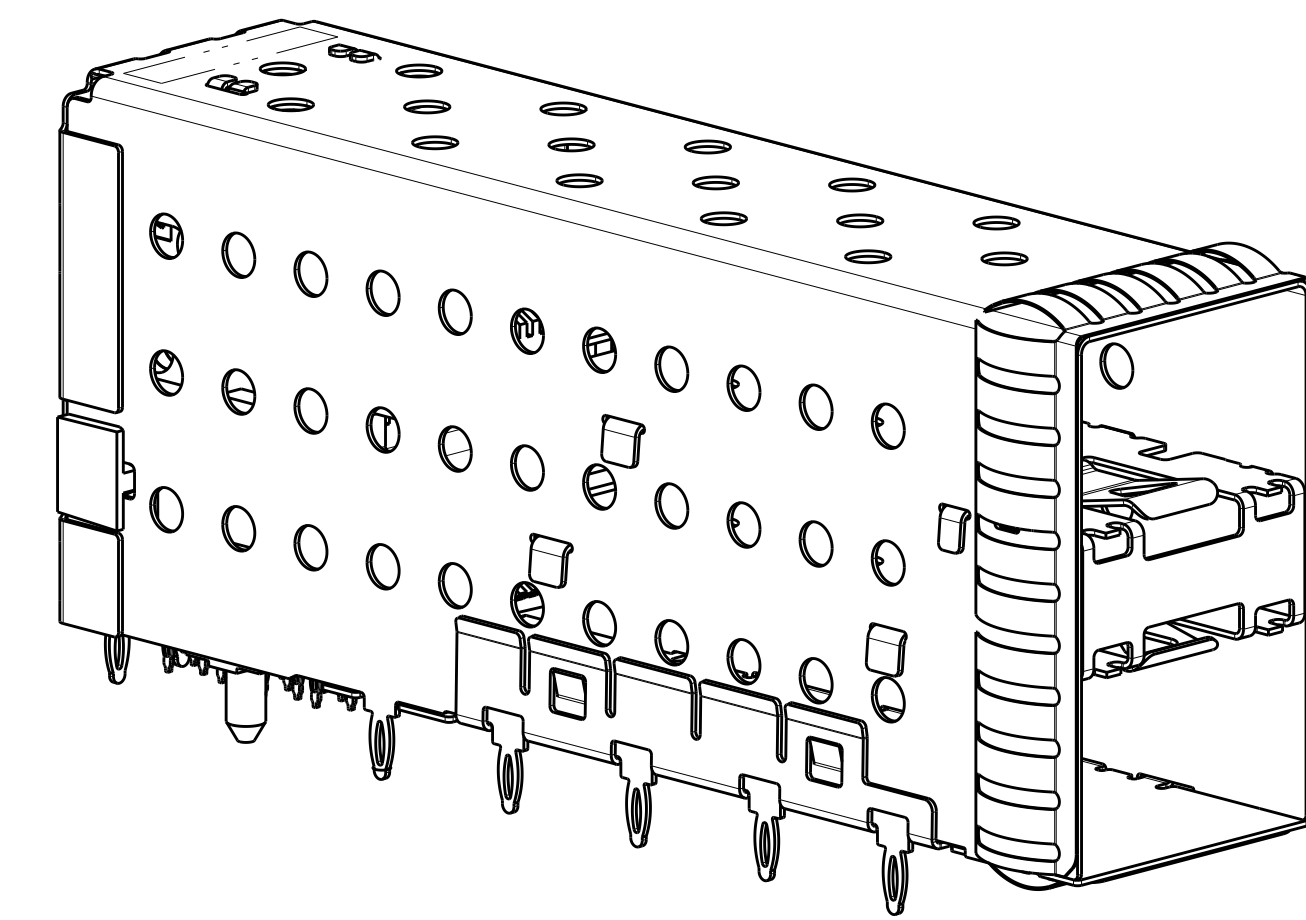
2007492-5 AND 1-2007492-5
 SCALE 3:1



2007492-6 AND 1-2007492-6
 SCALE 3:1



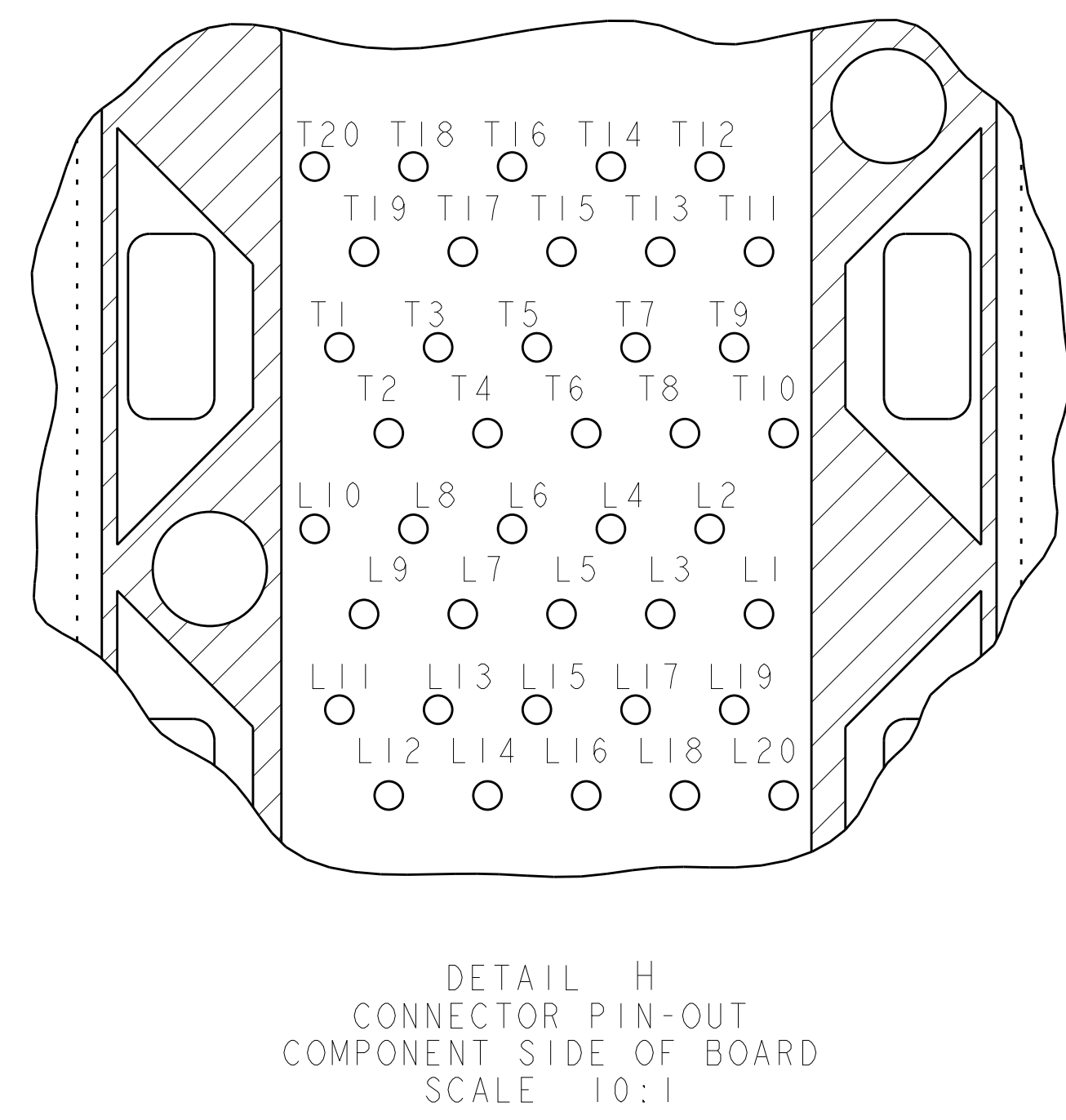
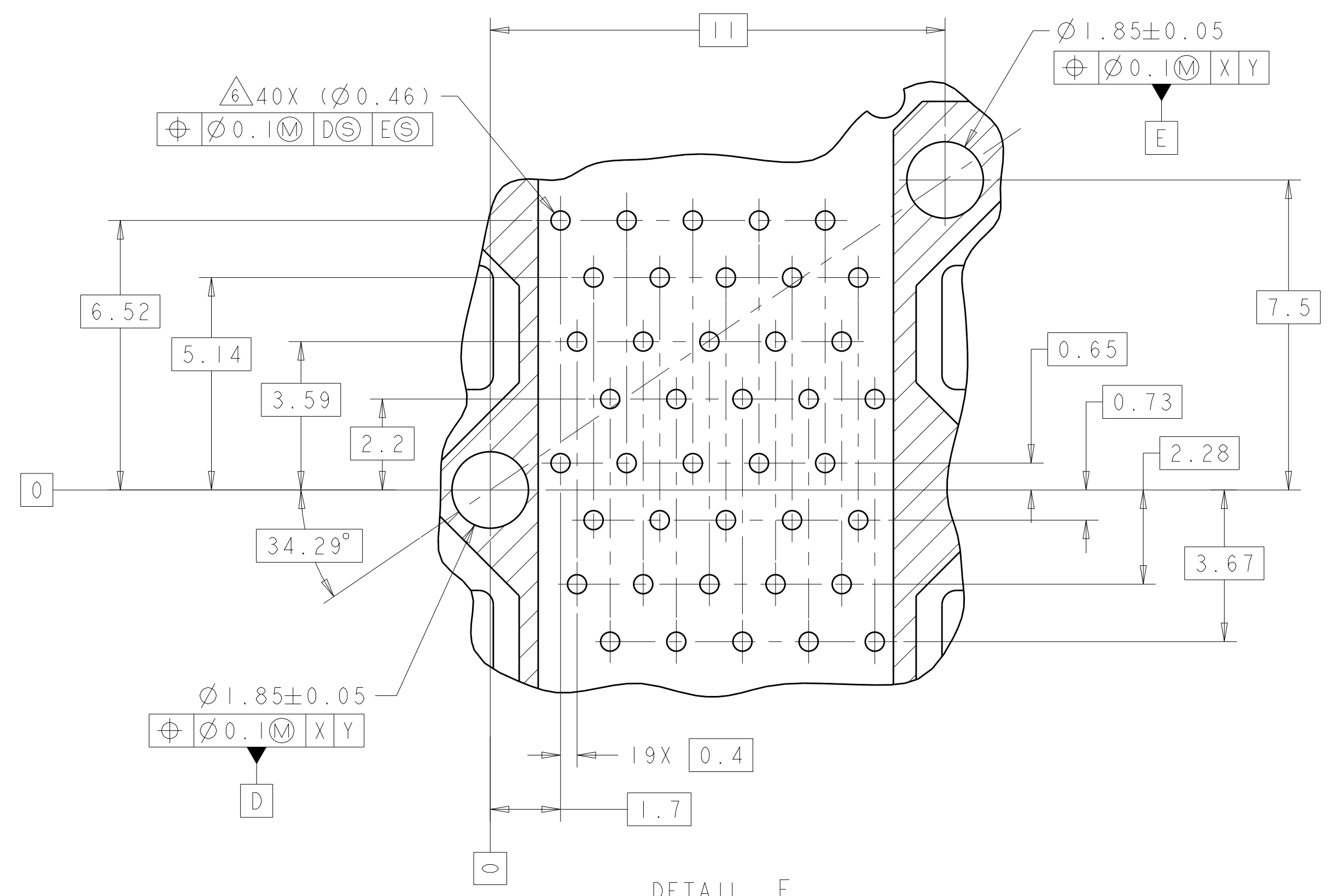
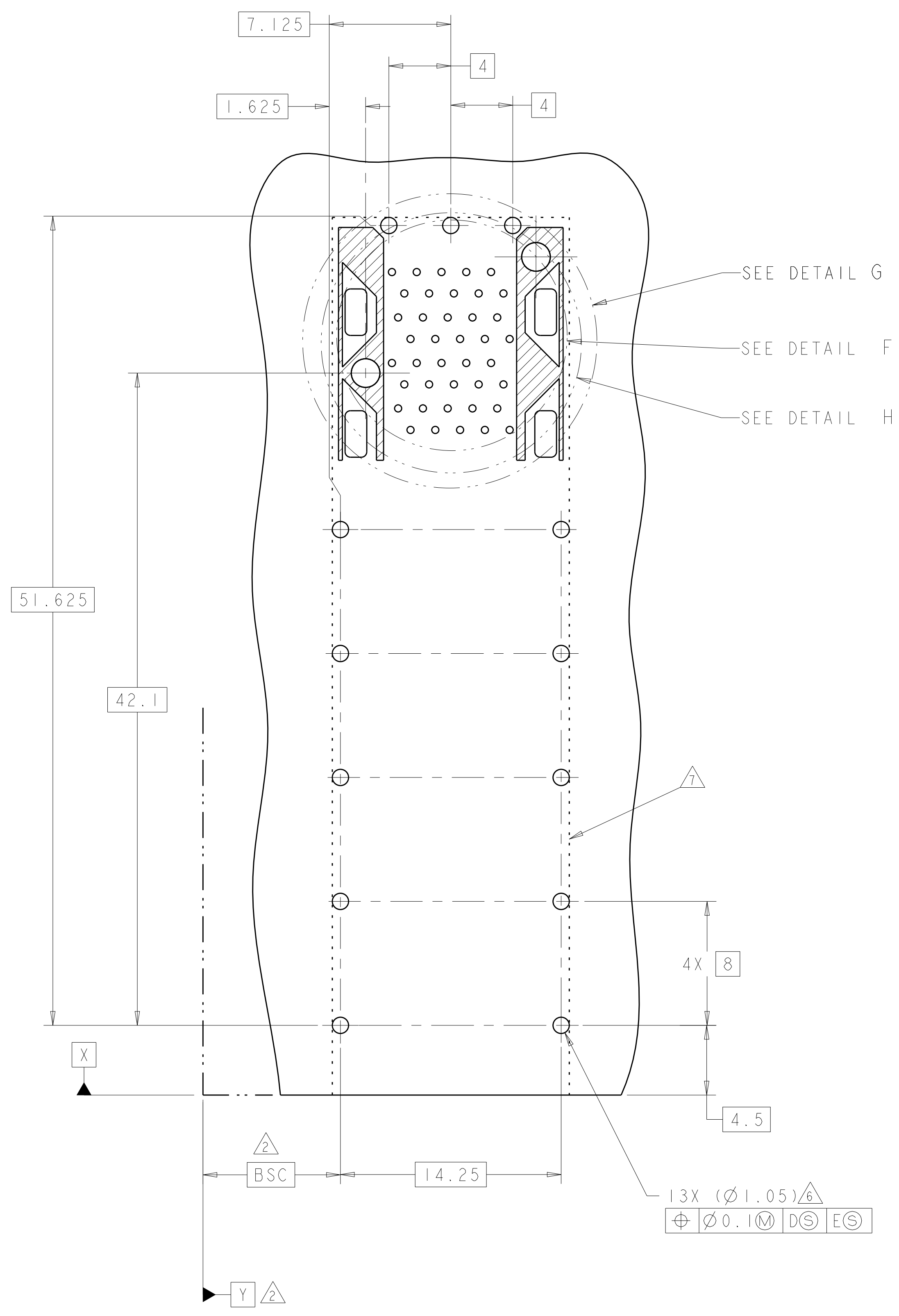
2007492-7 AND 1-2007492-7
 SCALE 3:1



2007492-8, 1-2007492-8 AND 2-2007492-8
 SCALE 3:1

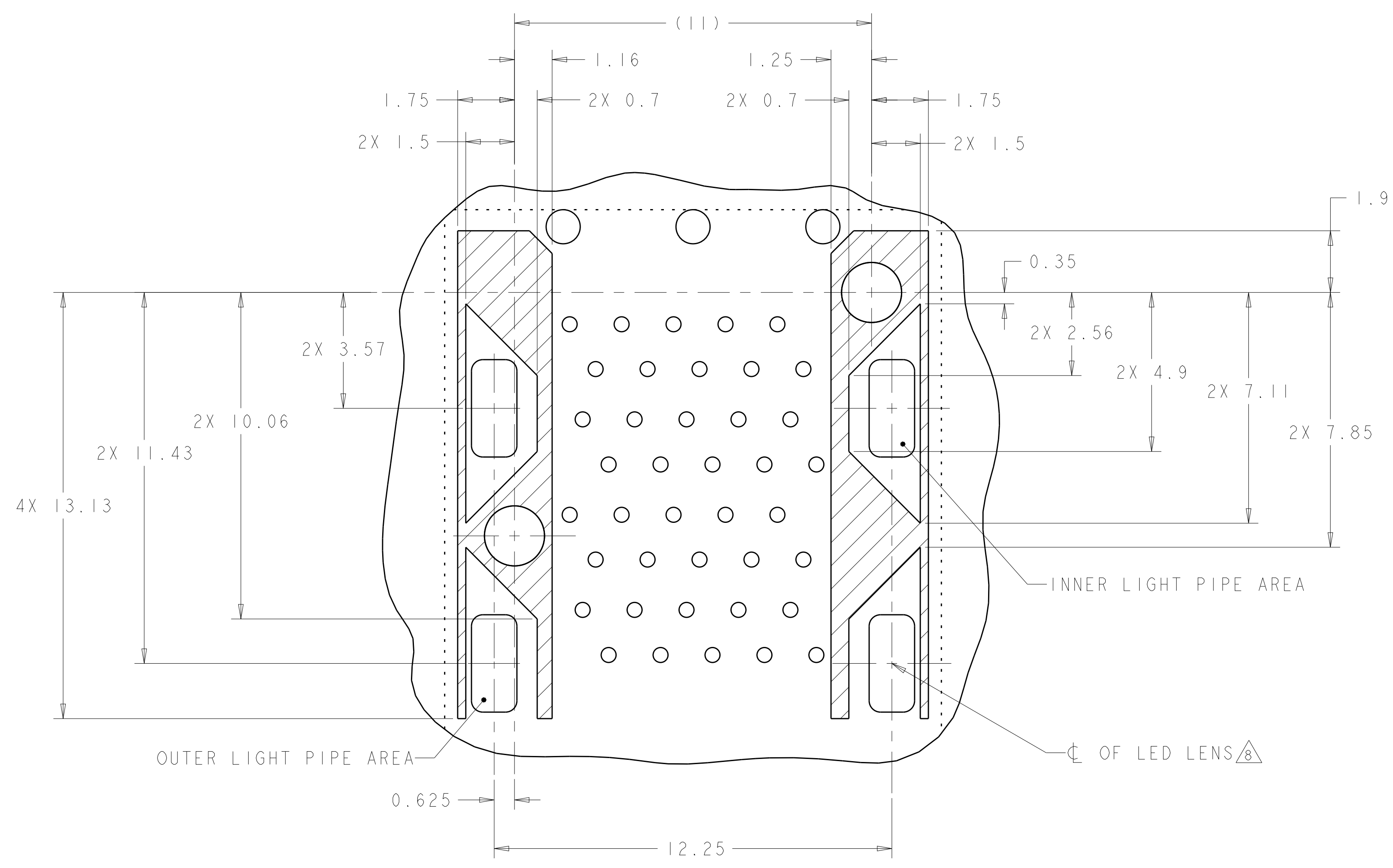
| | | | |
|--|--|--|-------------------------------|
| THIS DRAWING IS A CONTROLLED DOCUMENT. DIMENSIONING AND TOLERANCING PER ASME Y14.5M-2009. | | DWN: M. SHIRK 30NOV2007 CHK: D. SZCZESNY 30NOV2007 | TE Connectivity |
| DIMENSIONS: mm | | APVD: D. SZCZESNY 30NOV2007 | |
| TOLERANCES UNLESS OTHERWISE SPECIFIED: 0 PLC ±0.10 1 PLC ±0.10 2 PLC ±0.10 3 PLC ±0.10 4 PLC ±0.10 ANGLES ±° | | NAME: CAGE AND PT CONNECTOR ASSEMBLY, WITH EMI SPRINGS, PRESS FIT, 2X1, STACKED SFP+ | RESTRICTED TO |
| MATERIAL: FINISH: | | PRODUCT SPEC: 108-2331 APPLICATION SPEC: 114-13219 | |
| WEIGHT: - | | SIZE: A100779C=2007492 | SCALE: 5:1 SHEET 2 OF 4 REV F |
| CUSTOMER DRAWING | | | |

| LOC | DIST | REV | DATE | BY | APPV |
|-----------|------|-------------|------|----|------|
| GP | 00 | | | | |
| REVISIONS | | | | | |
| | | DESCRIPTION | DATE | BY | APPV |
| | | SEE SHEET 1 | | | |

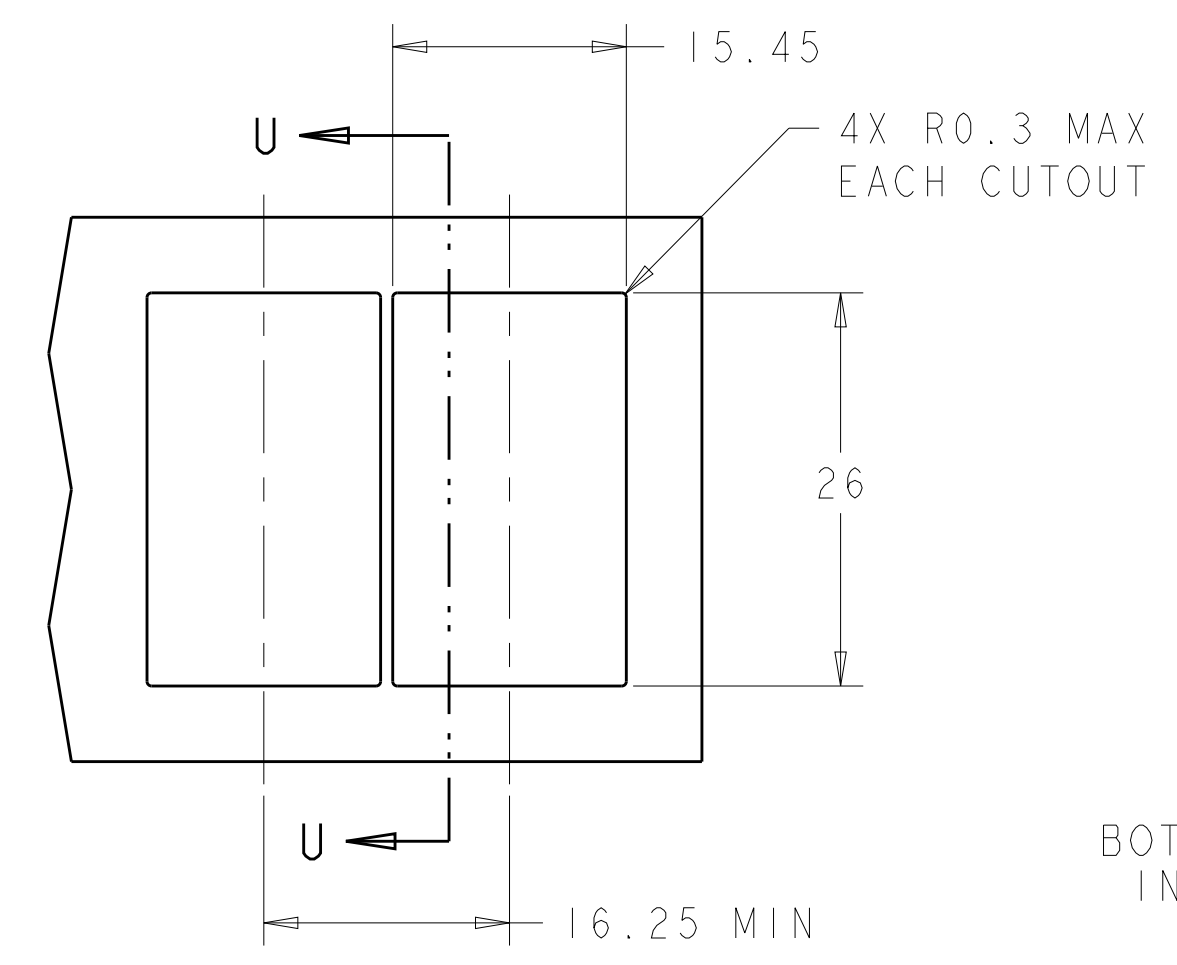


| | | | |
|--|--|---|---|
| THIS DRAWING IS A CONTROLLED DOCUMENT. DIMENSIONING AND TOLERANCING PER ASME Y14.5M-2009 | | OWN: M. SHIRK 30NOV2007 CHK: D. SZCZESNY 30NOV2007 APPV: D. SZCZESNY 30NOV2007 | TE Connectivity |
| DIMENSIONS: mm TOLERANCES UNLESS OTHERWISE SPECIFIED: 0 PLC ±0.10 1 PLC ±0.10 2 PLC ±0.10 3 PLC ±0.10 4 PLC ±0.10 ANGLES ±° | | NAME: CAGE AND PT CONNECTOR ASSEMBLY, WITH EMI SPRINGS, PRESS FIT, 2X1, STACKED SFP+ PRODUCT SPEC: 108-2331 APPLICATION SPEC: 114-13219 WEIGHT: - FINISH: - | |
| MATERIAL: - | | SIZE: A100779 CAGE CODE: - DRAWING NO: 2007492 CUSTOMER DRAWING | RESTRICTED TO: - SCALE: 5:1 SHEET: 3 OF 4 REV: F |

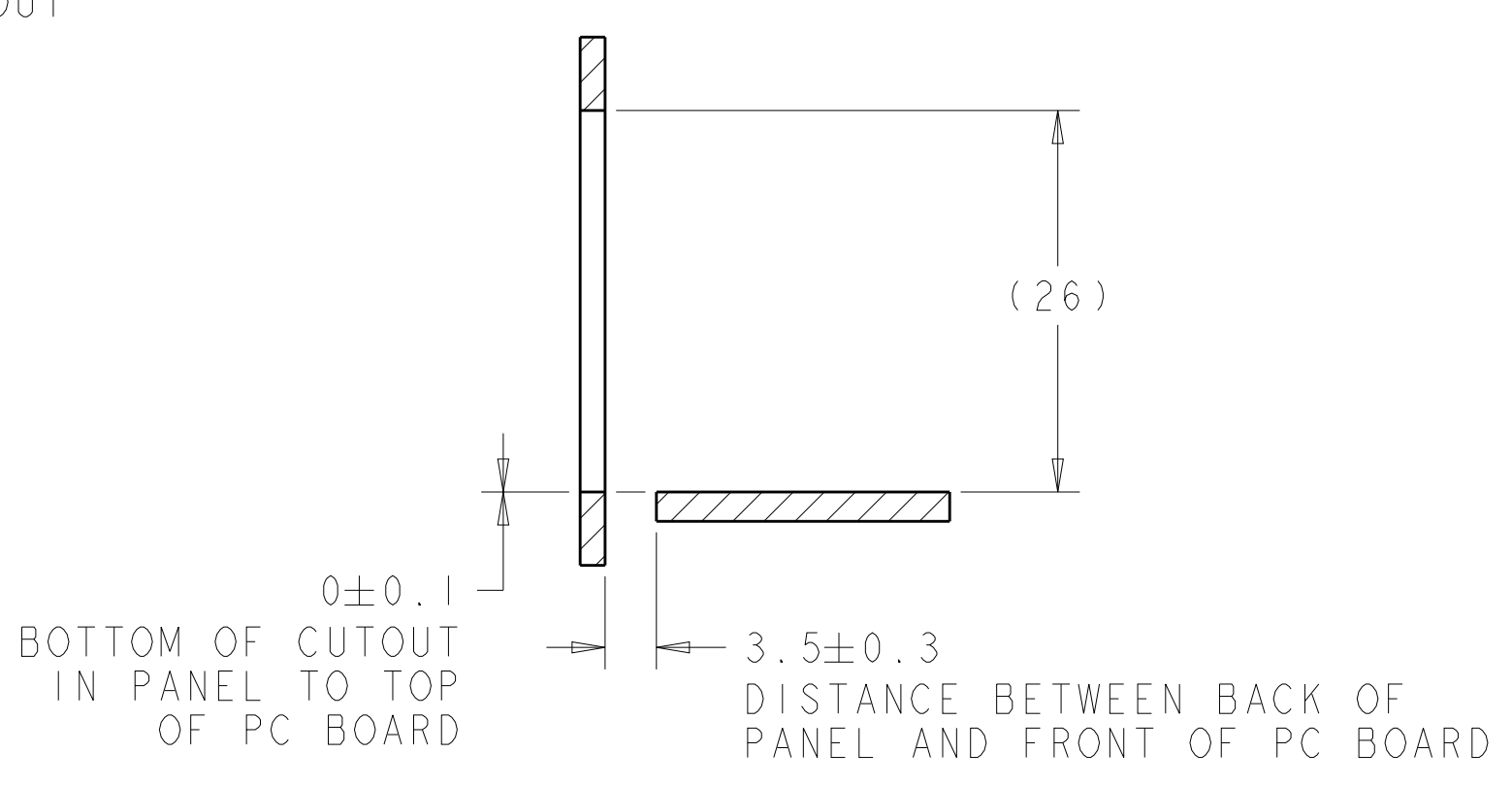
| LOC | | DIST | | REVISONS | | | |
|-----|----|------|-----|-------------|------|-----|------|
| GP | 00 | P | LTN | DESCRIPTION | DATE | DWN | APVD |
| | | - | | SEE SHEET 1 | - | - | - |
| | | | | | | | |
| | | | | | | | |



DETAIL G
 CONNECTOR HOUSING
 KEEPOUT ZONE
 SCALE 10:1



RECOMMENDED PANEL CUTOUT
 AND PC BOARD, PANEL POSITION
 SCALE 2:1



SECTION U-U

| | | | |
|---|--|--|---|
| THIS DRAWING IS A CONTROLLED DOCUMENT. DIMENSIONING AND TOLERANCING PER ASME Y14.5M-2009. | | DWN: M. SHIRK 30NOV2007 CHK: D. SZCZESNY 30NOV2007 APVD: D. SZCZESNY 30NOV2007 | TE Connectivity NAME: CAGE AND PT CONNECTOR ASSEMBLY, WITH EMI SPRINGS, PRESS FIT, 2X1, STACKED SFP+ |
| DIMENSIONS: mm | TOLERANCES UNLESS OTHERWISE SPECIFIED: | PRODUCT SPEC: 108-2331 APPLICATION SPEC: 114-13219 | |
| 0 PLC ±0.10 1 PLC ±0.10 2 PLC ±0.10 3 PLC ±0.10 4 PLC ±0.10 ANGLES ±° | FINISH | SIZE: A100779 CAGE CODE: C=2007492 DRAWING NO: 2007492 | RESTRICTED TO: - |
| MATERIAL | FINISH | WEIGHT: - | SCALE: 5:1 SHEET 4 OF 4 REV F |

单击下面可查看定价，库存，交付和生命周期等信息

[>>TE Connectivity\(泰科\)](#)