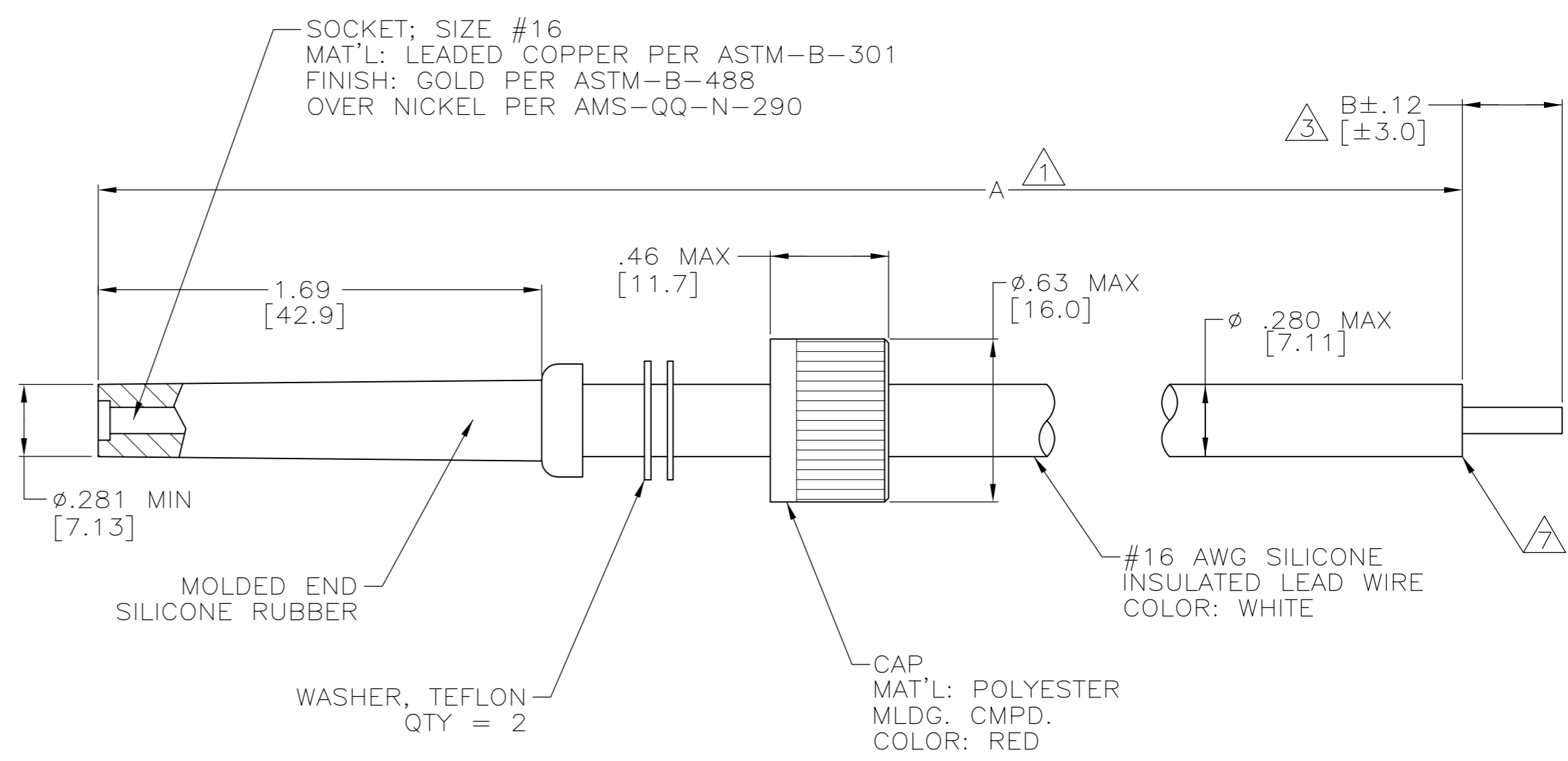


THIS DRAWING IS UNPUBLISHED. RELEASED FOR PUBLICATION - N/A -
 © COPYRIGHT N/A By - ALL RIGHTS RESERVED.

| LOC | | DIST | | REVISIONS | | | |
|-----|-----|-----------------------|----------|-----------|------|--|--|
| P | LTR | DESCRIPTION | DATE | DWN | APVD | | |
| J | | REV PER ECO 12-021676 | 12-11-12 | CT | DE | | |

| PART NO. | A ¹ | B | REMARKS |
|------------|-----------------|------------|---------------------------|
| 863705-1 | 11.00 [279.4] | - | ³ OBSOLETE |
| 863705-2 | 24.00 [609.6] | - | ³ OBSOLETE |
| 863705-3 | 6.50 [165.1] | .50 [12.7] | ³ |
| 863705-4 | 9.00 [228.6] | - | ³ OBSOLETE |
| 863705-5 | 36.00 [914.4] | .38 [9.7] | ³ |
| 863705-6 | 30.00 [762.0] | - | ³ |
| 863705-7 | 72.00 [1828.8] | - | ³ OBSOLETE |
| 863705-8 | 47.25 [1200.1] | .50 [12.7] | ³ OBSOLETE |
| 863705-9 | 20.25 [514.3] | .50 [12.7] | ³ OBSOLETE |
| 1-863705-0 | 8.00 [203.2] | .50 [12.7] | ³ |
| 1-863705-1 | 36.00 [914.4] | - | ³ OBSOLETE |
| 1-863705-2 | 12.00 [304.8] | .38 [9.7] | ³ |
| 1-863705-3 | 18.00 [457.2] | .38 [9.7] | ³ OBSOLETE |
| 1-863705-4 | 108.00 [2743.2] | - | ³ OBSOLETE |
| 1-863705-5 | 180.00 [4572.0] | - | ³ OBSOLETE |
| 1-863705-6 | 60.00 [1524.0] | .38 [9.7] | ³ |
| 1-863705-7 | 26.00 [660.4] | .38 [9.7] | ³ OBSOLETE |
| 1-863705-8 | 42.00 [1066.8] | .38 [9.7] | ³ OBSOLETE |
| 1-863705-9 | 54.00 [1371.6] | .38 [9.7] | ³ OBSOLETE |
| 2-863705-0 | 5.00 [127.0] | .38 [9.7] | ³ OBSOLETE |
| 2-863705-1 | 6.00 [152.4] | .38 [9.7] | ³ OBSOLETE |
| 2-863705-2 | 264.00 [6705.6] | .38 [9.7] | ³ OBSOLETE |
| 2-863705-3 | 17.00 [431.8] | .50 [12.7] | ³ OBSOLETE |
| 2-863705-4 | 48.00 [1219.2] | .38 [9.7] | ³ OBSOLETE |
| 2-863705-5 | 15.75 [400.0] | - | ³ OBSOLETE |
| 2-863705-6 | 10.25 [260.3] | .38 [9.7] | ³ |
| 2-863705-7 | 14.00 [355.6] | .38 [9.7] | ³ OBSOLETE |
| 2-863705-8 | 24.00 [609.6] | .38 [9.7] | ³ OBSOLETE |
| 2-863705-9 | 240.00 [6096.0] | .38 [9.7] | ³ OBSOLETE |
| 3-863705-0 | 84.00 [2133.6] | .38 [9.7] | ³ OBSOLETE |
| 3-863705-1 | 120.00 [3048.0] | .38 [9.7] | ³ OBSOLETE |
| 3-863705-2 | 96.00 [2438.4] | .38 [9.7] | ³ OBSOLETE |
| 3-863705-3 | 20.00 [508.0] | .38 [9.7] | ³ OBSOLETE |
| 3-863705-4 | 15.00 [381.0] | .38 [9.7] | ³ OBSOLETE |
| 3-863705-5 | 4.00 [101.6] | .38 [9.7] | ³ |
| 3-863705-6 | 118.00 [2997.2] | .38 [9.7] | ³ OBSOLETE |
| 3-863705-7 | 25.00 [635.0] | .38 [9.7] | ³ OBSOLETE |
| 3-863705-8 | 30.00 [762.0] | .38 [9.7] | ³ OBSOLETE |
| 3-863705-9 | 4.00 [101.6] | .38 [9.7] | ³ ⁶ |
| 6-863705-0 | 8.00 [203.2] | .50 [12.7] | ⁷ |
| 7-863705-8 | 24.00 [609.6] | .38 [9.7] | ⁷ |

- ¹ TOLERANCE OF LEAD LENGTH:
UP TO 24 INCHES [609.6] = ±.12 [±3.0]
24 INCHES [609.6] & UP = ±1%
- 2. MARKED PER MIL-STD-130.
- 3. PIGTAIL IS SOLDER DIPPED.
- 4. TO MATE WITH AMP LGH-1L RECEPTACLE WITH 1.69 [42.93] BARREL DEPTH.
- 5. OPERATING VOLTAGE: 25 KVDC AT 0 TO 70,000 FEET; -55°C TO 125°C.
- ⁶ 3-863705-9 IS PACKAGED PER CUSTOMER SPEC 301-0002-330.
- ⁷ INSULATION CUT, BUT NOT REMOVED.



| | | | | | |
|--|--------------|------------------|-----------|----------------------------|------------|
| THIS DRAWING IS A CONTROLLED DOCUMENT. | | DWN | 24-MAR-93 | STE TE Connectivity | |
| DIMENSIONS: INCHES [mm] | | CHK | 01-APR-93 | | |
| TOLERANCES UNLESS OTHERWISE SPECIFIED: | | APVD | 01-APR-93 | NAME | |
| 0 PLC ± - | | S.GLATFELTER | | LEAD ASSY | |
| 1 PLC ± - | | S.GLATFELTER | | SGL END | |
| 2 PLC ± .02 [0.5] | | S.GLATFELTER | | LGH-1L | |
| 3 PLC ± - | | S.GLATFELTER | | RESTRICTED TO | |
| 4 PLC ± - | | S.GLATFELTER | | - | |
| ANGLES ± - | FINISH | | WEIGHT | | SIZE |
| SEE CALLOUTS | SEE CALLOUTS | | - | | A2 |
| MATERIAL | | CUSTOMER DRAWING | | CAGE CODE | DRAWING NO |
| - | | - | | 00779 | 863705 |
| - | | - | | SCALE | SHEET |
| - | | - | | 2:1 | 1 OF 1 |
| - | | - | | REV | J |

单击下面可查看定价，库存，交付和生命周期等信息

[>>TE Connectivity\(泰科\)](#)