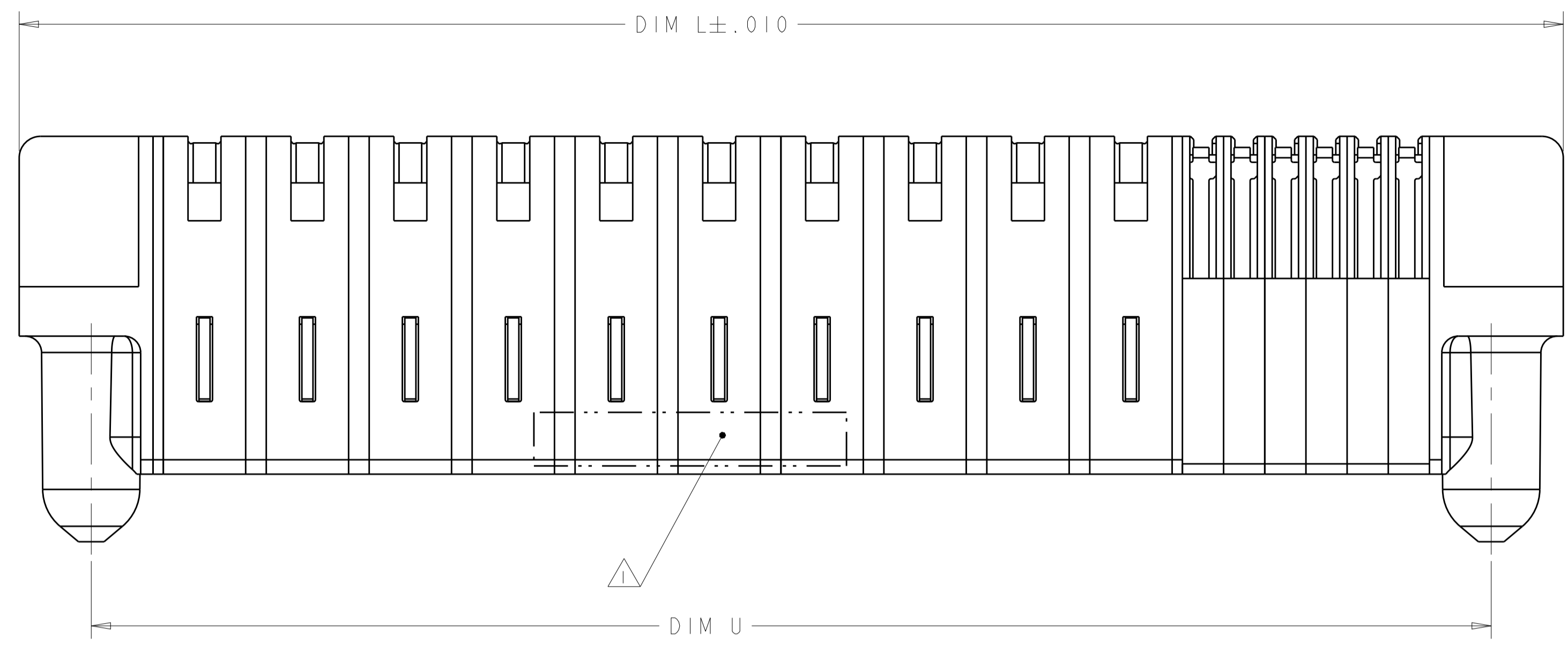
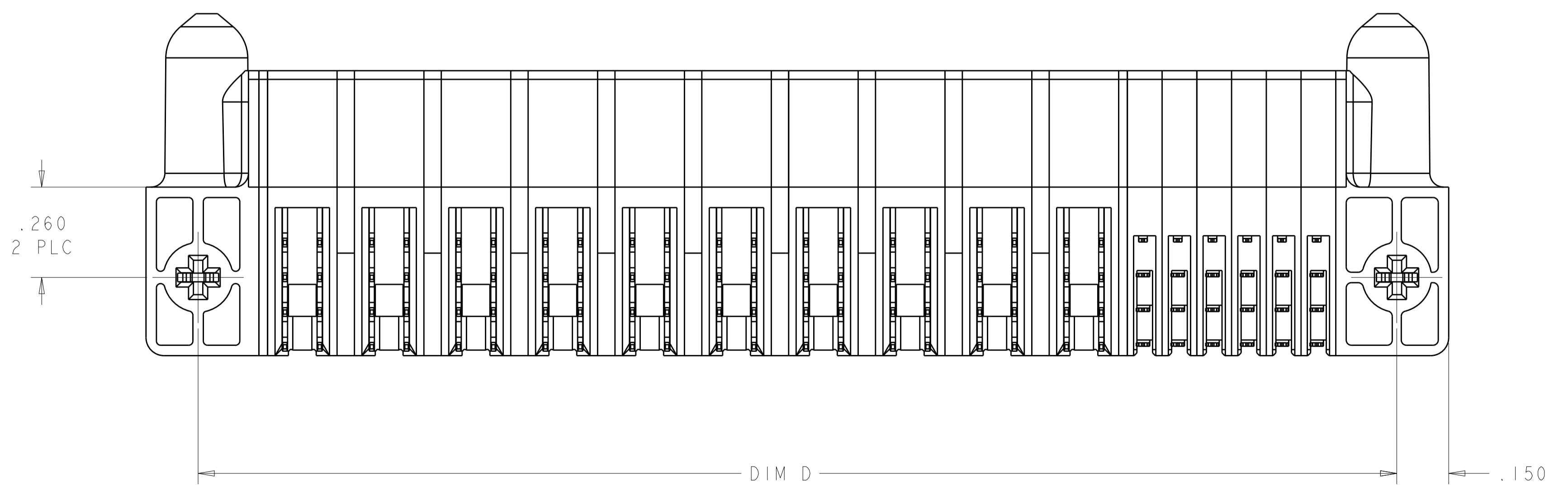
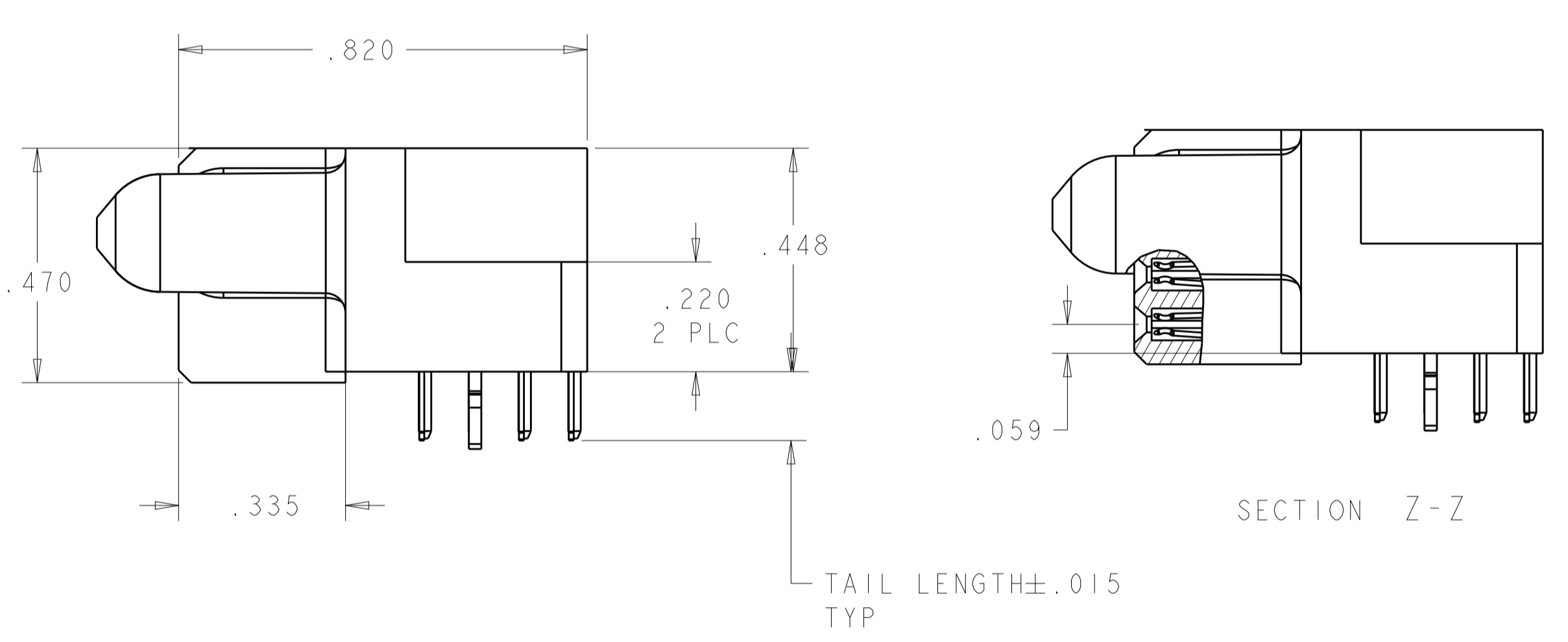
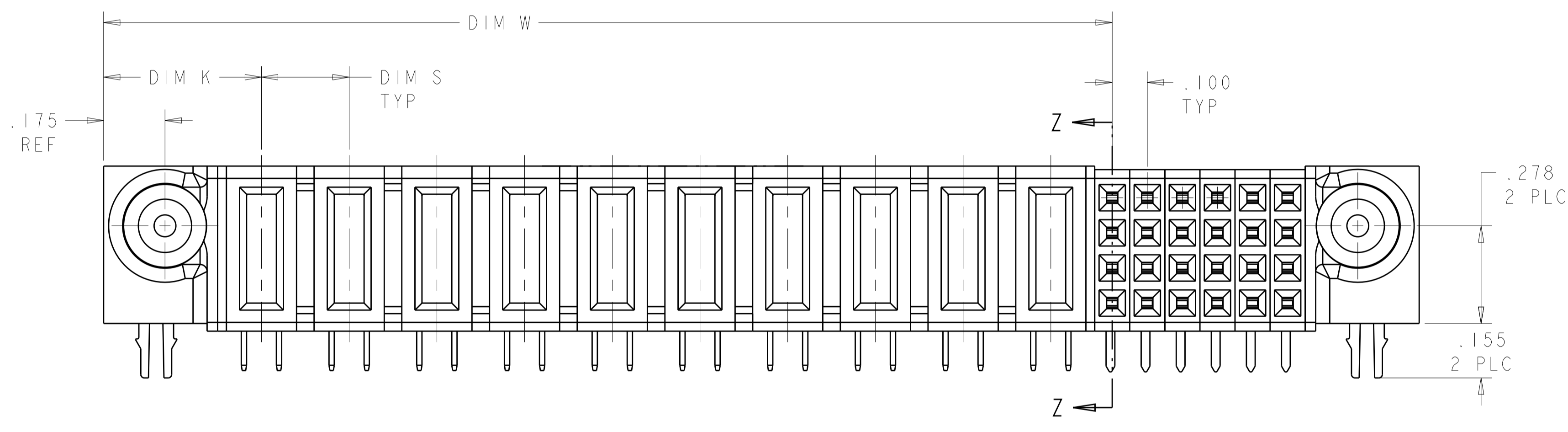


LOC	DIST	REVISIONS				
		REV	DESCRIPTION	DATE	BY	CHK
ES	00	D5	REV PER ECR-12-018919	31OCT2012	ML	SZ
		D6	UPDATED	12NOV2012	ML	SZ
		D7	REV PER ECR-13-006264	15APR2013	CZ	SZ



- 1 "AMP", PART NUMBER, AND DATE CODE TO BE MARKED IN AREA SHOWN.
- 2 MATERIAL: HOUSING - GLASS FILLED HIGH TEMP THERMO PLASTIC, UL94 V-0
SIGNAL CONTACT - HIGH CONDUCTIVITY COPPER ALLOY
POWER CONTACT - HIGH CONDUCTIVITY COPPER ALLOY
- 3 CONTACT PLATING: NOBLE METAL PLATING ON CONTACT FUNCTIONAL AREA OF POWER AND SIGNAL CONTACTS.
- 4 MECHANICAL CONNECTOR KEEP OUT ZONE.
- 5 DATUM AND BASIC DIMENSIONS ESTABLISHED BY CUSTOMER.
- 6 PCB - ALL HOLE DIAMETERS ARE FINISHED HOLE SIZES.
- 7 PCB - .0453 +/- .0010 DRILLED HOLES PLATED WITH .0003 MIN Sn OVER .001 TO .003 PLATING TO ACHIEVE A .040 DIA. HOLE.
- 8 RECEPTACLE ASSY HAS ONE MOUNTING HOLE AND ONE HOLD DOWN.
- 9 NOT RELEASED FOR PRODUCTION.



	2.400	.250	1.875	2.450	-	2.750	.450	24S + 6P	1-6450161-7
	1.600	.250	1.375	1.650	-	1.950	.450	12S + 4P	1-6450161-6
	1.600	.250	1.375	1.650	-	1.950	.450	12S + 4P	1-6450161-5
	1.700	.250	1.375	1.750	-	2.050	.450	16S + 4P	1-6450161-3
	3.800	.250	2.875	3.850	-	4.150	.450	40S + 10P	1-6450161-1
	1.800	.250	1.375	1.850	-	2.150	.450	20S + 4P	1-6450161-0
9	1.400	.250	1.375	1.450	-	1.750	.450	4S + 4P	6450161-7
	2.900	.250	2.375	2.950	-	3.250	.450	24S + 8P	6450161-6
	1.800	.250	1.375	1.850	-	2.150	.450	20S + 4P	6450161-5
	4.400	.250	3.875	4.450	-	4.750	.450	24S + 14P	6450161-4
	3.400	.250	2.875	3.450	-	3.750	.450	24S + 10P	6450161-3
	2.400	.250	1.875	2.450	-	2.750	.450	24S + 6P	6450161-2
8	1.700	.250	1.375	1.750	-	2.050	.450	16S + 4P	6450161-1
	DIM U	DIM S	DIM W	DIM D	DIM M	DIM L	DIM K	DESCRIPTION	PART NUMBER

THIS DRAWING IS A CONTROLLED DOCUMENT. DWG: R.GRZYBOWSKI 21FEB05
CHK: M.PERCHEKE 21FEB05

DIMENSIONS: INCHES. TOLERANCES UNLESS OTHERWISE SPECIFIED:
 0 PLC ±.01
 1 PLC ±.01
 2 PLC ±.01
 3 PLC ±.005
 4 PLC ±.0020
 ANGLES ±.0020

MATERIAL: FINISH: 2

APVD: M.PERCHEKE NAME: R. GRZYBOWSKI 21FEB05
 PRODUCT SPEC: 108-1973
 APPLICATION SPEC: 114-13038
 WEIGHT: CUSTOMER DRAWING

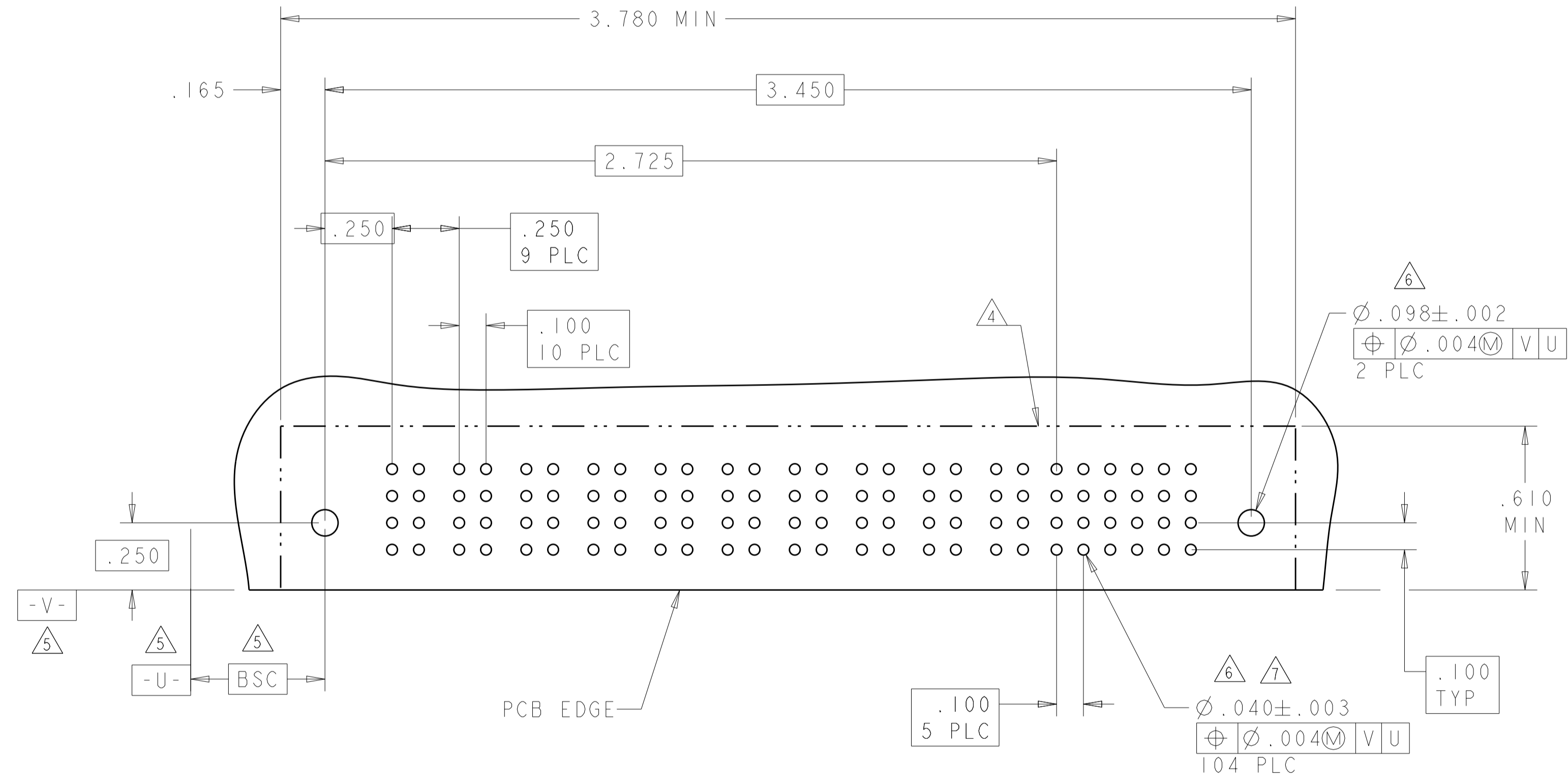
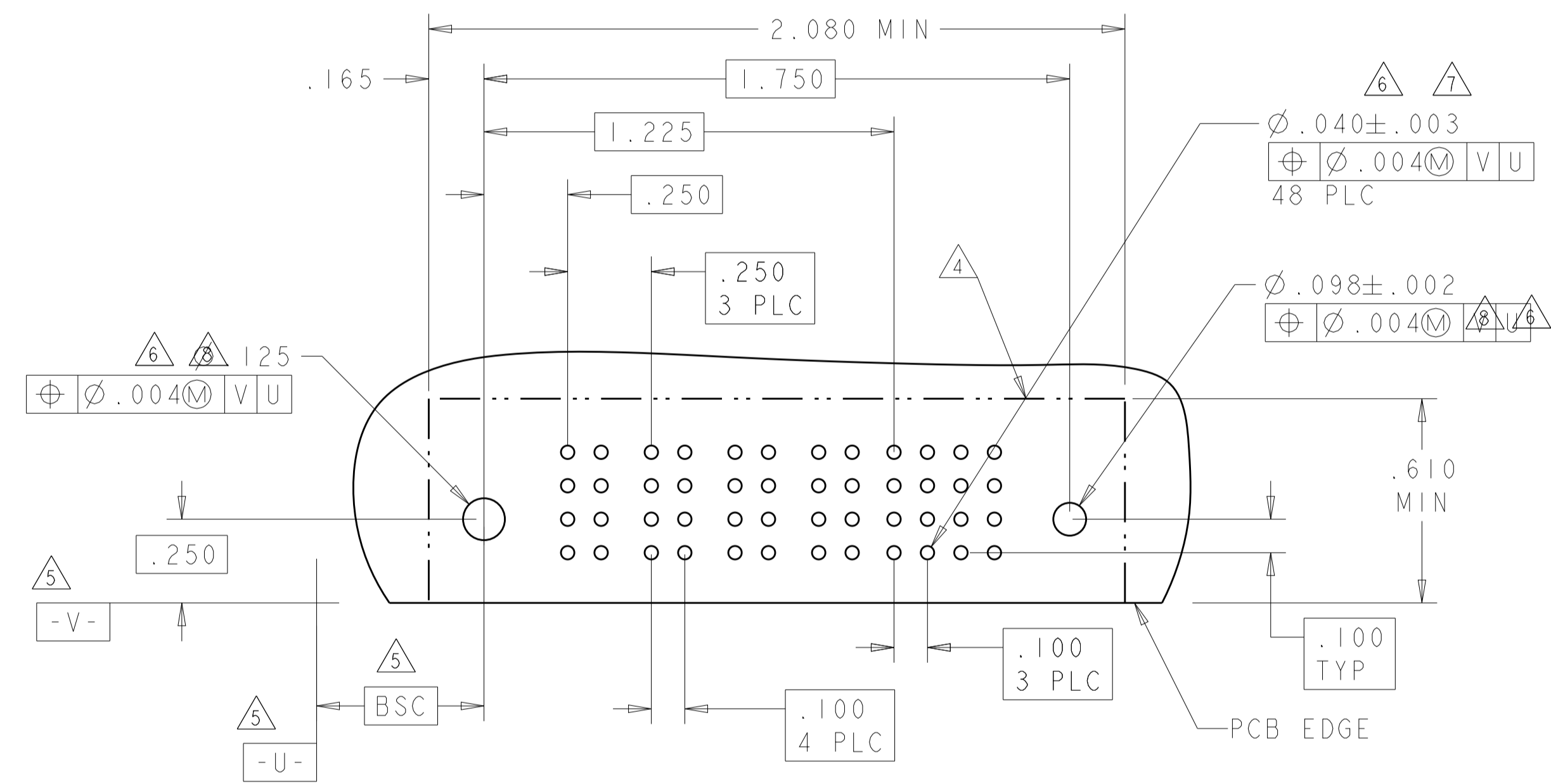
SCALE: 4:1 SHEET 1 OF 6 REV D7

TE Connectivity
 RIGHT ANGLE RECEPTACLE ASSEMBLY WITH GUIDES, END MODULES MULTI-BEAM XL
 A100779C=6450161

LOC	DIST	REV	DATE	BY	APPD
ES	00				
		DESCRIPTION	DATE	BY	APPD
		SEE SHEET 1			

PART NUMBER	ROWS	POWER				SIGNAL				HD
		P4	P3	P2	P1	4	3	2	1	
6450161-1	D C B A	RA	RA	RA	RA	H	H	H	H	
						G	G	G	G	
						F	F	F	F	
						E	E	E	E	
16S + 4P										

PART NUMBER	ROWS	POWER										SIGNAL					HD			
		P10	P9	P8	P7	P6	P5	P4	P3	P2	P1	6	5	4	3	2		1		
6450161-3	D C B A	RA	RA	RA	RA	RA	RA	RA	RA	RA	RA	RA	RA	RA	H	H	H	H	H	H
														G	G	G	G	G	G	
														F	F	F	F	F	F	
														E	E	E	E	E	E	
24S + 10P																				



CODE	TAIL LENGTH	DESCRIPTION	CODE	TAIL LENGTH	ROW
RM	.135	STD	L	.090	D
RA	.135	MFBL	K	.090	C
RN	.090	STD	J	.090	B
RB	.090	MFBL	I	.090	A
			H	.135	D
			G	.135	C
			F	.135	B
			E	.135	A

POWER CONTACT			SIGNAL CONTACT		
RM	.135	STD	L	.090	D
RA	.135	MFBL	K	.090	C
RN	.090	STD	J	.090	B
RB	.090	MFBL	I	.090	A

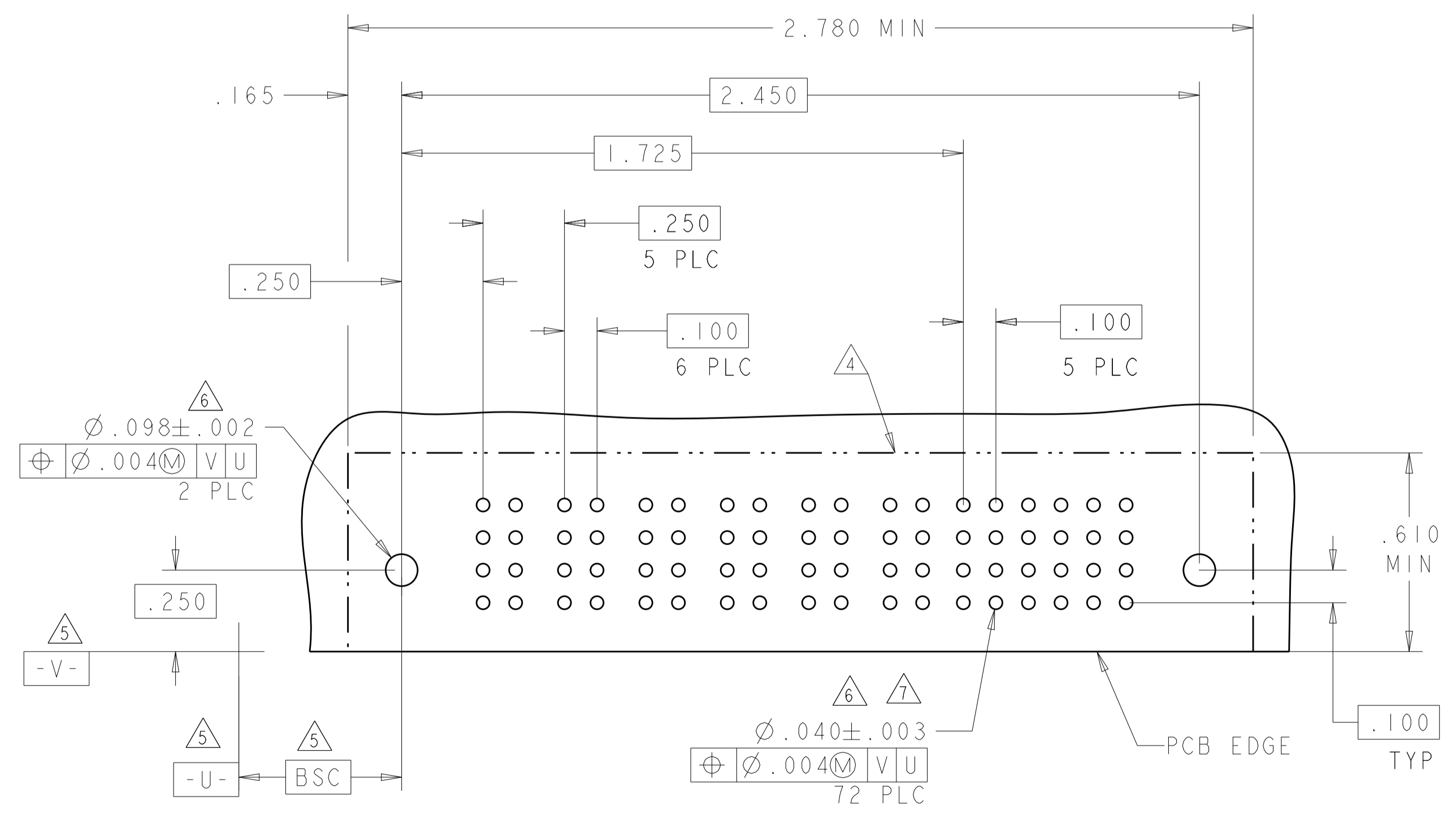
THIS DRAWING IS A CONTROLLED DOCUMENT.		OWN	R. GRZYBOWSKI	21FEB05
DIMENSIONS:		CHK	M. PERCERKE	21FEB05
INCHES		APVD	M. PERCERKE	
TOLERANCES UNLESS OTHERWISE SPECIFIED:		NAME		
0 PLC	±	RGT ANGLE RECEPTACLE ASSEMBLY WITH GUIDES, END MODULES MULTI-BEAM XL		
2 PLC	±.01	PRODUCT SPEC		
3 PLC	±.05	108-1973		
4 PLC	±.005	APPLICATION SPEC		
5 PLC	±.0020	114-13038		
ANGLES	±	WEIGHT		
FINISH		A100779C=6450161		
MATERIAL		CUSTOMER DRAWING		

SCALE 4:1		SHEET 2 OF 6		REV 07
-----------	--	--------------	--	--------

PART NUMBER	ROWS	POWER						SIGNAL					
		P6	P5	P4	P3	P2	P1	6	5	4	3	2	1
		6450161-2	D C B A	RA	RA	RA	RA	RA	RA	H	H	H	H
24S + 6P								G	G	G	G	G	G
								F	F	F	F	F	F
								E	E	E	E	E	E

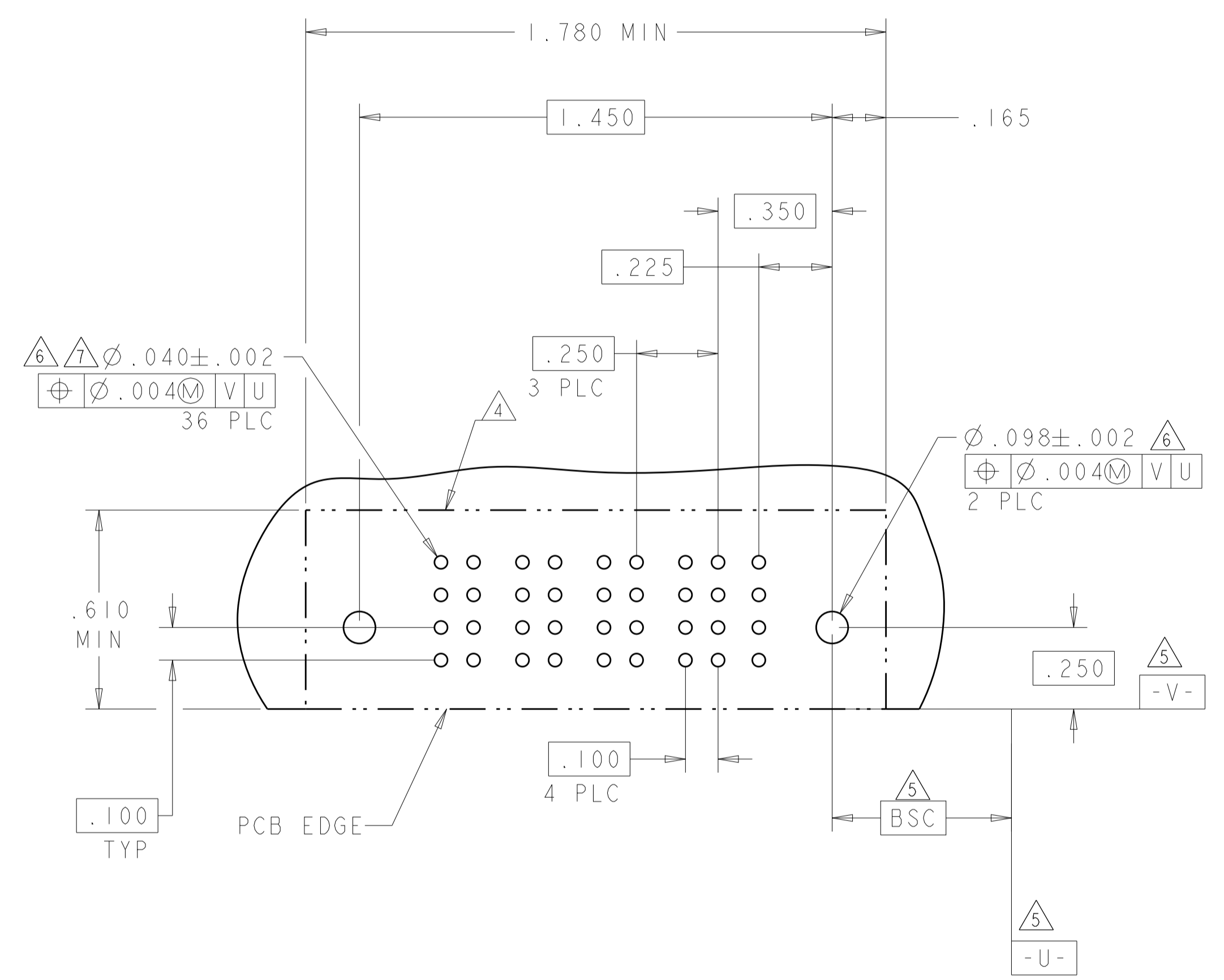
PART NUMBER	ROWS	POWER						SIGNAL					
		P6	P5	P4	P3	P2	P1	6	5	4	3	2	1
		1-6450161-7	D C B A		RA	RA	RA	RA		H	H	H	H
24S + 6P								G	G	G	G	G	G
								F	F	F	F	F	F
								E	E	E	E	E	E

NO CONTACTS LOADED



PCB LAYOUT FOR PART NUMBER: 6450161-2, 1-6450161-7

PART NUMBER	ROWS	POWER				SIGNAL	
		P4	P3	P2	P1	I	
6450161-7	D C B A	RM	RM	RM	RM	H	
4S + 4P						G	
						F	
						E	



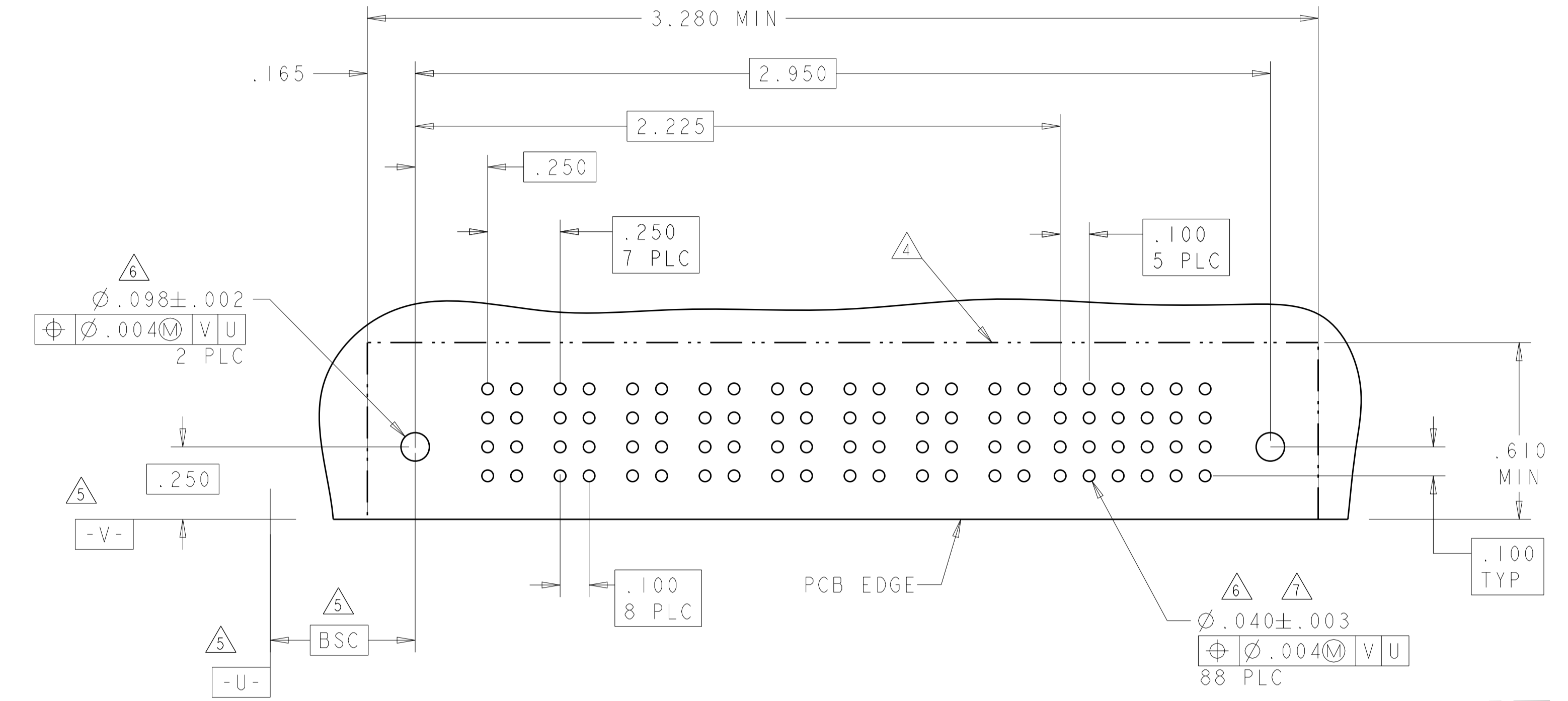
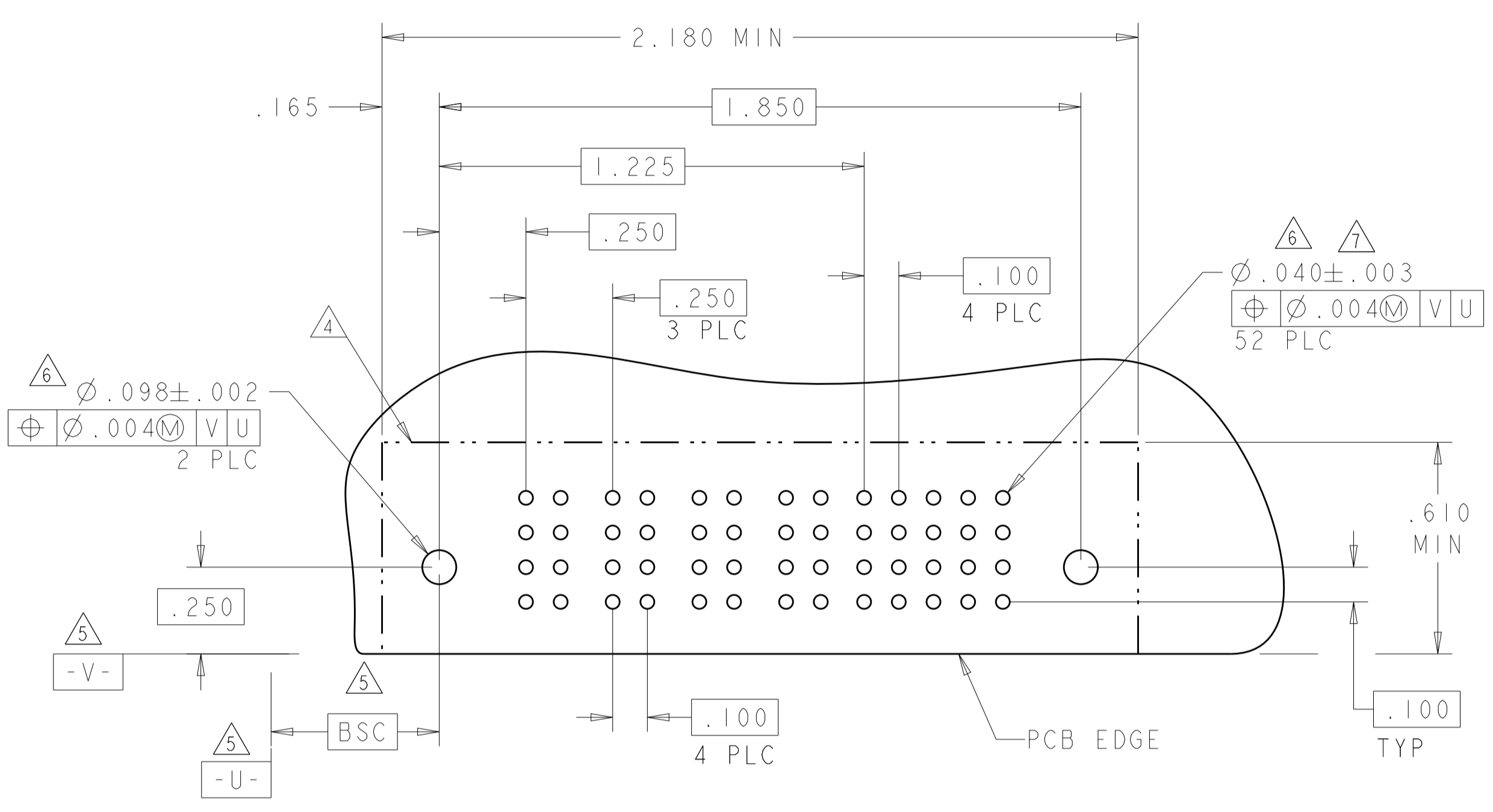
THIS DRAWING IS A CONTROLLED DOCUMENT.		DWN	
DIMENSIONS:		CHK	
TOLERANCES UNLESS OTHERWISE SPECIFIED:		APVD	NAME
0 PLC ± 1 PLC ± 2 PLC ± 3 PLC ± 4 PLC ± ANGLES ±		PRODUCT SPEC	
MATERIAL FINISH		APPLICATION SPEC	RESTRICTED TO
		WEIGHT	SCALE SHEET OF REV
		SIZE CAGE CODE DRAWING NO	A1

PART NUMBER	ROWS	POWER				SIGNAL				
		P4	P3	P2	P1	5	4	3	2	1
6450161-5	D C B A	RA	RA	RA	RA	H	H	H	H	H
						G	G	G	G	G
						F	F	F	F	F
						E	E	E	E	E

20S + 4P

PART NUMBER	ROWS	POWER								SIGNAL					
		P8	P7	P6	P5	P4	P3	P2	P1	6	5	4	3	2	1
6450161-6	D C B A	RA	RA	RA	RA	RA	RA	RA	RA	H	H	H	H	H	H
										G	G	G	G	G	G
										F	F	F	F	F	F
										E	E	E	E	E	E

24S + 8P

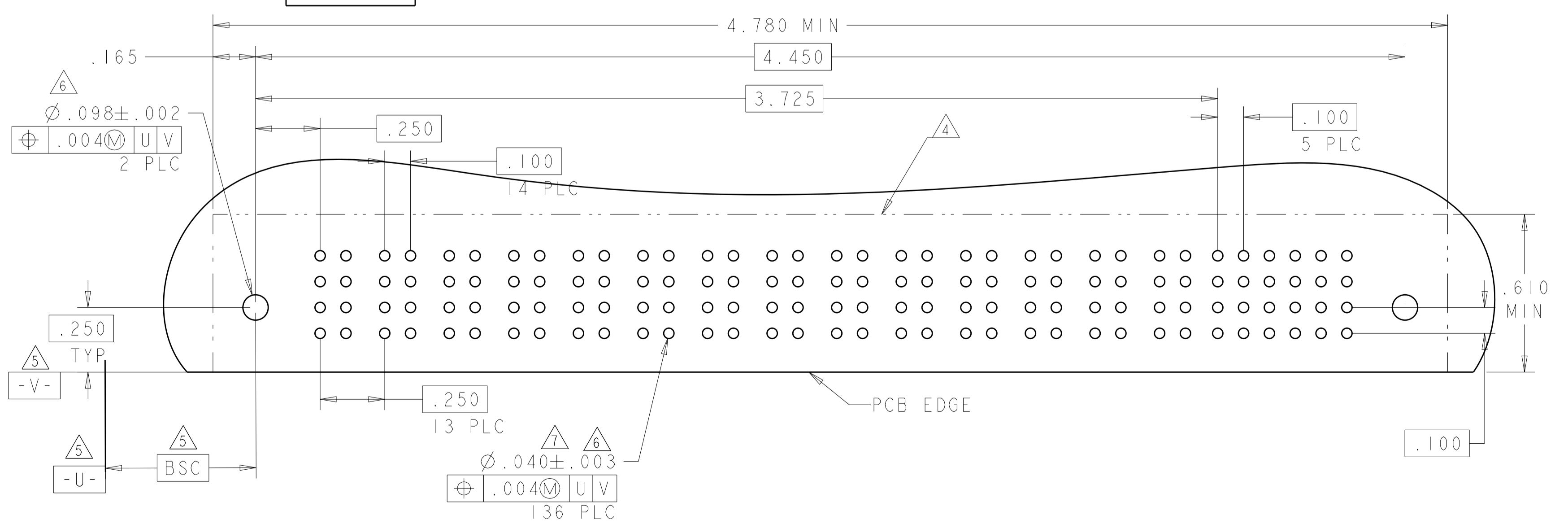
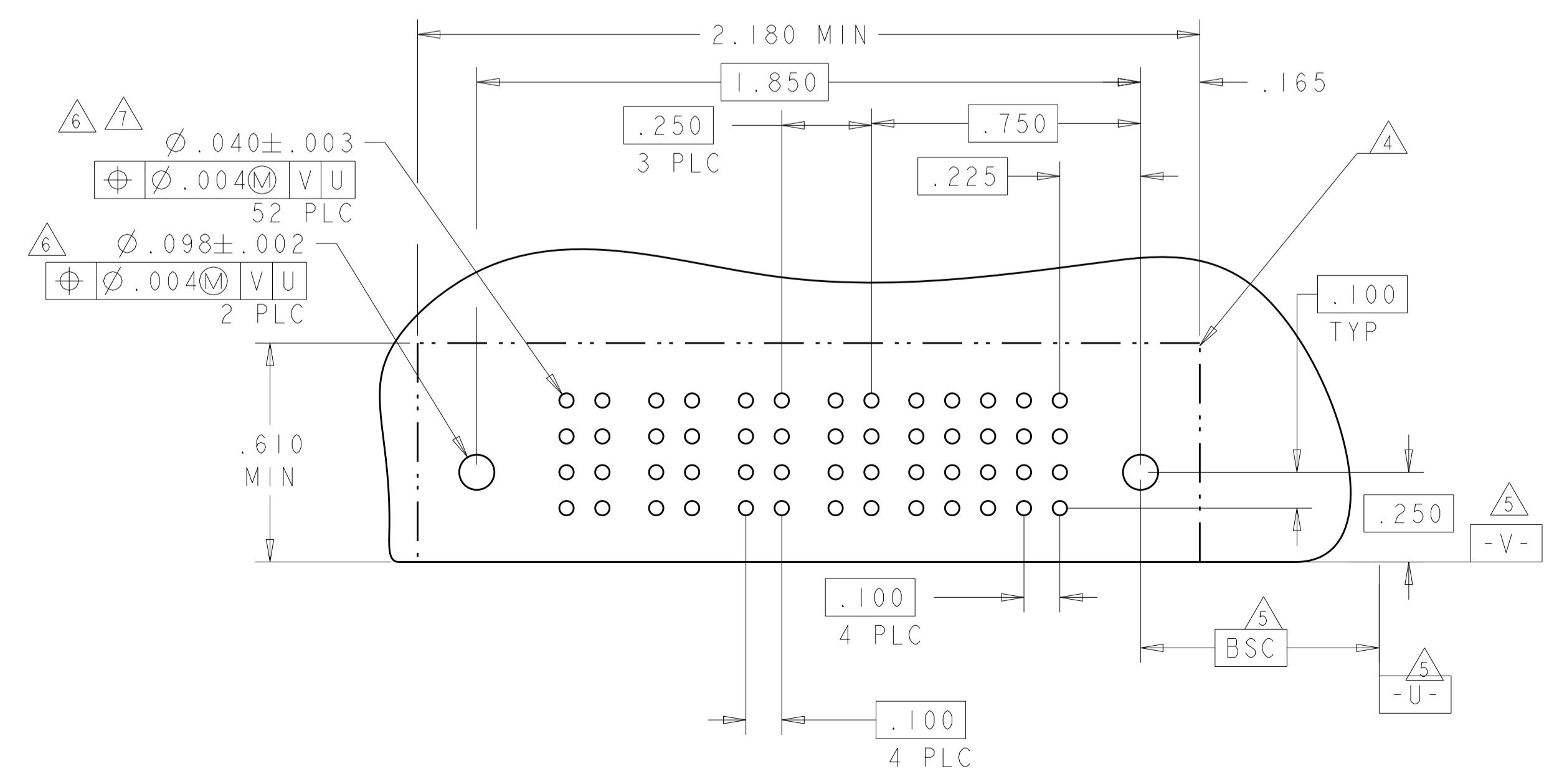


PART NUMBER	ROWS	POWER				SIGNAL				
		P4	P3	P2	P1	5	4	3	2	1
1-6450161-0	D C B A	RM	RM	RM	RM	H	H	H	H	H
						G	G	G	G	G
						F	F	F	F	F
						E	E	E	E	E

20S + 4P

PART NUMBER	ROWS	POWER										SIGNAL								
		P14	P13	P12	P11	P10	P9	P8	P7	P6	P5	P4	P3	P2	P1	6	5	4	3	2
6450161-4	D C B A	RA	RA	RA	RA	RA	RA	RA	RA	RA	RA	RA	RA	RA	H	H	H	H	H	H
															G	G	G	G	G	G
															F	F	F	F	F	F
															E	E	E	E	E	E

24S + 14P

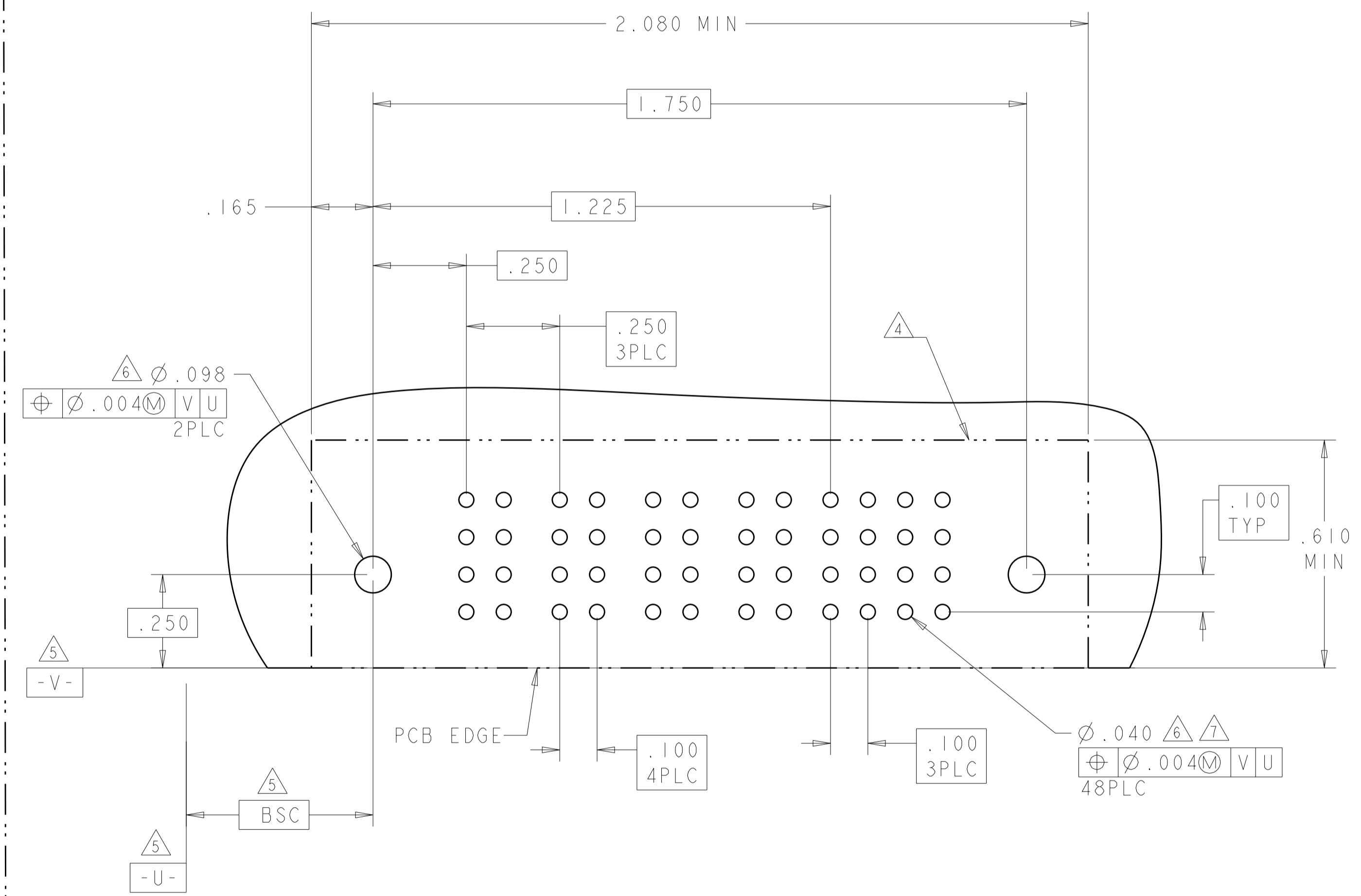
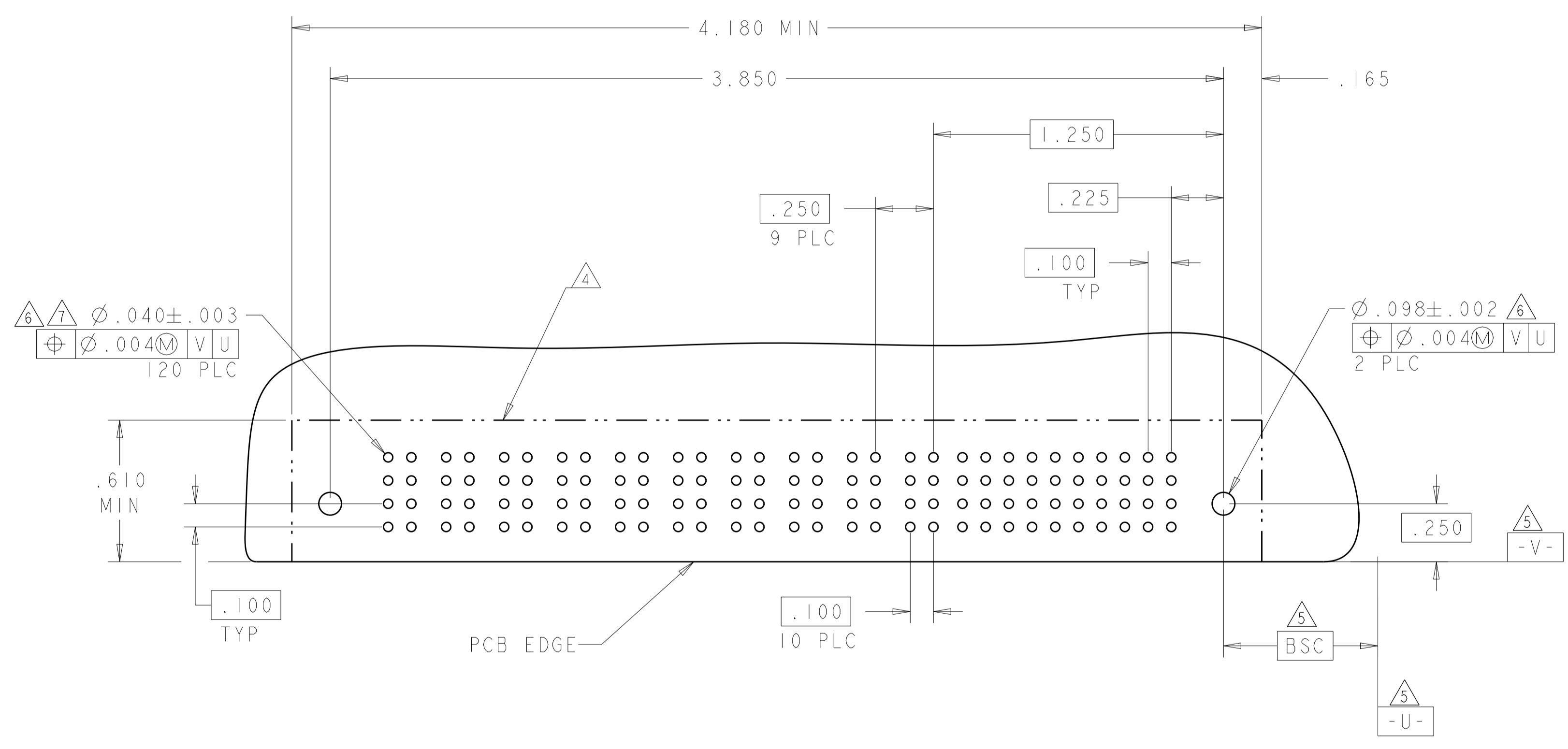


THIS DRAWING IS A CONTROLLED DOCUMENT.		OWN: R. GRZYBOWSKI 21FEB05		TE Connectivity
DIMENSIONS: INCHES		CHK: M. PERCHERKE		RIGHT ANGLE RECEPTACLE ASSEMBLY WITH GUIDES, END MODULES MULTI-BEAM XL
TOLERANCES UNLESS OTHERWISE SPECIFIED:		APVD: M. PERCHERKE	NAME	
0 PLC ± .01		PRODUCT SPEC	108-1973	
1 PLC ± .01		APPLICATION SPEC	114-13038	
2 PLC ± .005		WEIGHT	A100779C=6450161	
3 PLC ± .002		SCALE	4:1	
4 PLC ± .002		SHEET	4 OF 6	
ANGLES ± .002		REV	D7	
FINISH		CUSTOMER DRAWING		

LOC	DIST	REVISIONS			
P	LTN	DESCRIPTION	DATE	DMN	APVD
-	-	SEE SHEET 1	-	-	-

PART NUMBER	ROWS	POWER										SIGNAL																
		P10	P9	P8	P7	P6	P5	P4	P3	P2	P1	I10	I9	I8	I7	I6	I5	I4	I3	I2	I1							
1-6450161-1	D C B A	RM	RM	RM	RM	RM	RM	RM	RM	RM	H	H	H	H	H	H	H	H	H	H	H	H	H	H	H	H	H	H
											G	G	G	G	G	G	G	G	G	G	G	G	G	G	G	G	G	G
											F	F	F	F	F	F	F	F	F	F	F	F	F	F	F	F	F	F
											E	E	E	E	E	E	E	E	E	E	E	E	E	E	E	E	E	E
40S + 10P																												

PART NUMBER	ROWS	POWER				SIGNAL							
		P4	P3	P2	P1	4	3	2	1				
1-6450161-3	D C B A	RA	RA	RA	RA	H	H	H	H	H	H	H	H
						G	G	G	G	G	G	G	G
						F	F	F	F	F	F	F	F
						E	E	E	E	E	E	E	E
16S + 4P													



THIS DRAWING IS A CONTROLLED DOCUMENT.

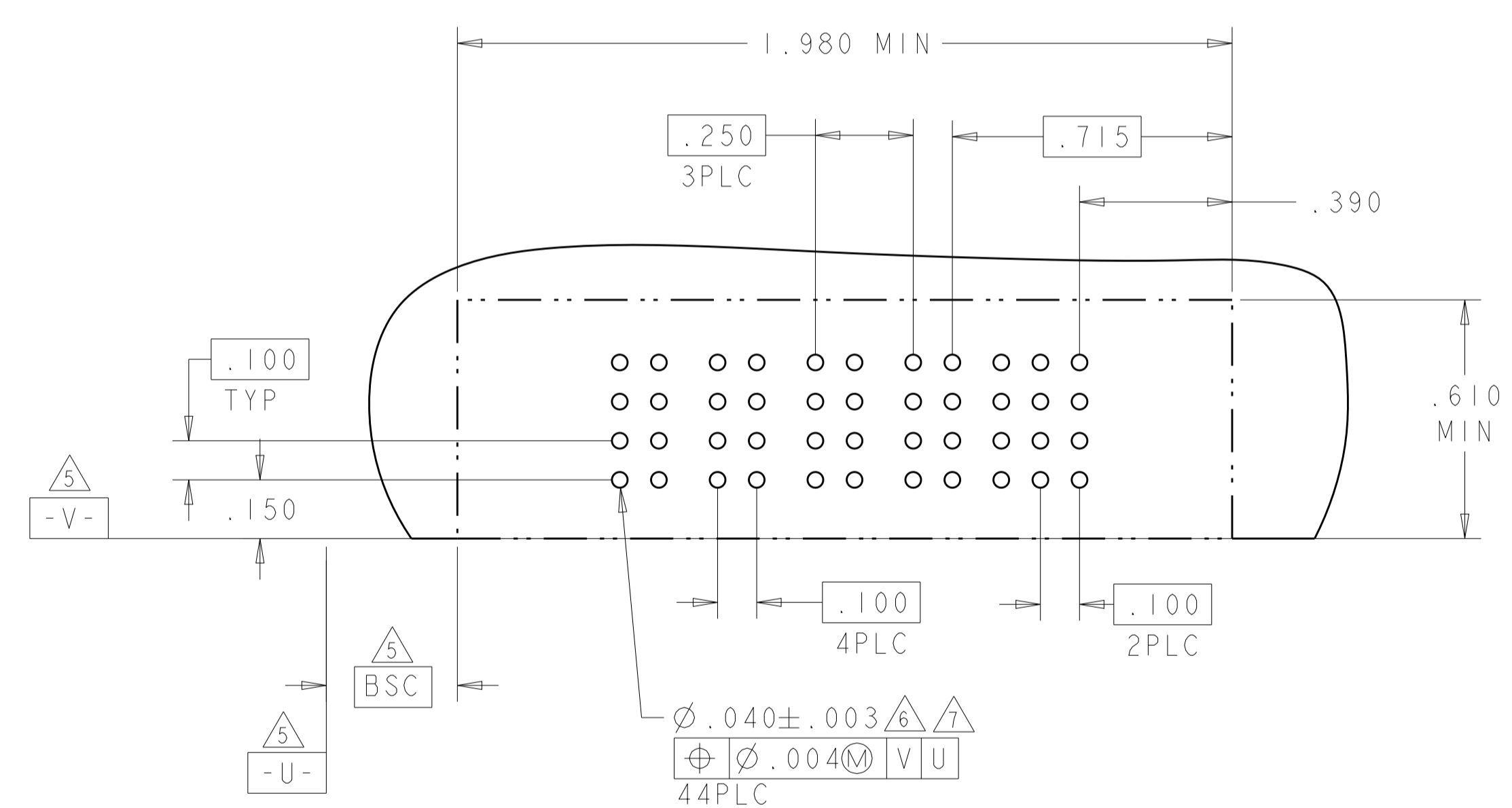
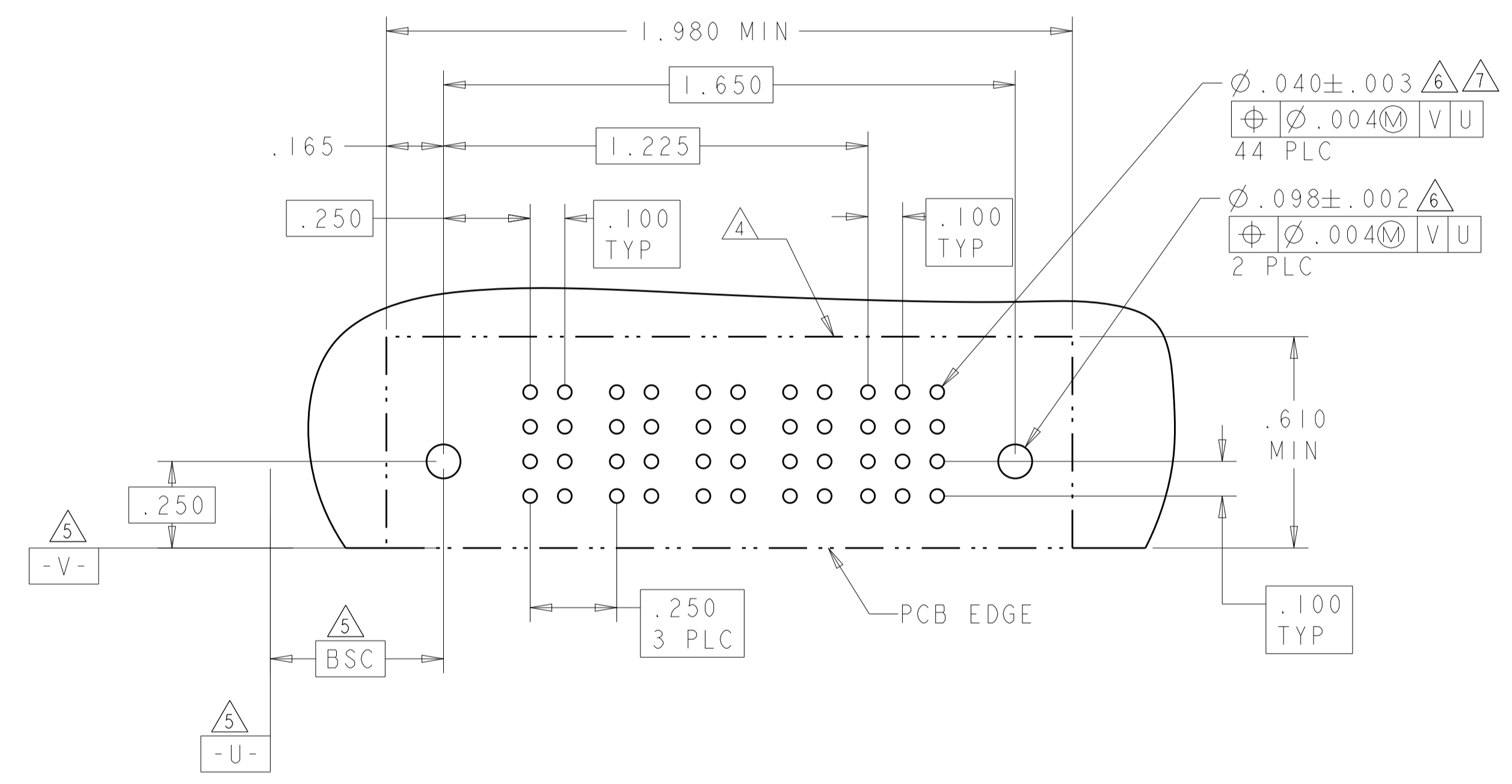
DIMENSIONS: INCHES 	TOLERANCES UNLESS OTHERWISE SPECIFIED: 0 PLC ±. 1 PLC ±.01 2 PLC ±.01 3 PLC ±.005 4 PLC ±.0020 ANGLES ±.0020	DWG: R.GRZYBOWSKI 21FEB05 CHK: M.PERCHEKE 21FEB05 APVD: M.PERCHEKE NAME: - PRODUCT SPEC: - 108-1973 APPLICATION SPEC: - 114-13038 WEIGHT: -	TE Connectivity NAME: RIGHT ANGLE RECEPTACLE ASSEMBLY WITH GUIDES, END MODULES MULTI-BEAM XL SIZE: A1 CAGE CODE: 6450161 DRAWING NO: 100779 SCALE: 4:1 SHEET: 5 OF 6 REV: 07 RESTRICTED TO: -
---------------------------	--	---	---

CUSTOMER DRAWING

LOC		DIST		REVISIONS			
P	LTN	DESCRIPTION	DATE	DMN	APVD		
-	-	SEE SHEET 1	-	-	-	-	-

PART NUMBER	ROWS	POWER				SIGNAL		
		P4	P3	P2	P1	3	2	1
1-6450161-5	D C B A	RM	RM	RM	RM	H G F E	H G F E	H G F E
12S + 4P		HD						HD

PART NUMBER	ROWS	POWER				SIGNAL		
		P4	P3	P2	P1	3	2	1
1-6450161-6	D C B A	RM	RM	RM	RM	H G F E	H G F E	H G F E
12S + 4P								



THIS DRAWING IS A CONTROLLED DOCUMENT.		DMN: R. GRZYBOWSKI 21FEB05	TE Connectivity
DIMENSIONS: INCHES		CHK: M. PERCERKE	
TOLERANCES UNLESS OTHERWISE SPECIFIED:		APVD: M. PERCERKE	NAME: RIGHT ANGLE RECEPTACLE ASSEMBLY WITH GUIDES, END MODULES MULTI-BEAM XL
0 PLC ±. 1 PLC ±.01 2 PLC ±.01 3 PLC ±.005 4 PLC ±.0020 ANGLES ±.020		PRODUCT SPEC: 108-1973	SIZE: 114-13038
MATERIAL: -		APPLICATION SPEC: 114-13038	RESTRICTED TO: -
FINISH: -		WEIGHT: -	SCALE: 4:1
CUSTOMER DRAWING		SIZE: A100779	SHEET 6 OF 6
		DWG NO: 6450161	REV: 7

单击下面可查看定价，库存，交付和生命周期等信息

[>>TE Connectivity\(泰科\)](#)