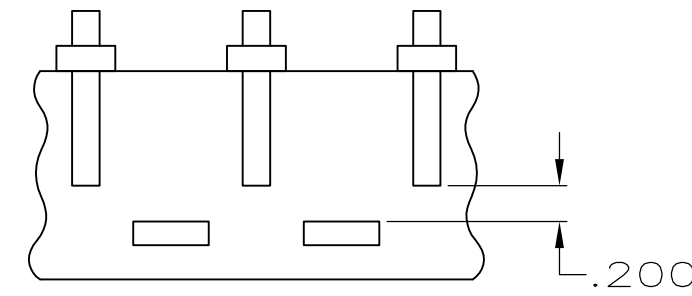
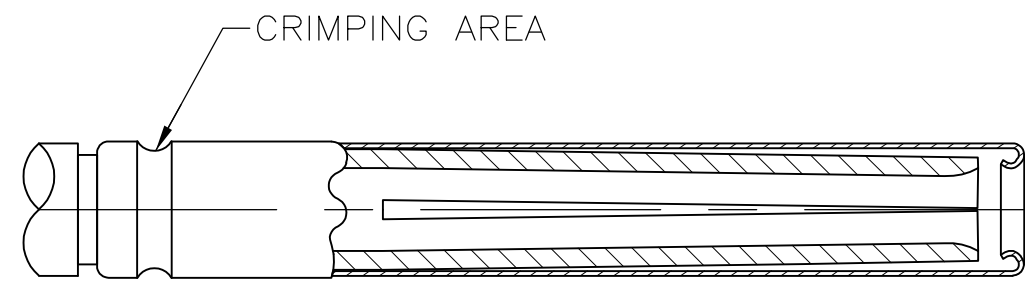
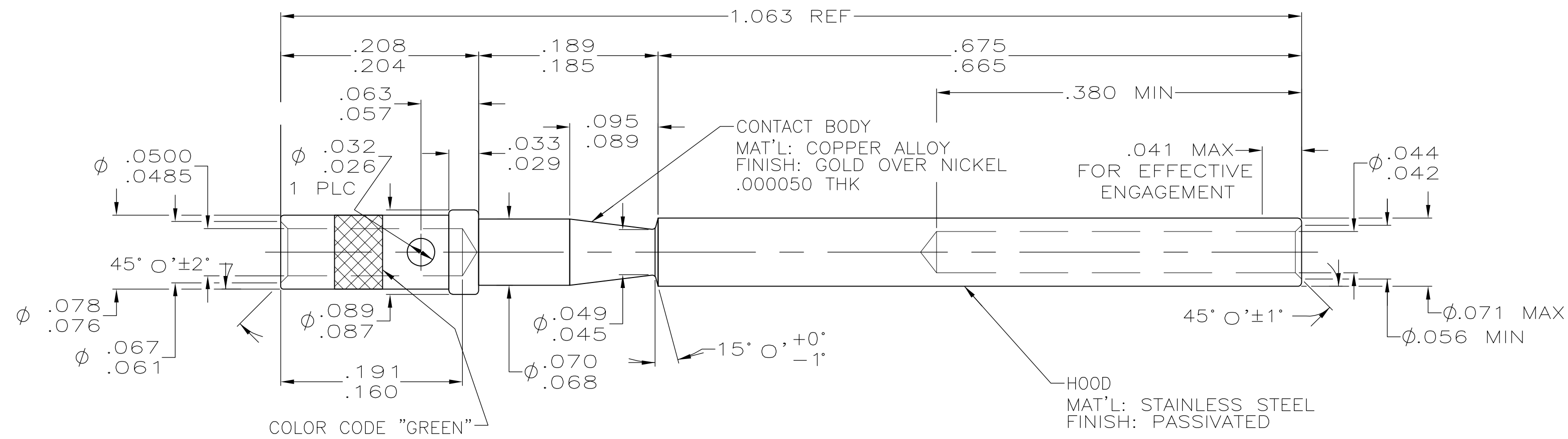


THIS DRAWING IS UNPUBLISHED. RELEASED FOR PUBLICATION
 © COPYRIGHT - By - ALL RIGHTS RESERVED.

LOC		DIST		REVISIONS			
P	LTR	DESCRIPTION	DATE	DWN	APVD		
DF	A0						
	N	REV PER ECO-11-021550	09NOV11	PY	DE		



ALTERNATE HOOD VIEW



1. WIRE RANGE: 20-24
2. DIMENSIONS APPLY AFTER PLATING.
3. CRIMPING OF HOOD ALLOWABLE AS AN ALTERNATE FORM OF RETENTION.

TAPE MOUNTED	203841-2
LOOSE PIECE	203841-1
REMARKS	PART NUMBER

THIS DRAWING IS A CONTROLLED DOCUMENT.		DWN	C.C.THOMAS	3-12-02		TE Connectivity				
DIMENSIONS: INCHES		CHK	J.MARKEY	3-12-02		NAME				
TOLERANCES UNLESS OTHERWISE SPECIFIED:		APVD	J.MARKEY	3-12-02		SOCKET CONTACT, #20 SUB SIZE CRIMP TYPE XV				
0 PLC ± - 1 PLC ± - 2 PLC ± - 3 PLC ± .005 4 PLC ± - ANGLES ± -		PRODUCT SPEC	APPLICATION SPEC			SIZE	CAGE CODE	DRAWING NO	RESTRICTED TO	
MATERIAL SEE CALLOUT		FINISH	SEE CALLOUT		WEIGHT	A2 00779 C-203841		SCALE	SHEET	REV
CUSTOMER DRAWING					10:1	1	1	1	N	

单击下面可查看定价，库存，交付和生命周期等信息

[>>TE Connectivity\(泰科\)](#)