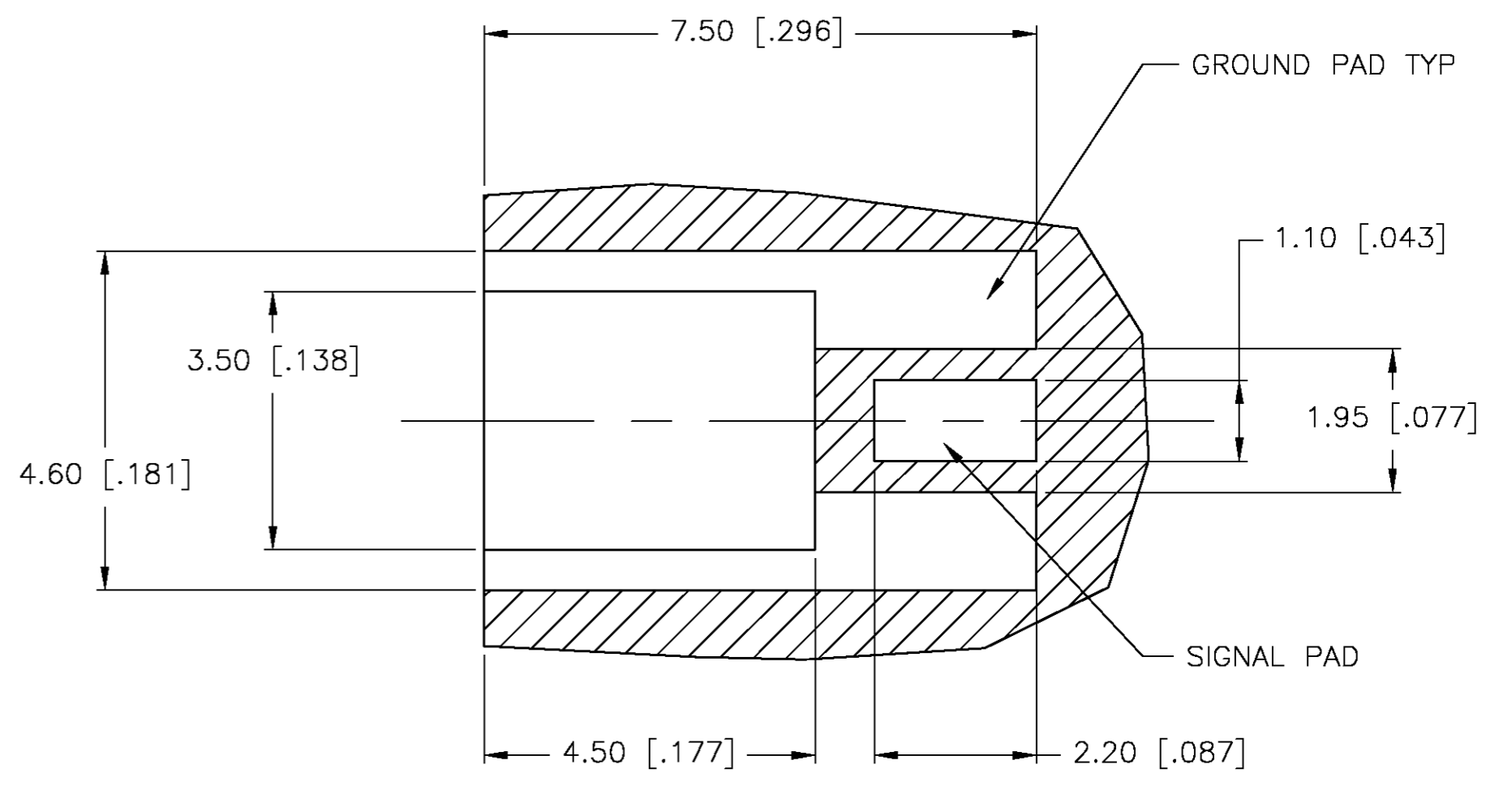
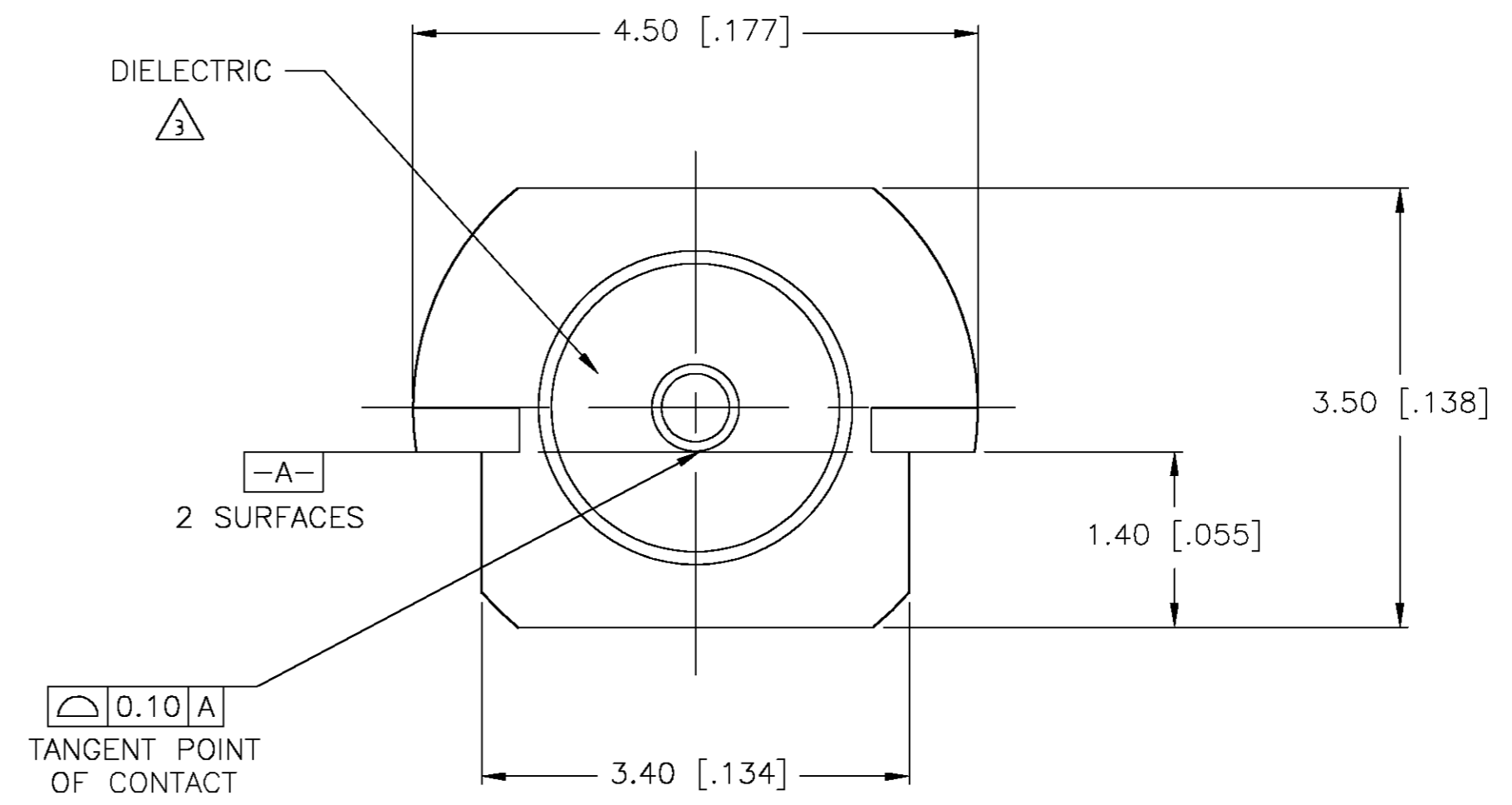
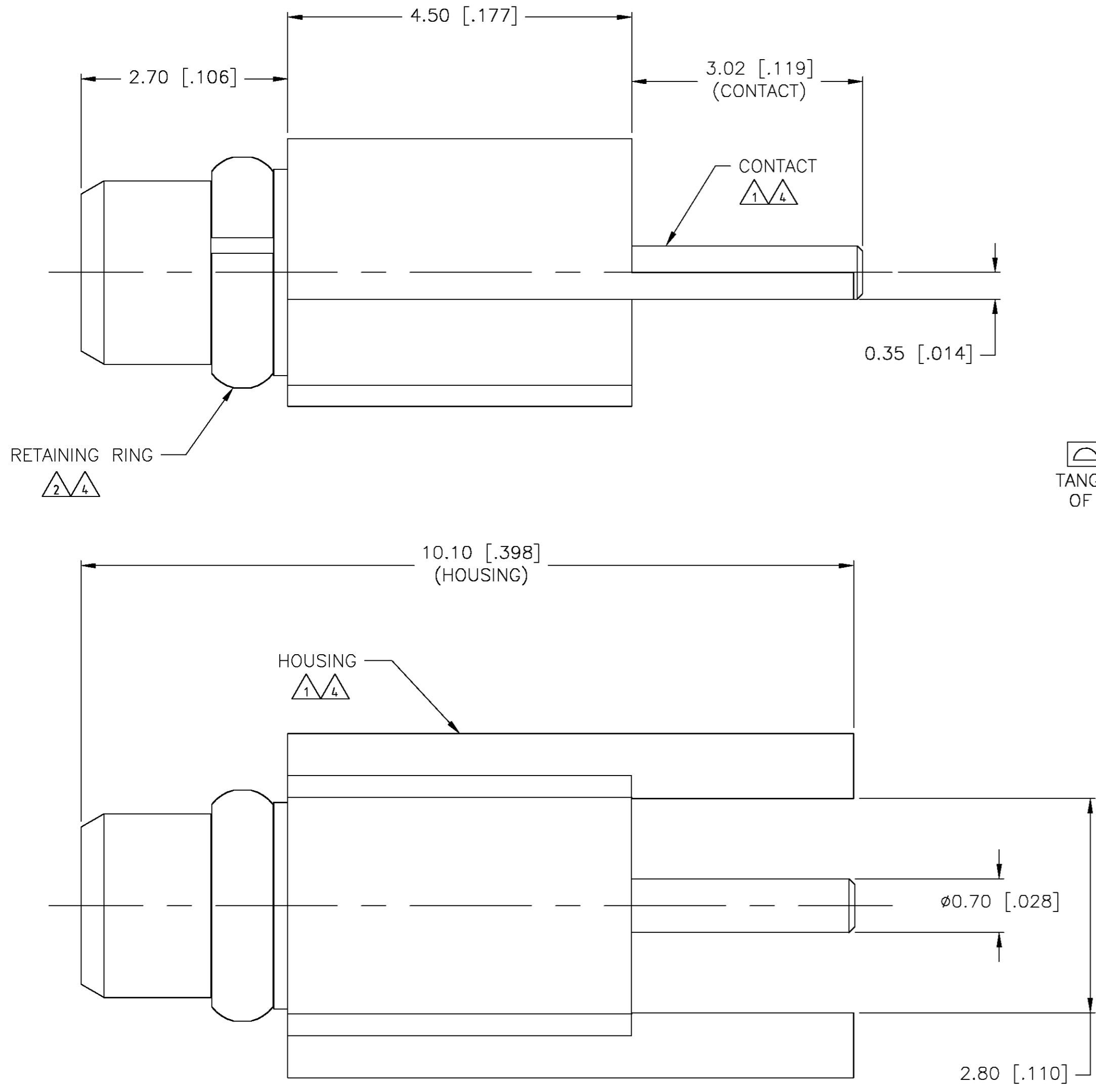


THIS DRAWING IS UNPUBLISHED. RELEASED FOR PUBLICATION
 © COPYRIGHT BY TYCO ELECTRONICS CORPORATION. ALL RIGHTS RESERVED.

REVISIONS				DATE	DWN	APVD
P	LTR	DESCRIPTION				
B		REV PER 0514-0018-03	27JAN03	KW	KW	



- △ 1 BRASS PER ASTM-B-16
- △ 2 BERYLLIUM COPPER PER ASTM-B-196
- △ 3 PTFE PER ASTM-D-1710
- △ 4 GOLD PLATE PER MIL-G-45204

1408120-1
 PART NUMBER

THIS DRAWING IS A CONTROLLED DOCUMENT.		DWN	17DEC2001	Tyco Electronics Corporation Middletown, PA 17057	
DIMENSIONS: MM [INCHES]		CHK	02NOV00	NAME	
TOLERANCES UNLESS OTHERWISE SPECIFIED:		APVD	02NOV00	PRODUCT SPEC	
0 PLC ± -		APVD	02NOV00	108-2084	
1 PLC ± 0.26 [.010]		APPLICATION SPEC			
2 PLC ± 0.13 [.005]		SIZE			
3 PLC ± -		CAGE CODE			
4 PLC ± -		DRAWING NO			
ANGLES ± 1		RESTRICTED TO			
FINISH		WEIGHT			
-		0.20G/.007 OZ			
		CUSTOMER DRAWING			
		SCALE			
		20:1			
		SHEET			
		1 OF 1			
		REV			
		B			

单击下面可查看定价，库存，交付和生命周期等信息

[>>TE Connectivity\(泰科\)](#)