

THIS DRAWING IS UNPUBLISHED.

RELEASED FOR PUBLICATION - ,2016.

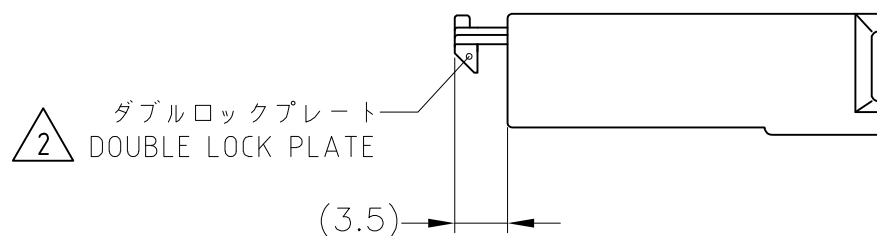
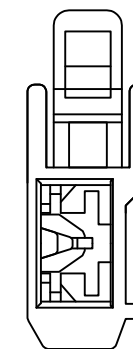
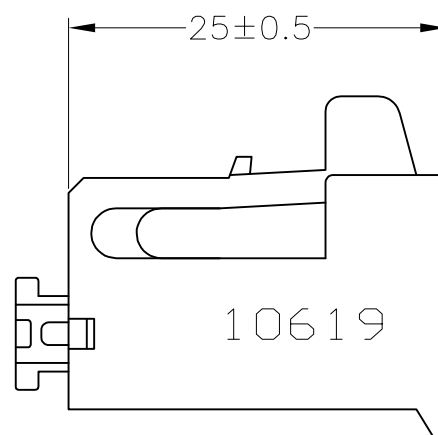
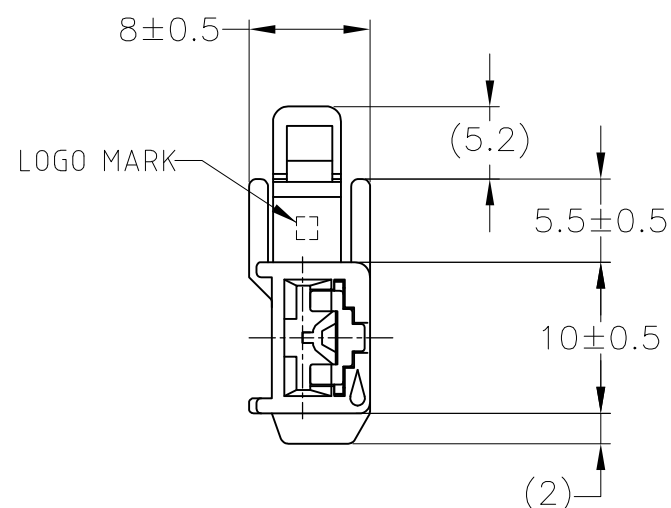
© COPYRIGHT 2016 By Tyco Electronics Japan G.K.

ALL RIGHTS RESERVED.

REVISIONS

変更

P	LTR	DESCRIPTION	DATE	DWN	APVD
	B	REVISED	19APR16	KF	RK



- 1. APPLIDE CONTACT ; 170032, 170258,170384
- 2. DOUBLE LOCK PLATE
MATERIAL ; PBT
COLOR ; YELLOW

- 1. 使用端子 ; 170032, 170258, 170384
- 2. ダブルロックプレートは黄色のPBT材である。

BLACK	178471-2
GRAY	178471-1
色 COLOR	型番 PART NUMBER

TOLERANCES UNLESS OTHERWISE SPECIFIED:
一般公差

10 ≥	: ±0.2
30 ≥ >10	: ±0.25
100 ≥ >30	: ±0.3
ANGLE : ±3°	

THIS DRAWING IS A CONTROLLED DOCUMENT.

DIMENSIONS: 単位: 耗 mm	TOLERANCES UNLESS OTHERWISE SPECIFIED: 一般公差
	0 PLC ± -
	1 PLC ± -
	2 PLC ± -
	3 PLC ± -
	4 PLC ± -
	ANGLES ± -
MATERIAL 材料 PBT	FINISH 仕上 -

DWN T.SHINOHARA 11JAN06	STE TE Connectivity		RESTRICTED TO -
CHK K.BETSUI 11JAN06			
APVD K.BETSUI 11JAN06	NAME 名称 250 SERIES DOUBLE LOCK CONNECTOR 1POSITION PLUG HOUSING (HORN TYPE)		
PRODUCT SPEC 製品規格 108-5370	SIZE	CAGE CODE	DRAWING NO 番号 A3 00779 C-178471
APPLICATION SPEC 取付適用規格 -	WEIGHT 1.7 g	SCALE 尺度 2:1	SHEET 1 OF 1
CUSTOMER DRAWING		REV B	

单击下面可查看定价，库存，交付和生命周期等信息

[>>TE Connectivity\(泰科\)](#)