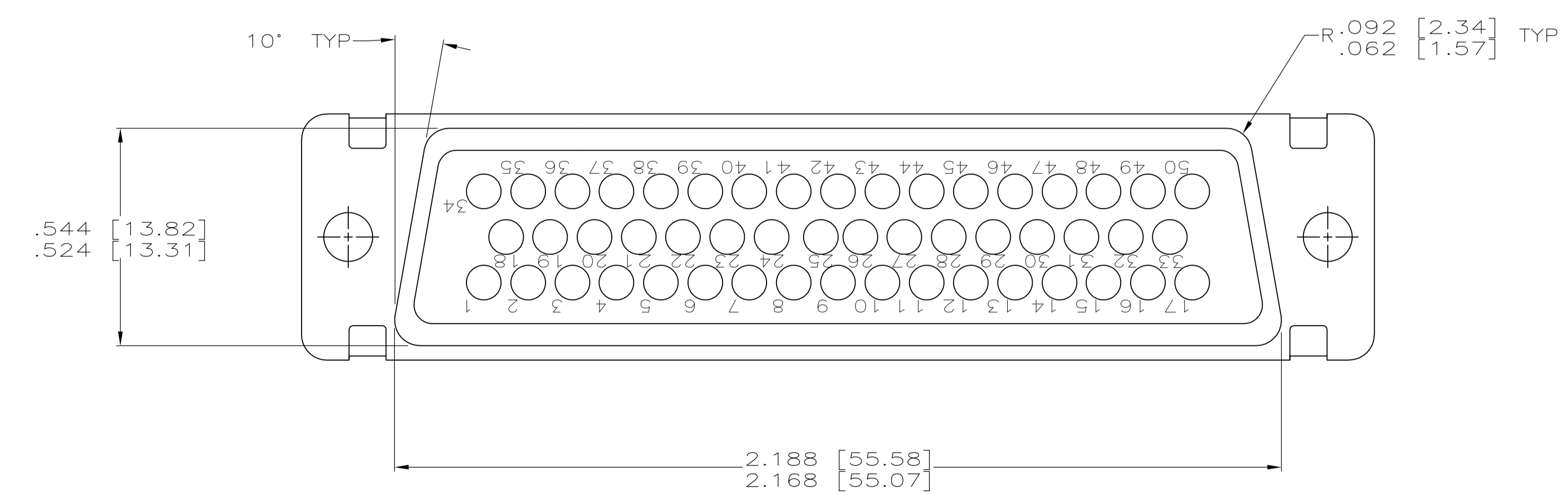
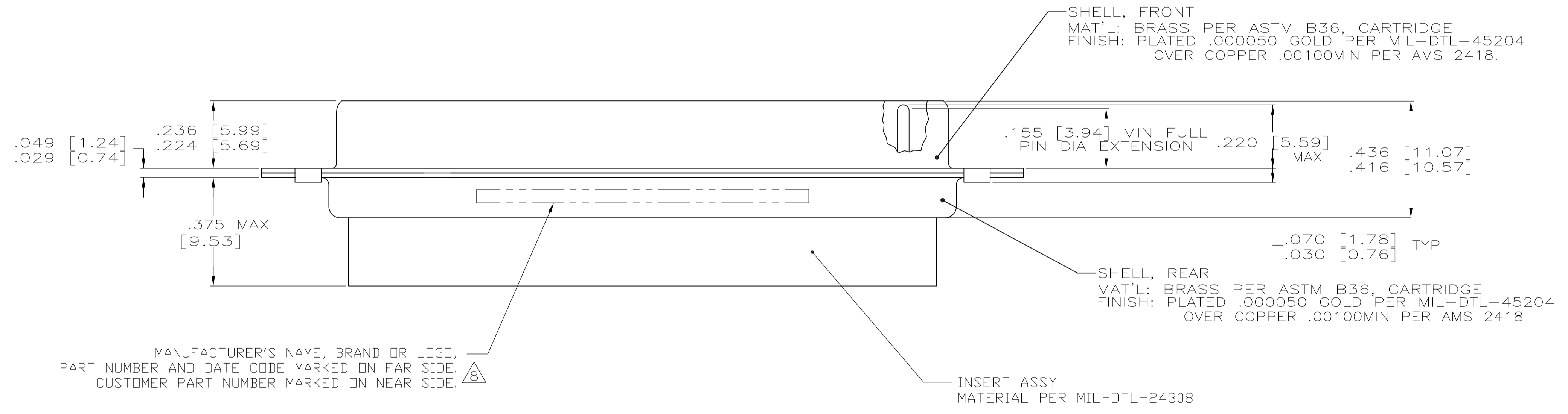


1. THIS PLUG WILL MATE WITH ANY RECEPTACLE CONNECTOR WITH THE SAME INSERT ARRANGEMENT AS DEFINED BY MS18277-1.
 2. MAXIMUM WIRE INSULATION USED WITH THIS PLUG IS .072 [1.83] DIA.
 3. Be-Cu RETENTION CLIPS ARE INCLUDED IN INSERTS.
 4. UL/CSA DESIGNATION STAMPED IN THIS AREA, OPTIONAL.
 5. RESTRICTED TO CAE ELECTRONIC ONLY.
 6. THESE CONNECTORS ARE QUALIFIED TO GODDARD SPACE FLIGHT CENTER SPECIFICATION S-311-P-4.
 7. CONTACT NOT INCLUDED - SHOWN FOR DIMENSIONAL REFERENCE ONLY.
8. FAR SIDE REFERS TO WIDE SIDE OF KEYSTONE.



5/6	.120 [3.05]	1A01-031PHA	206804-5	206804-5
5/6	.120 [3.05]	311P409-5P-B-12	206804-2	206804-4
	.154 [3.91]	N/A	206804-3	206804-3
6	.120 [3.05]	311P409-5P-B-12	206804-2	206804-2
6	.154 [3.91]	311P409-5P-B-15	206804-1	206804-1
REMARKS	DIA A	CUSTOMER P/N ON CONNECTOR	MFG P/N ON CONNECTOR	MFG P/N

THIS DRAWING IS A CONTROLLED DOCUMENT.

DIMENSIONS: INCHES	TOLERANCES UNLESS OTHERWISE SPECIFIED:	DIN AJ GRAFF 12-23-92	TE Connectivity
0 PLC ± -	1 PLC ± -	CHK B GILLMAN 12-24-92	NAME
2 PLC ± -	3 PLC ± -	APVD	AMPLIMITE NONMAGNETIC PLUG ASSY WITHOUT SIZE 20 CRIMP TYPE PIN CONTACTS, SERIES 109.
4 PLC ± -	ANGLES ± ± -	PRODUCT SPEC MIL-C-24308	SIZE
MATERIAL SEE CALLOUTS	FINISH SEE CALLOUTS	APPLICATION SPEC	SCALE 4:1
		WEIGHT	SHEET 1 OF 1
		CUSTOMER DRAWING	REV

Customer Drawing: A100779C=206804

单击下面可查看定价，库存，交付和生命周期等信息

[>>TE Connectivity\(泰科\)](#)