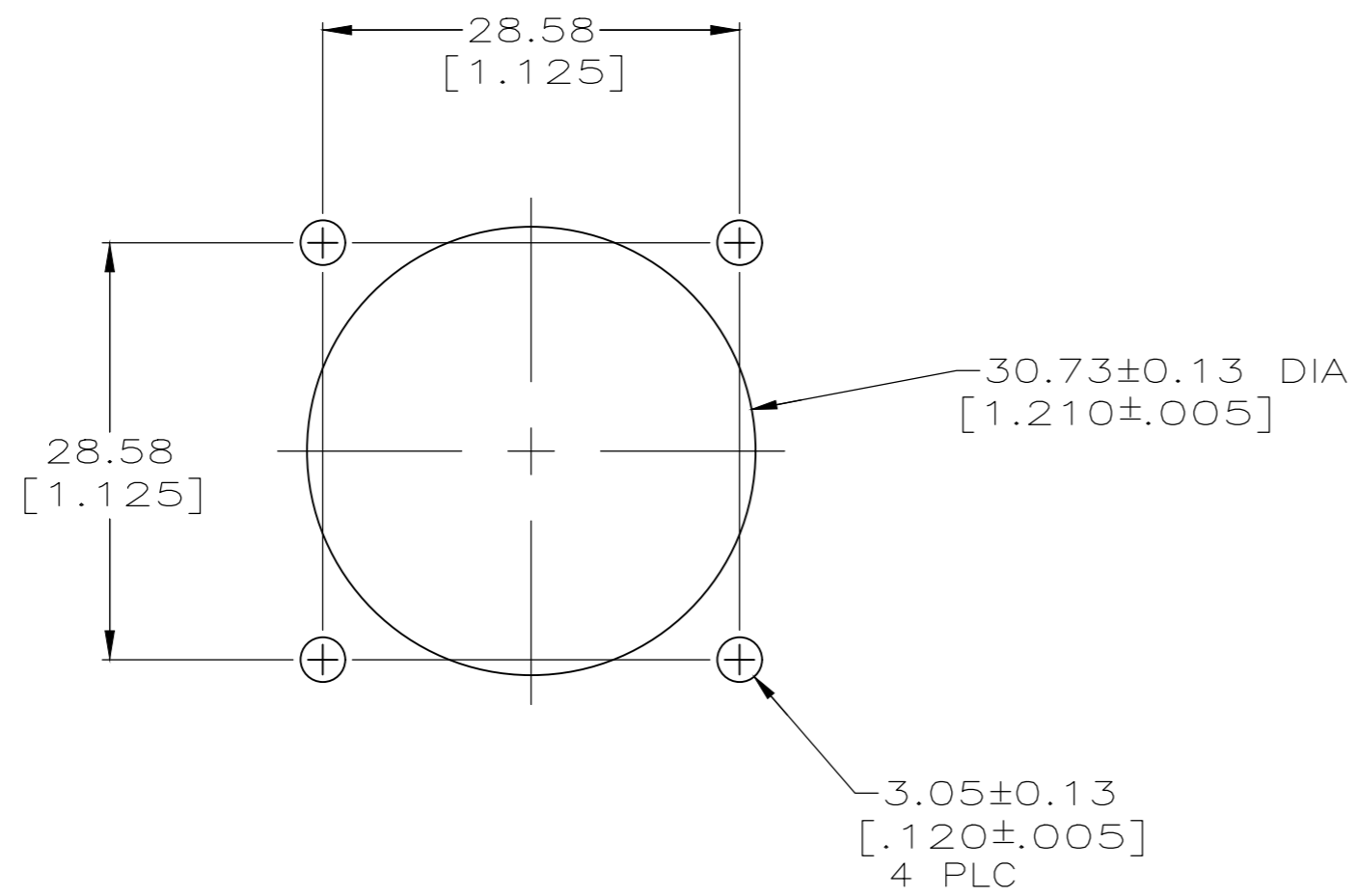
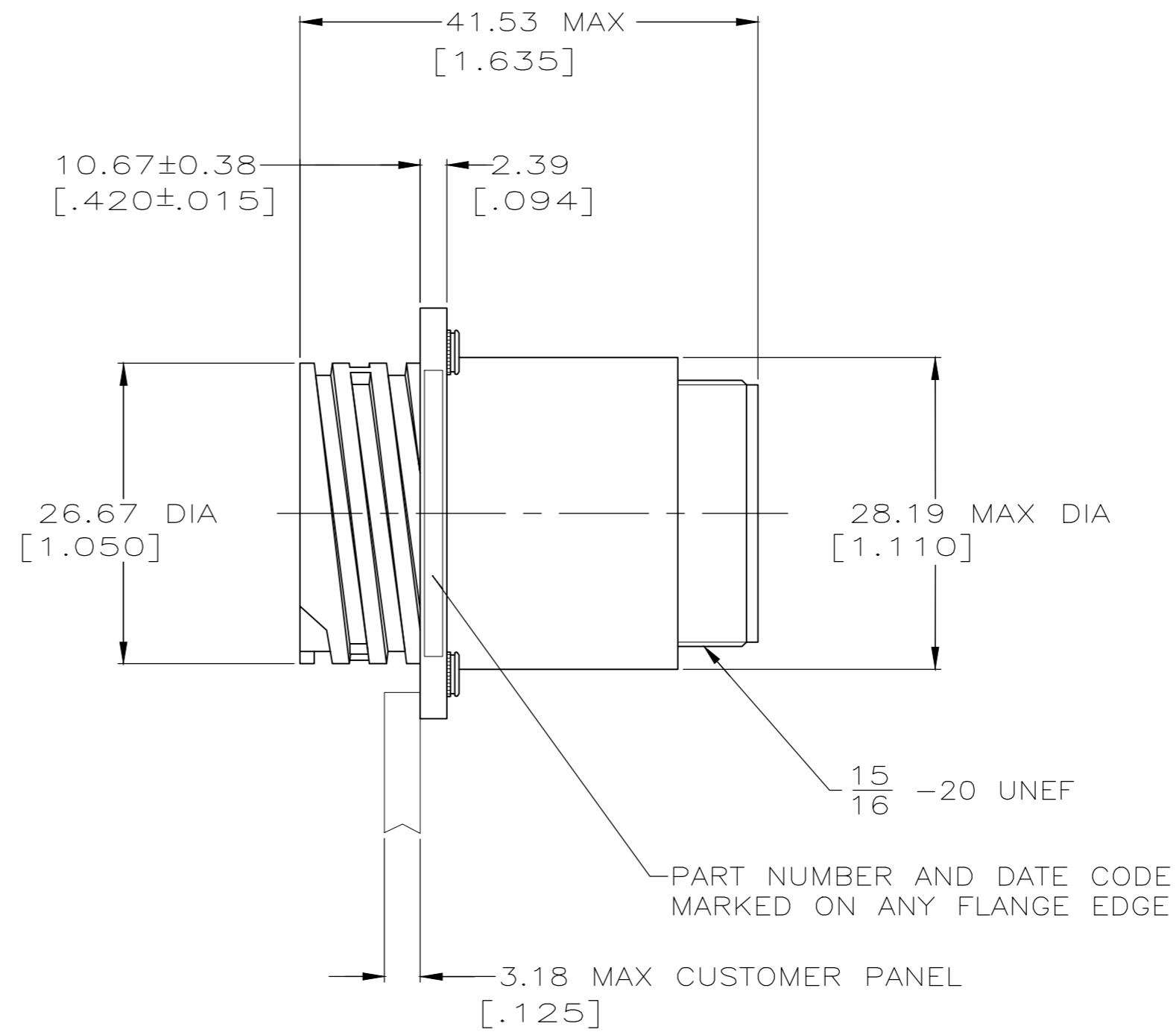
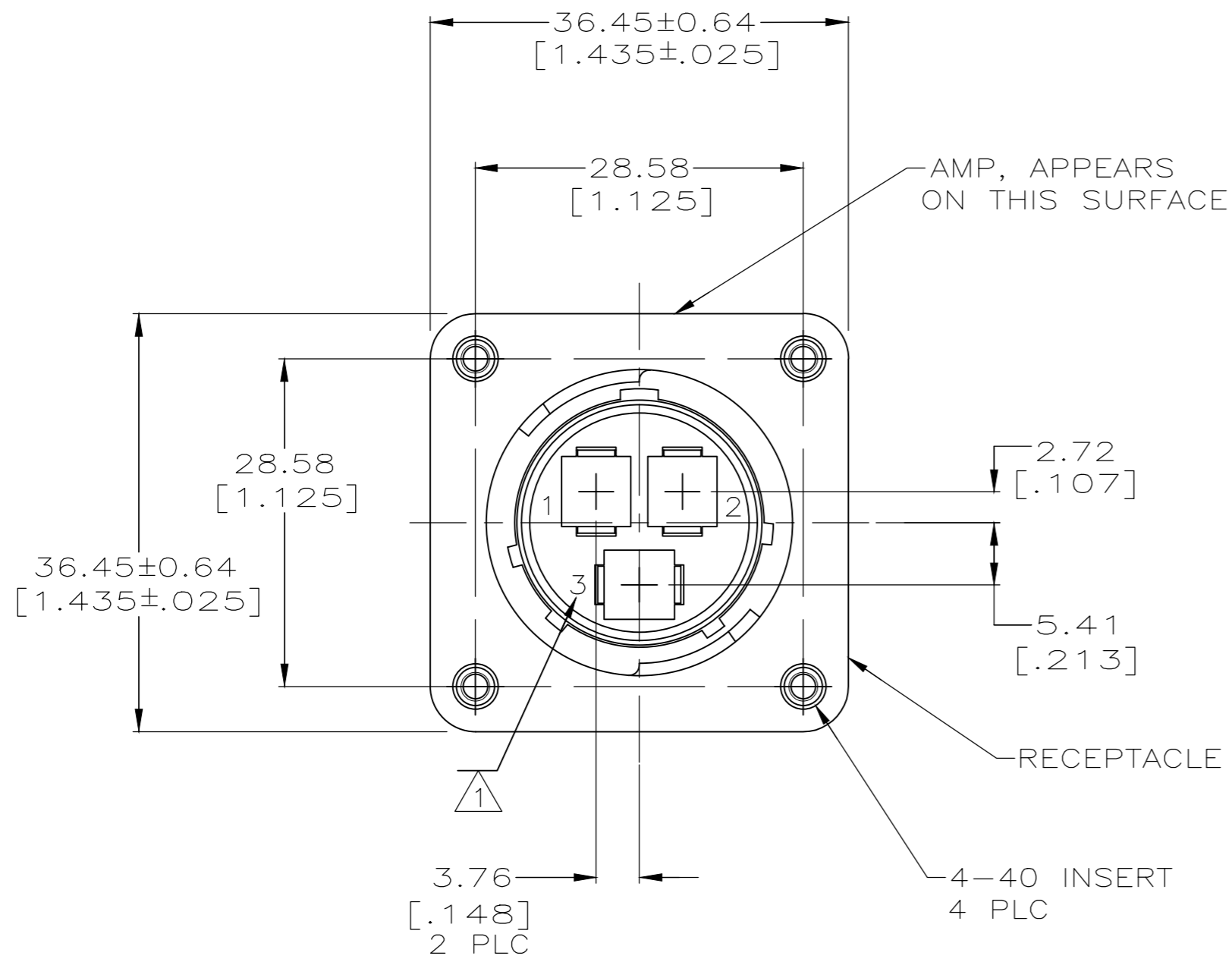


THIS DRAWING IS UNPUBLISHED. RELEASED FOR PUBLICATION
 © COPYRIGHT - TE Connectivity Ltd. ALL RIGHTS RESERVED.

REVISIONS					
P	LTR	DESCRIPTION	DATE	DWN	APVD
A		REVISED PER ECO-18-007224	25MAY2018	KH	MZ



△ CAVITY IDENTIFICATION CHARACTERS ON FRONT AND REAR FACE.
 2 WILL ACCEPT 3 TYPE XII PIN CONTACTS.

RECOMMENDED PANEL CUTOUT

THIS DRAWING IS A CONTROLLED DOCUMENT.		DWN J McCLINTON 3-5-90	213581-1	
DIMENSIONS: mm [INCHES]		CHK -	TE Connectivity Ltd.	
TOLERANCES UNLESS OTHERWISE SPECIFIED:		APVD -	RECEPTACLE ASSEMBLY, 17-3, STANDARD SEX, WITH 4-40 INSERT, CPC	
0 PLC ± -	1 PLC ± -	PRODUCT SPEC -	SIZE A2	CAGE CODE 00779
2 PLC ± 0.25[.010]	3 PLC ± -	APPLICATION SPEC -	DRAWING NO C=213581	RESTRICTED TO -
4 PLC ± -	ANGLES ± -	WEIGHT 0	SCALE 2:1	SHEET 1 OF 1
MATERIAL INSERT: BRASS RECEPTACLE: NYLON, BLACK	FINISH -	CUSTOMER DRAWING	REV A	

单击下面可查看定价，库存，交付和生命周期等信息

[>>TE Connectivity\(泰科\)](#)