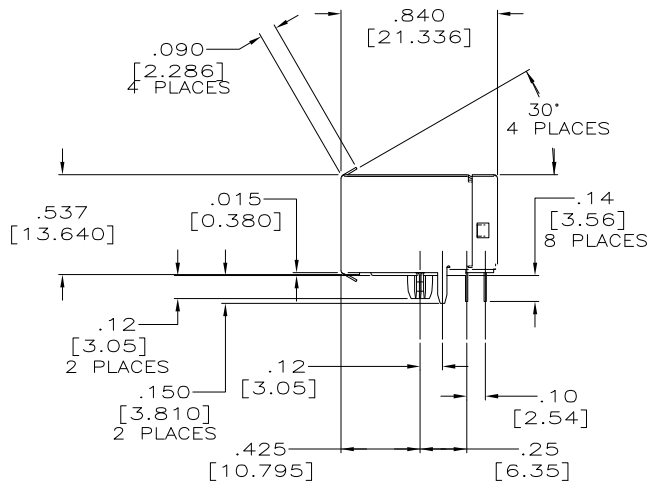
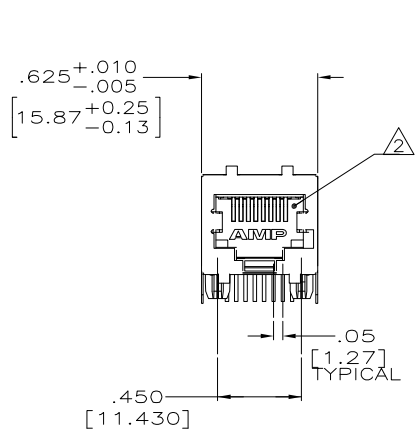
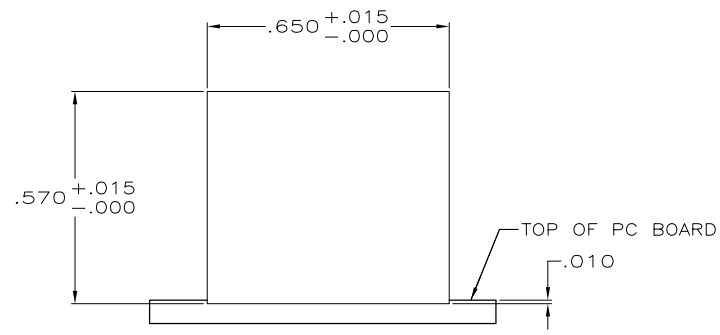
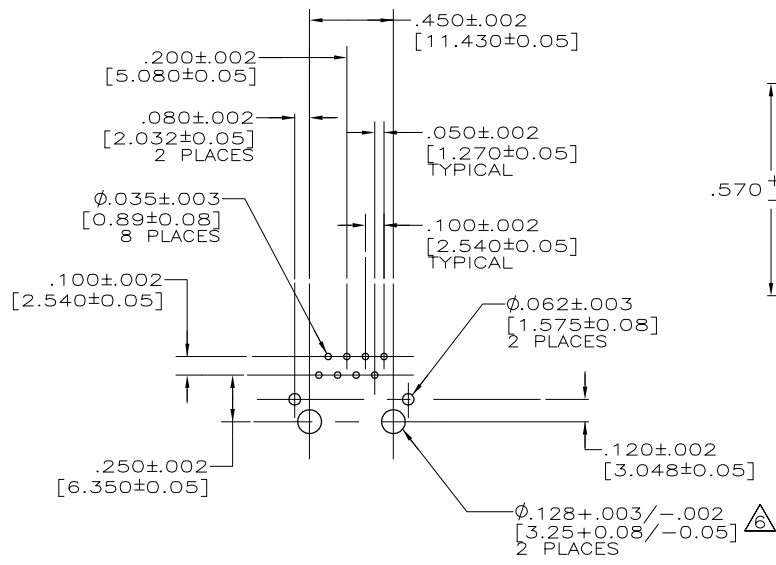


THIS DRAWING IS UNPUBLISHED. RELEASED FOR PUBLICATION
 © COPYRIGHT BY TYCO ELECTRONICS CORPORATION. ALL RIGHTS RESERVED.

LOC	DIST	REVISIONS					
AA	22	P	LTR	DESCRIPTION	DATE	DWN	APVD
		B1		REV PER ECR-09-004284	16APR2009	TY	SY



- MATERIAL: HOUSING-PCT POLYESTER, BLACK, IR REFLOW COMPATIBLE, UL 94V-0. TERMINALS-.013[0.33] THICK PHOS BRONZE PLATED WITH .000050[1.27μm] MINIMUM THICK HARD GOLD IN LOCALIZED AREA AND .000150 [3.81μm] MINIMUM THICK MATTE TIN IN SOLDER AREA OVER .000050[1.27μm] MINIMUM THICK NICKEL UNDERPLATE. SHIELDS-.010[0.254] THICK COPPER ALLOY PLATED WITH .000050[1.27μm] MINIMUM NICKEL AND .000080 [2.03 μm] MINIMUM HOT TIN DIP ON PCB GROUND TABS.
- JACK CAVITY CONFORMS TO FCC RULES AND REGULATIONS, PART 68 SUBPART F.
- ALL DIMENSIONS SHOWN ARE NOMINAL UNLESS OTHERWISE SPECIFIED.
- ALL DIMENSIONS SHOWN IN BRACKETS [] ARE IN MILLIMETERS.
- SHORT IS REMOVED BY INSERTION OF MODULAR PLUG.
- USE #30 DRILL BIT OR 3.25mm DRILL BIT WHEN PRODUCING THESE PCB HOLES.



SUGGESTED PANEL CUTOUT
SCALE 4:1



SHORTING FEATURE

SUGGESTED PC BOARD LAYOUT
COMPONENT SIDE

5557791-1
PART NUMBER

THIS DRAWING IS A CONTROLLED DOCUMENT.		DWN V. SLACK/L.A. MAYER 25MAY2005	Tyco Electronics Corporation Harrisburg, Pa 17105-3608	
DIMENSIONS: INCHES		CHK J. WESTMAN 25MAY2005	APVD S. FLICKINGER 25MAY2005	
TOLERANCES UNLESS OTHERWISE SPECIFIED:		NAME		RESTRICTED TO
0 PLC ± -	1 PLC ± -	PRODUCT SPEC		
2 PLC ± .01[0.254]	3 PLC ± .005[0.127]	108-1163		
4 PLC ± -	ANGLES ± -	APPLICATION SPEC		
MATERIAL		SIZE	CAGE CODE	DRAWING NO
SEE NOTE 1		WEIGHT	A2	00779
SEE NOTE 1		C=5557791		
CUSTOMER DRAWING		SCALE	SHEET	REV
		2:1	1 OF 1	B1

单击下面可查看定价，库存，交付和生命周期等信息

[>>TE Connectivity\(泰科\)](#)