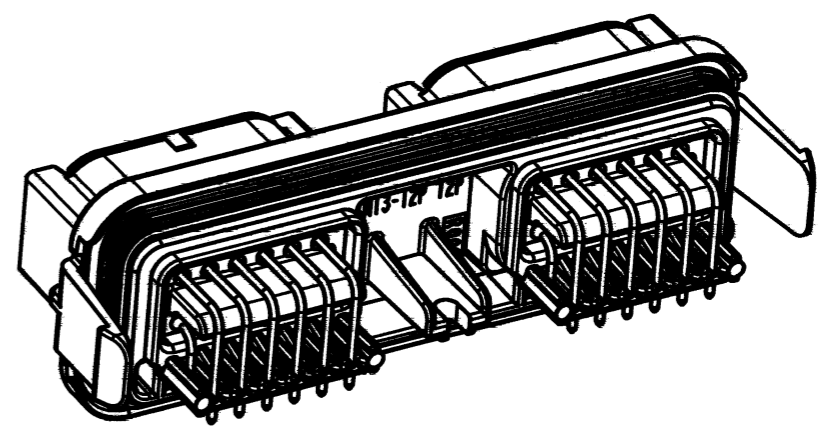
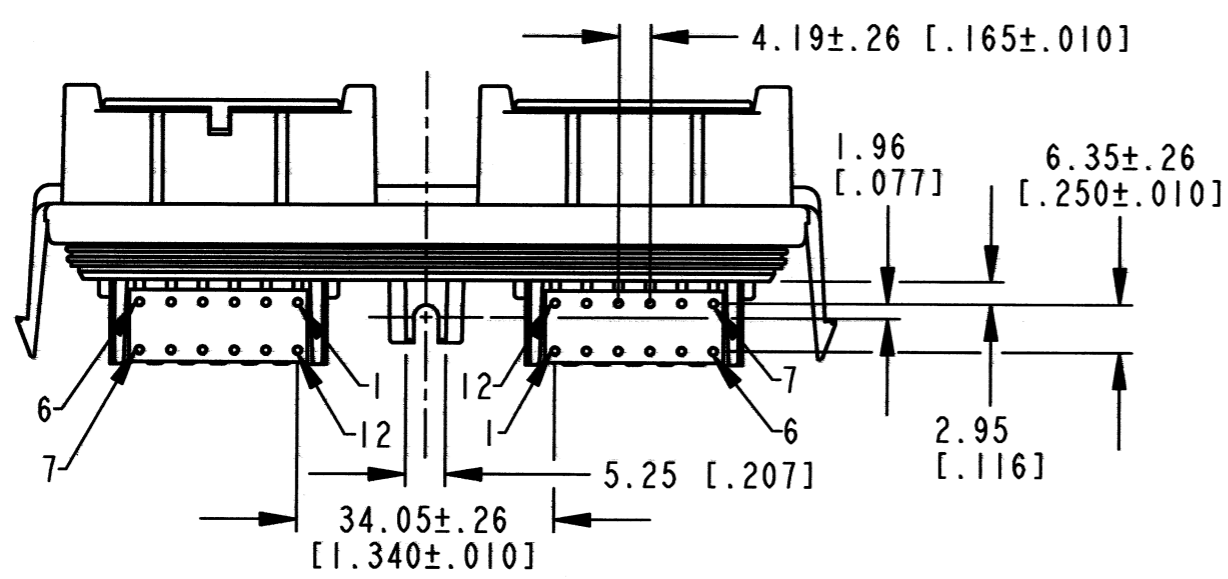
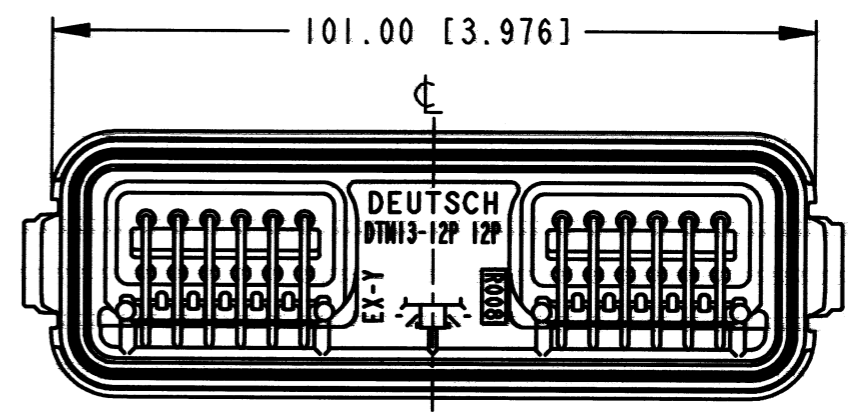
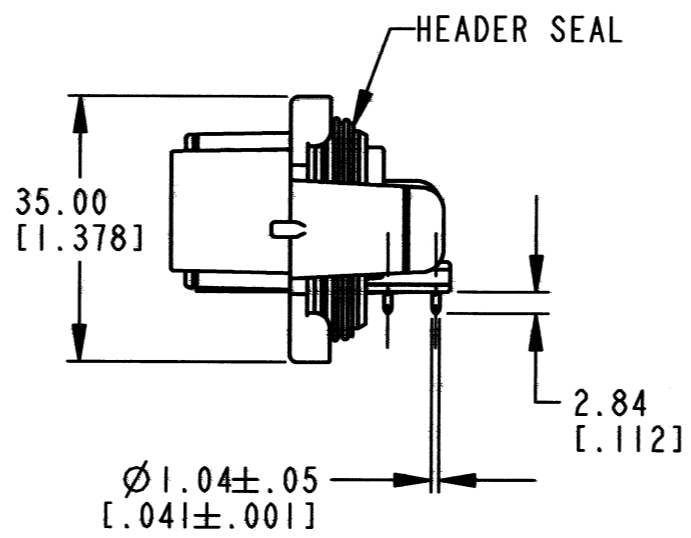
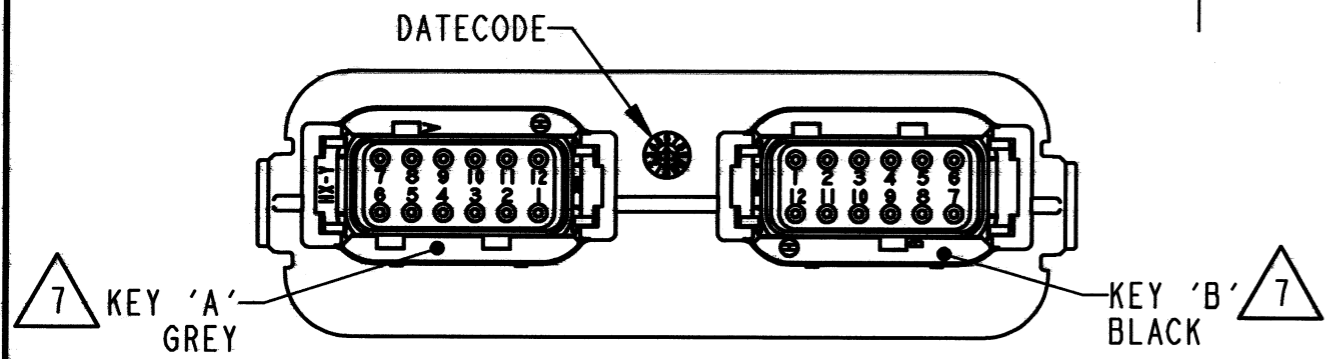


REV E DTM13-12P*12P*-R008

| REVISIONS | | | |
|-----------|-------------------------|---------|----------|
| SYM | DESCRIPTION | DATE | APPROVED |
| B | REVISED PER E.O. P18708 | 7-29-05 | R.D.R. |
| C | REVISED PER E.O. P19210 | 4-4-06 | R.D.R. |
| D | REVISED PER E.O. P19335 | 8/3/06 | RDR |
| E | REVISED PER E.O. P20972 | 11-7-11 | RDR |



7 SEE SHEETS 2 AND 3 FOR OTHER KEY ARRANGEMENTS.

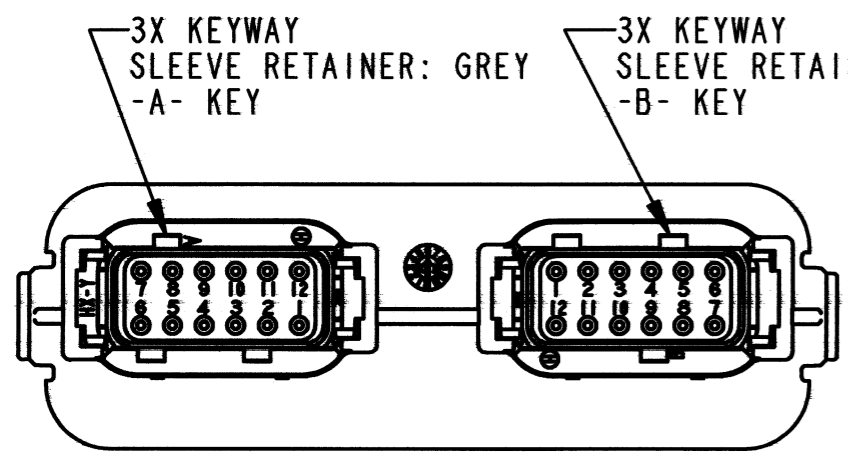
6. THIS RECEPTACLE IS USED WITH EEC-325X4(A OR B) ENCLOSURE. SEE ENVELOPE DRAWING EEC-325X4A/EEC-325X4B FOR ENCLOSURE INFORMATION.

- 5. THIS RECEPTACLE MATES WITH DTM06-12S*-**** PLUG, 2 REQD. (* = A,B,C,D KEYS; **** = ALL MODIFICATIONS).
 - 4. MATERIAL - PLASTIC (BLACK); SEALS: RUBBER.
 - 3. CONTACT PLATING - MATING SIDE: NICKEL; PCB SIDE: TIN.
 - 2. DIMENSION TOLERANCE: ±.64 [0.025].
 - 1. DIMENSIONS ARE IN MILLIMETERS [IN].
- NOTES: UNLESS OTHERWISE SPECIFIED

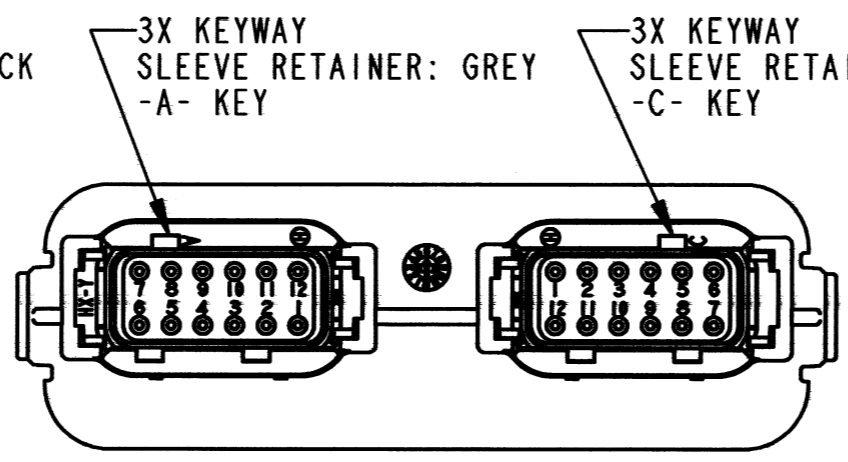
| | | | | |
|------------------|-------------------------------|---|---|------------|
| SIGNATURE & DATE | | RECEPTACLE 2 x 12 #20 SIZE CONTACTS -R008 DTM SERIES ENVELOPE | EP 053 | MATL. CODE |
| DR | D. MEYER 08/07/03 | | 3850 INDUSTRIAL AVE. HEMET, CA 92545 | |
| CHK | <i>[Signature]</i> 11/07/2011 | | DEUTSCH INDUSTRIAL | |
| PE | <i>[Signature]</i> 1/26/11 | | B DTM13-12P*12P*-R008 | |
| APPD | <i>[Signature]</i> | | DWG SIZE | CODE 11139 |
| SCALE | NONE | WT | | |

REV
E DTM13-12P*12P*-R008

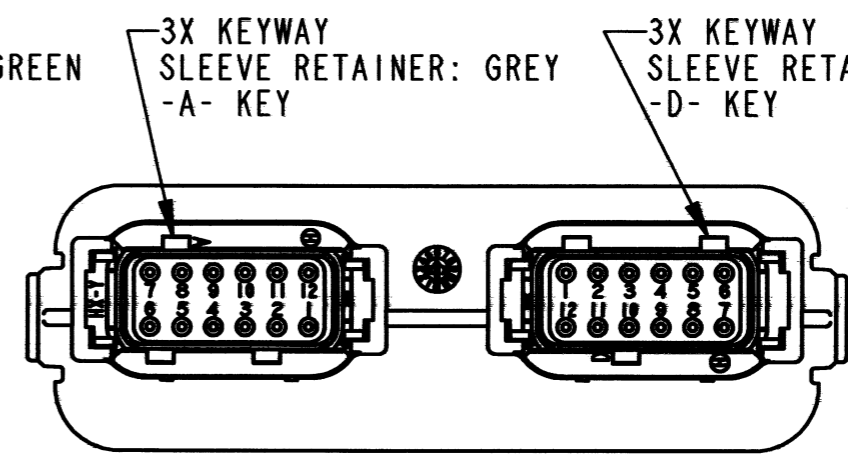
| REVISIONS | | | |
|-----------|-------------|---------|----------|
| SYM | DESCRIPTION | DATE | APPROVED |
| E | SEE SHEET 1 | 11-7-11 | RDR |
| | | | |
| | | | |



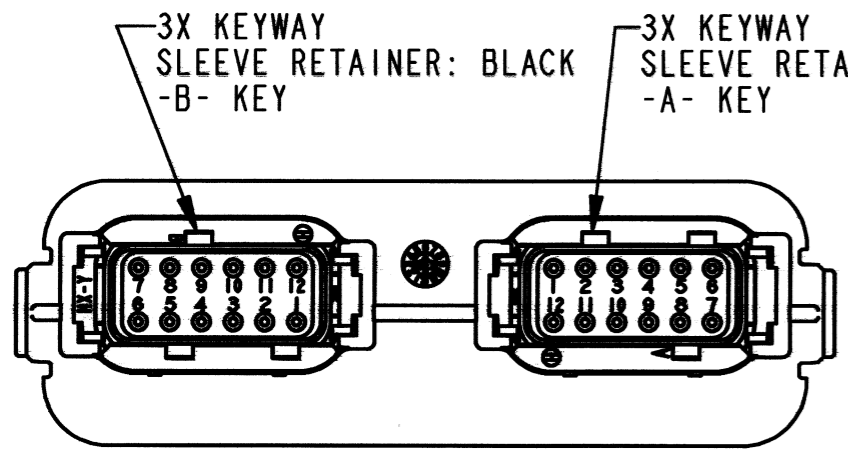
DTM13-12PA-12PB-R008
KEY -AB-



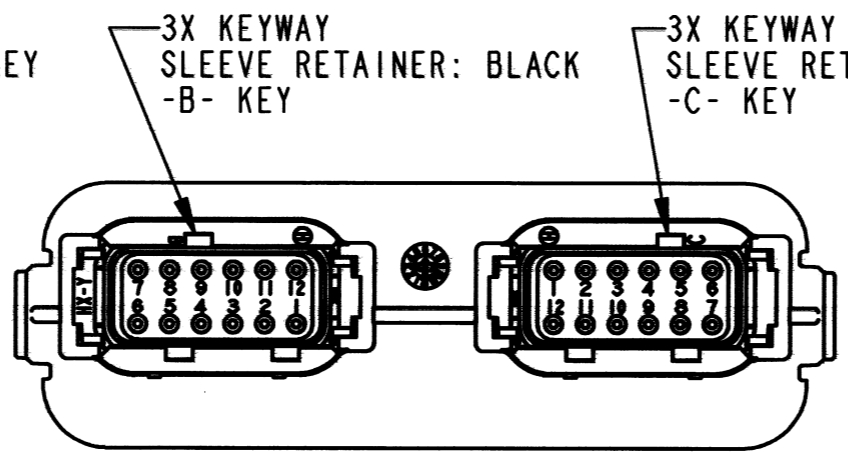
DTM13-12PA-12PC-R008
KEY -AC-



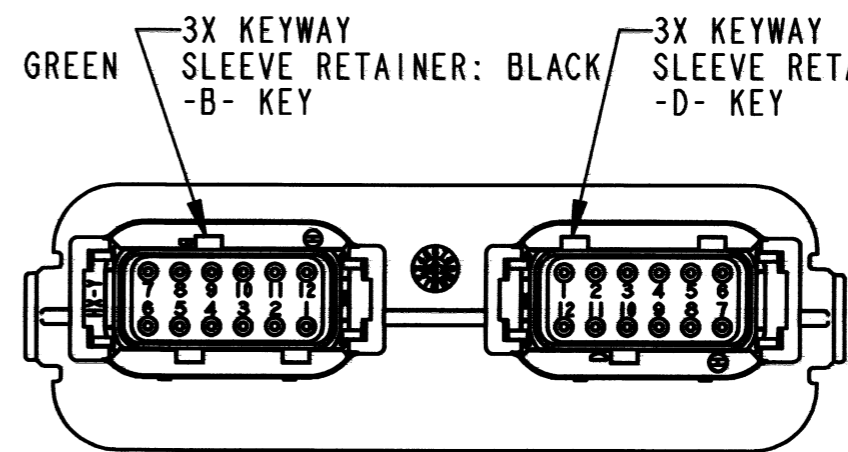
DTM13-12PA-12PD-R008
KEY -AD-



DTM13-12PB-12PA-R008
KEY -BA-



DTM13-12PB-12PC-R008
KEY -BC-




DTM13-12PB-12PD-R008
KEY -BD-

NOTES:

| SIGNATURE & DATE | |
|------------------|-------------------------------|
| DR | D. MEYER 08/07/03 |
| CHK | <i>[Signature]</i> 11/07/2011 |
| PE | <i>[Signature]</i> 1/26/11 |
| APPD | <i>[Signature]</i> |
| SCALE | NONE WT |

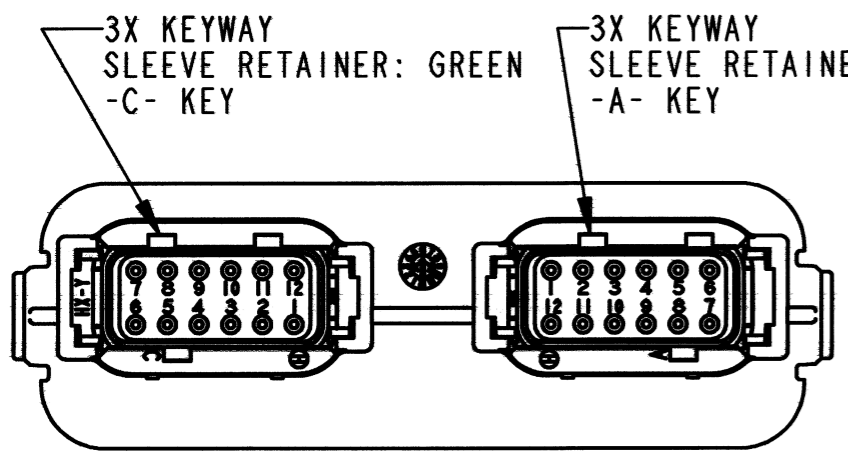
RECEPTACLE
2 x 12 #20 SIZE CONTACTS
-R008
DTM SERIES

ENVELOPE

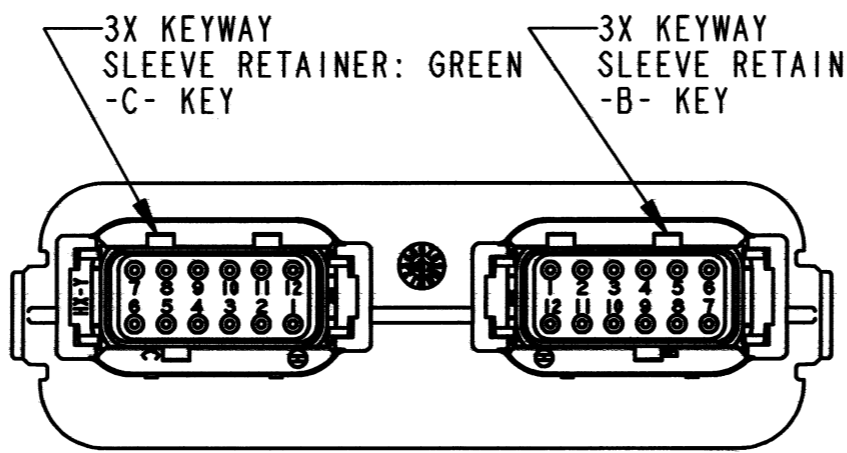
| | |
|---|-------------------------|
| EP 053 | MATL. CODE |
|  3850 INDUSTRIAL AVE. HEMET, CA 92545 DEUTSCH INDUSTRIAL | |
| B DTM13-12P*-12P*-R008 | |
| DWG SIZE | CODE 11139 SHEET 2 OF 3 |

REV E DTM13-12P*12P*R008

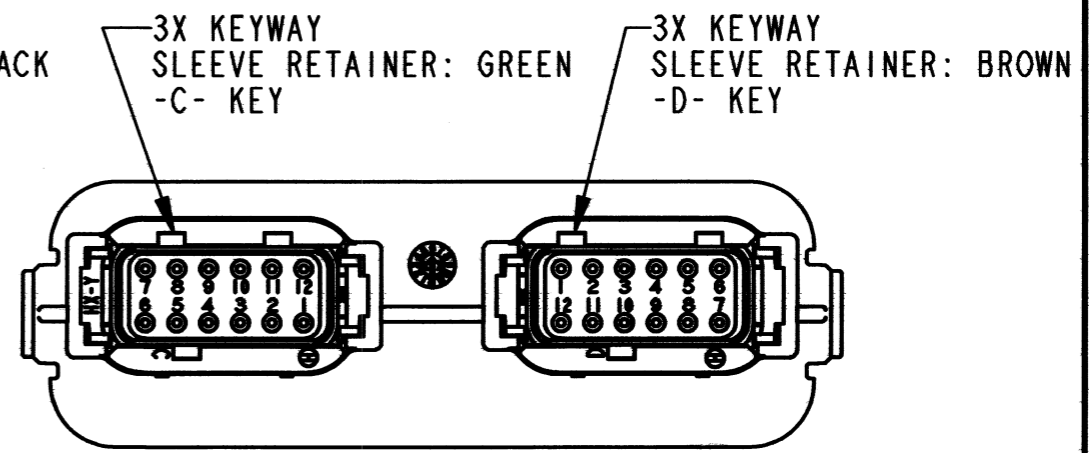
| REVISIONS | | | |
|-----------|-------------|---------|----------|
| SYM | DESCRIPTION | DATE | APPROVED |
| E | SEE SHEET 1 | 11-7-11 | RDR |
| | | | |
| | | | |



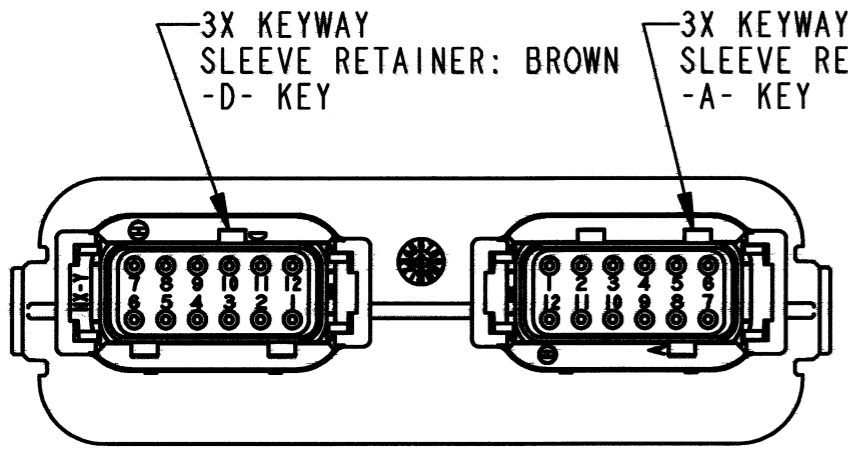
DTM13-12PC-12PA-R008
KEY -CA-



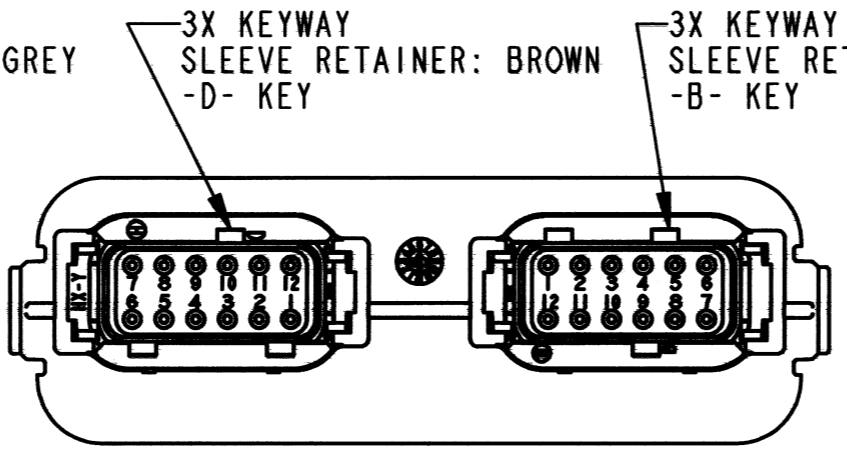
DTM13-12PC-12PB-R008
KEY -CB-



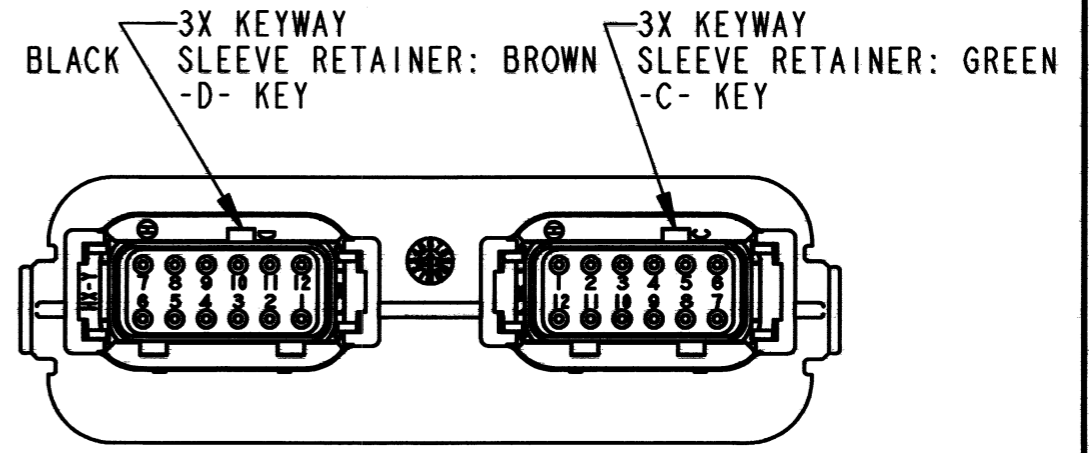
DTM13-12PC-12PD-R008
KEY -CD-



DTM13-12PD-12PA-R008
KEY -DA-



DTM13-12PD-12PB-R008
KEY -DB-



DTM13-12PD-12PC-R008
KEY -DC-

NOTES:

| SIGNATURE & DATE | |
|------------------|-------------------------------|
| DR | D. MEYER 08/07/03 |
| CHK | <i>[Signature]</i> 11/07/2011 |
| PE | <i>[Signature]</i> 9/26/11 |
| APPD | <i>[Signature]</i> 11/7/11 |
| SCALE | NONE WT |

2 x 12 #20 SIZE CONTACTS
-R008
DTM SERIES
ENVELOPE

| | |
|---|-------------------------|
| EP 053 | MATL. CODE |
| 3850 INDUSTRIAL AVE. HEMET, CA 92545 | |
| DTM13-12P*-12P*-R008 | |
| DWG SIZE | CODE 11139 SHEET 3 OF 3 |

单击下面可查看定价，库存，交付和生命周期等信息

[>>TE Connectivity\(泰科\)](#)