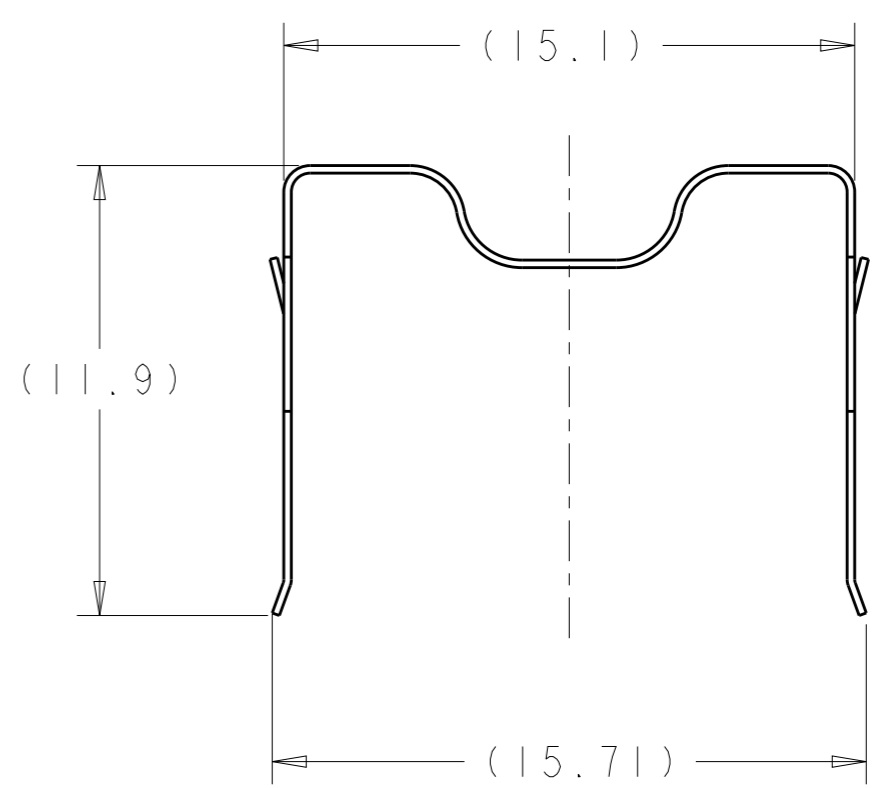
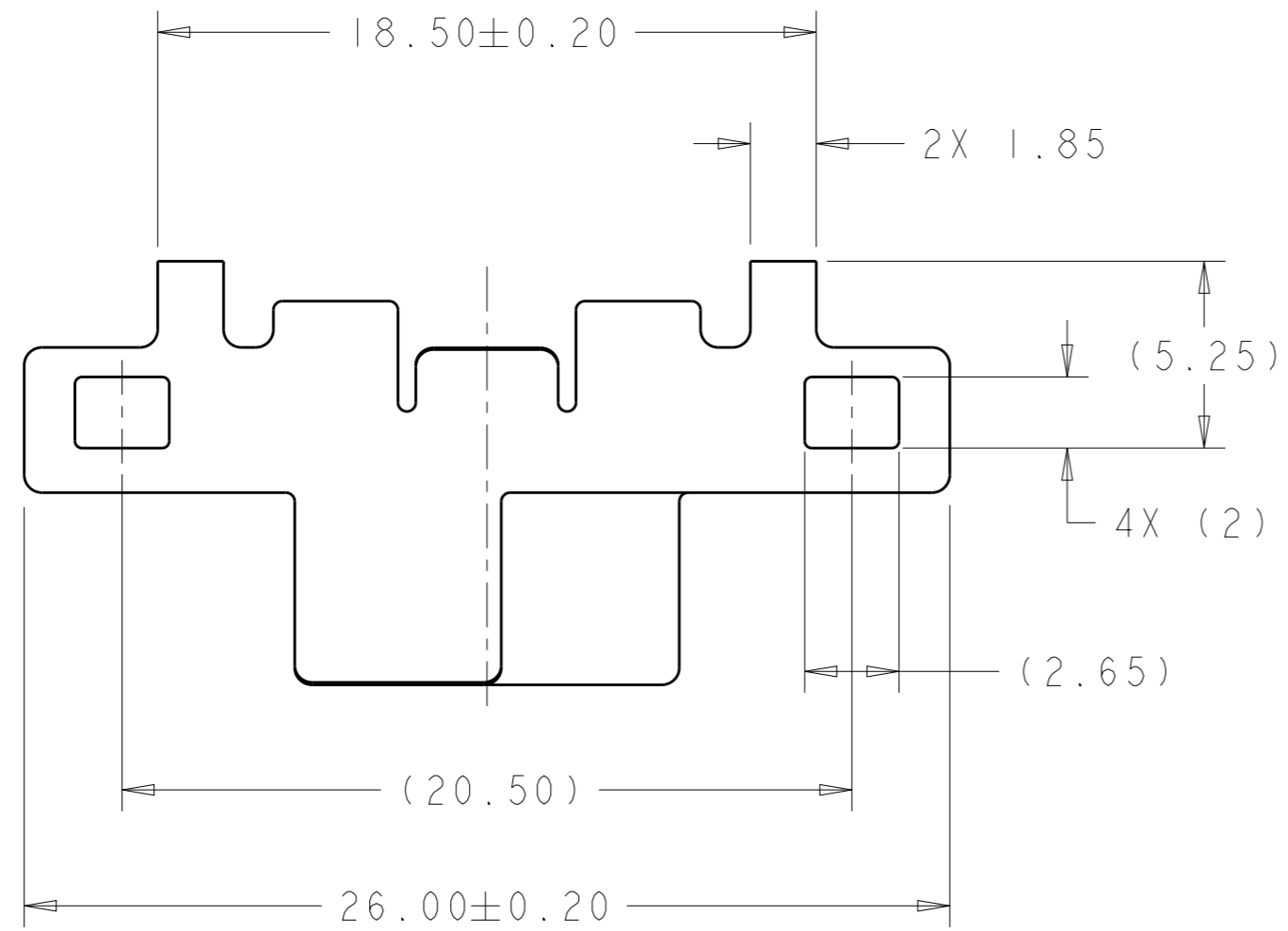



THIS DRAWING IS UNPUBLISHED. RELEASED FOR PUBLICATION 20
 © COPYRIGHT 20 BY - ALL RIGHTS RESERVED.

LOC	DIST	REVISIONS			
P	LTR	DESCRIPTION	DATE	DWN	APVD
GP	00	C	REVISED PER ECO-12-009760	14MAY2012	JJ AC
		C1	REVISED PER ECO-14-000741	16JAN2014	PP SH
		C2	REVISED PER ECO-15-001048	22JAN2015	PP SH
		C3	REVISED PER ECO-19-009461	20JUN2019	IT SH



SUPERSEDED BY:
1367646-4

TRAY	1367646-4
BAG	1367646-1
PACKAGE	PART NUMBER

THIS DRAWING IS A CONTROLLED DOCUMENT.		DWN P. KERLIN 11MAY2006	 TE Connectivity	
DIMENSIONS: mm		CHK E. BRIGHT 11MAY2006		
TOLERANCES UNLESS OTHERWISE SPECIFIED:		APVD E. BRIGHT 11MAY2006	NAME HEAT SINK CLIP, DWDM SFP	
0 PLC ±-		PRODUCT SPEC -	SIZE A3	
1 PLC ±-		APPLICATION SPEC 114-13178	CAGE CODE 00779	DRAWING NO C-1367646
2 PLC ±0.10		WEIGHT -	RESTRICTED TO -	
3 PLC ±-		Customer Drawing	SCALE 5:1	SHEET 1 OF 3
4 PLC ±-				REV C3
ANGLES ±-				
FINISH -				
MATERIAL STAINLESS STEEL				

4

3

2

1

THIS DRAWING IS UNPUBLISHED.

RELEASED FOR PUBLICATION

20

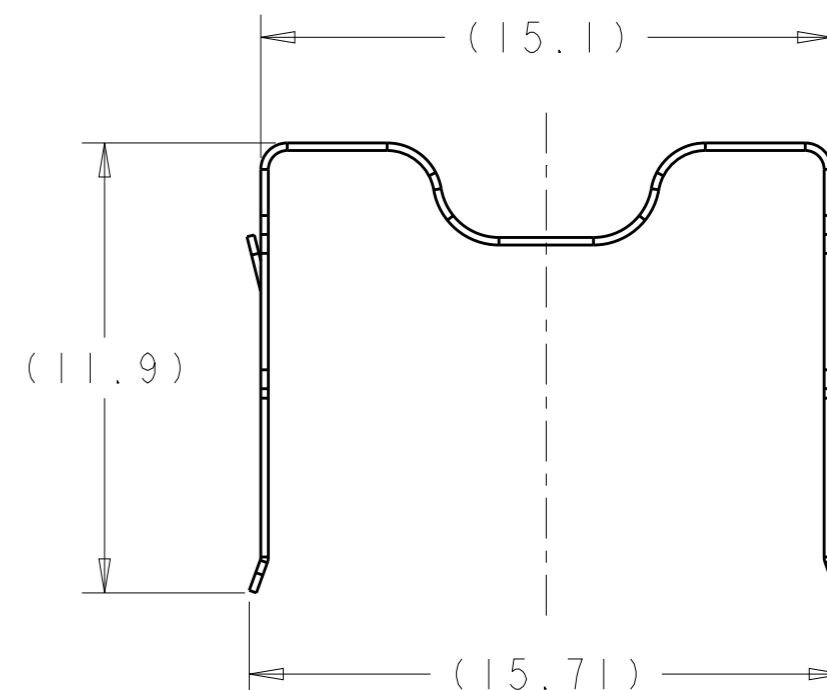
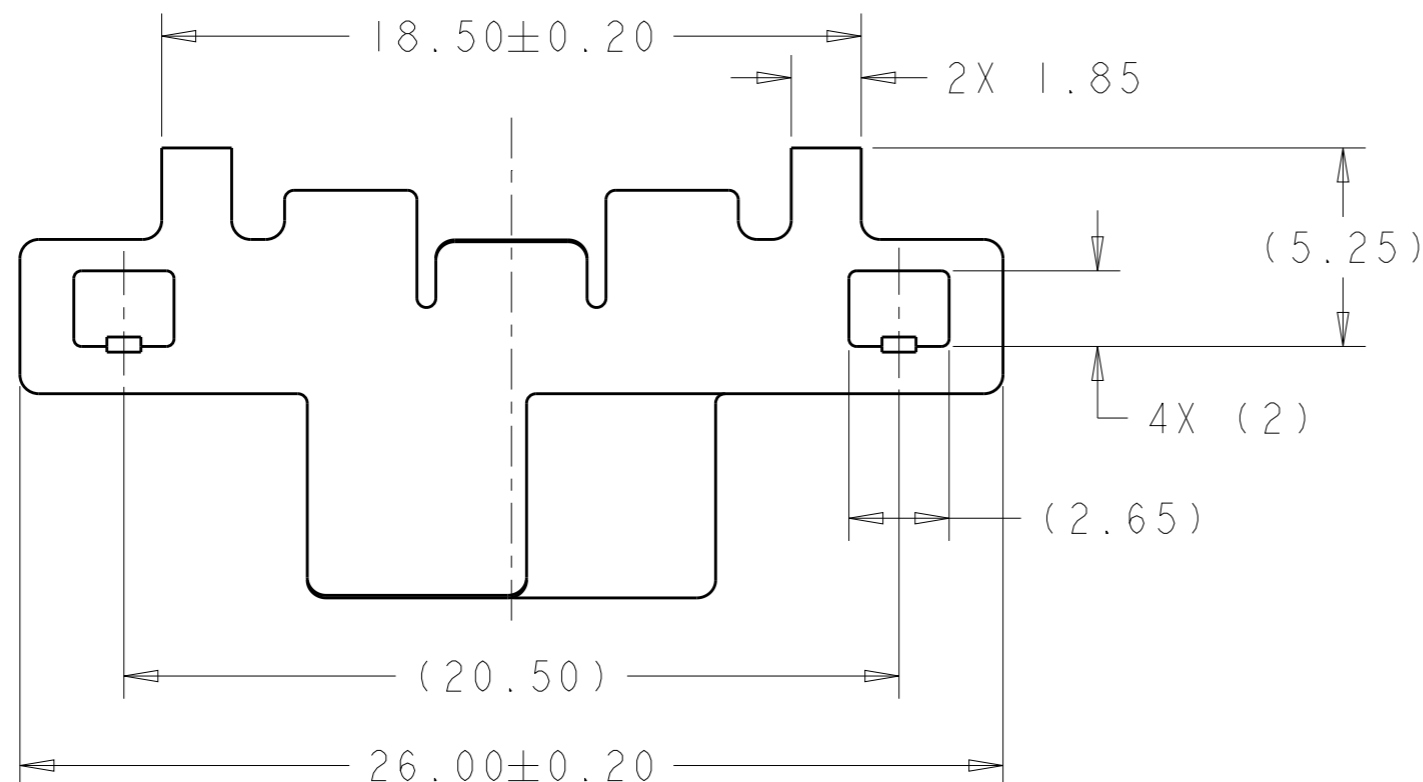
© COPYRIGHT 20 BY -

ALL RIGHTS RESERVED.


LOC GP DIST 00

REVISIONS

P	LTR	DESCRIPTION	DATE	DWN	APVD
		SEE SHEET 1			



TRAY	1367646-8
PACKAGE	PART NUMBER

THIS DRAWING IS A CONTROLLED DOCUMENT.		DWN P. KERLIN 11MAY2006	 TE Connectivity	
DIMENSIONS: mm		CHK E. BRIGHT 11MAY2006		
TOLERANCES UNLESS OTHERWISE SPECIFIED:		APVD F. BRIGHT 11MAY2006	NAME HEAT SINK CLIP, DWDM SFP	
0 PLC ± -		PRODUCT SPEC -	-	
1 PLC ± -		APPLICATION SPEC 114-13178	SIZE A3	CAGE CODE 00779
2 PLC ± 0.10		WEIGHT -	DRAWING NO 1367646	
3 PLC ± -			RESTRICTED TO -	
4 PLC ± -			SCALE 5:1 SHEET 2 OF 3 REV C3	
ANGLES ± -				
MATERIAL -				
FINISH -				
		Customer Drawing		

THIS DRAWING IS UNPUBLISHED.

RELEASED FOR PUBLICATION

20

© COPYRIGHT 20 BY -

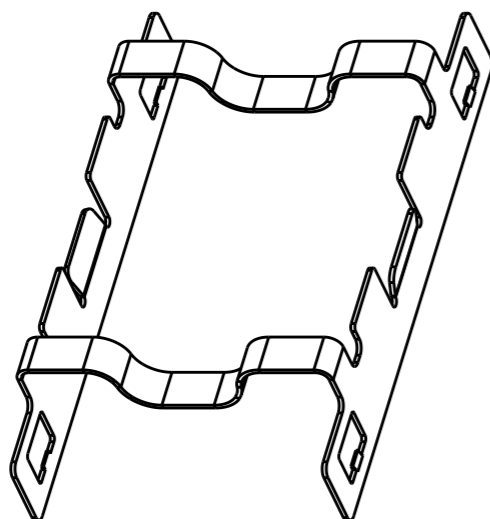
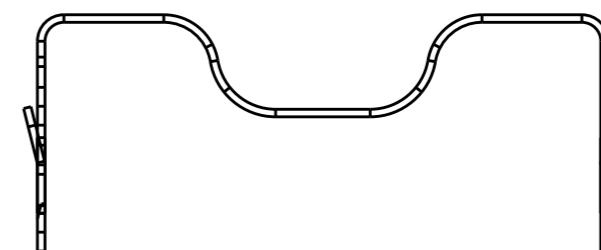
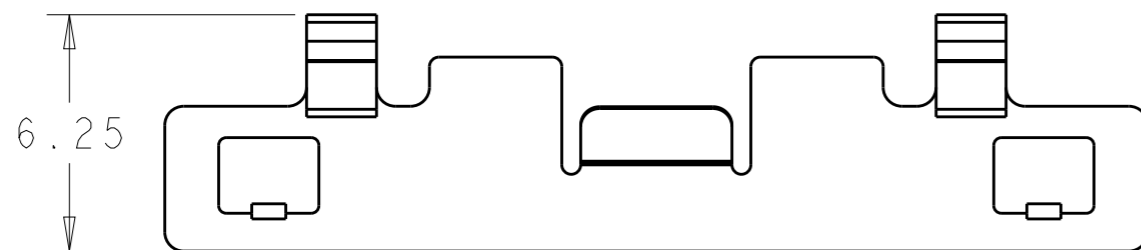
ALL RIGHTS RESERVED.

LOC
GP DIST
00

REVISIONS

P	LTR	DESCRIPTION	DATE	DWN	APVD
-		SEE SHEET 1	-	-	-

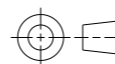
PART NUMBER: 1-1367646-0
UNSPECIFIED DIMENSIONS REFER TO PN 1367646-8



TRAY	1-1367646-0
PACKAGE	PART NUMBER

THIS DRAWING IS A CONTROLLED DOCUMENT.

DIMENSIONS:
mm



TOLERANCES UNLESS OTHERWISE SPECIFIED:

- 0 PLC ±-
- 1 PLC ±-
- 2 PLC ±0.10
- 3 PLC ±-
- 4 PLC ±-
- ANGLES ±-

MATERIAL -

FINISH -

DWN P. KERLIN 11MAY2006

CHK E. BRIGHT 11MAY2006

APVD E. BRIGHT 11MAY2006

PRODUCT SPEC -

APPLICATION SPEC 114-13178

WEIGHT -

Customer Drawing

STE TE Connectivity

NAME
HEAT SINK CLIP,
DWDM SFP

SIZE CAGE CODE DRAWING NO RESTRICTED TO

A3 00779 C-1367646

SCALE 5:1 SHEET 3 OF 3 REV C3

单击下面可查看定价，库存，交付和生命周期等信息

[>>TE Connectivity\(泰科\)](#)