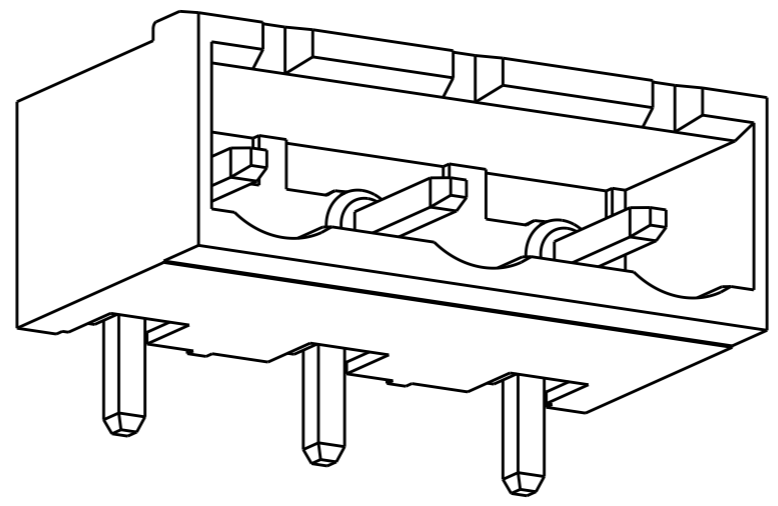
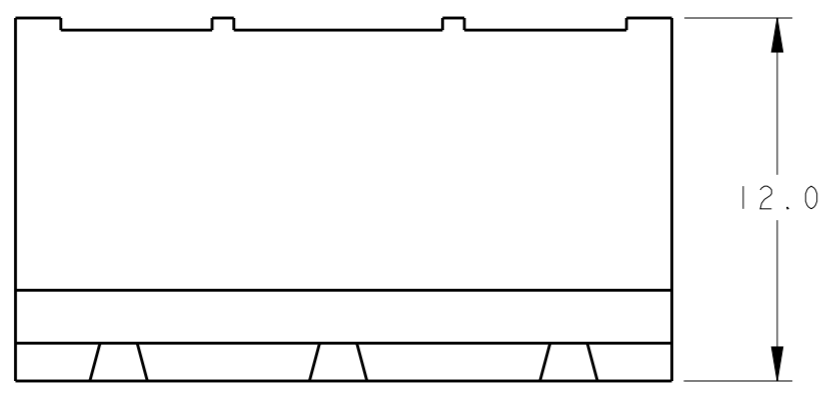


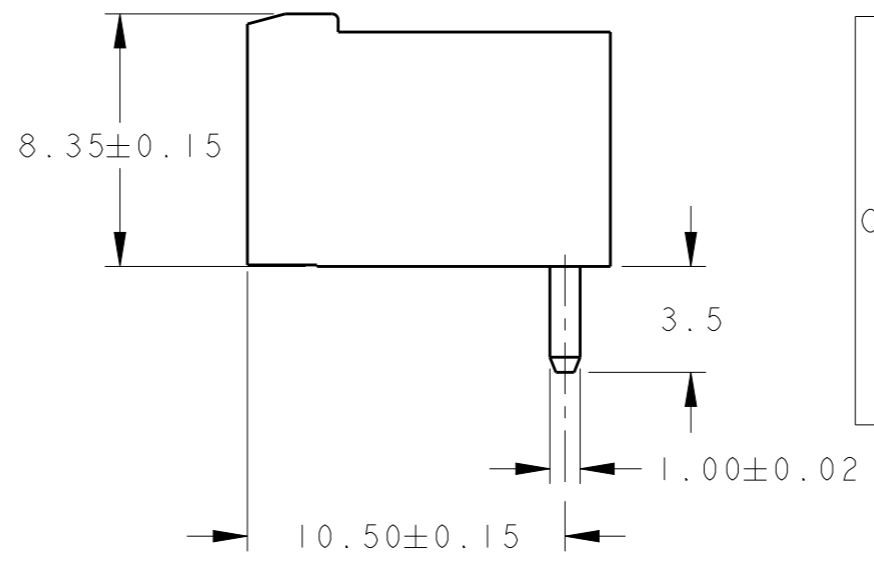
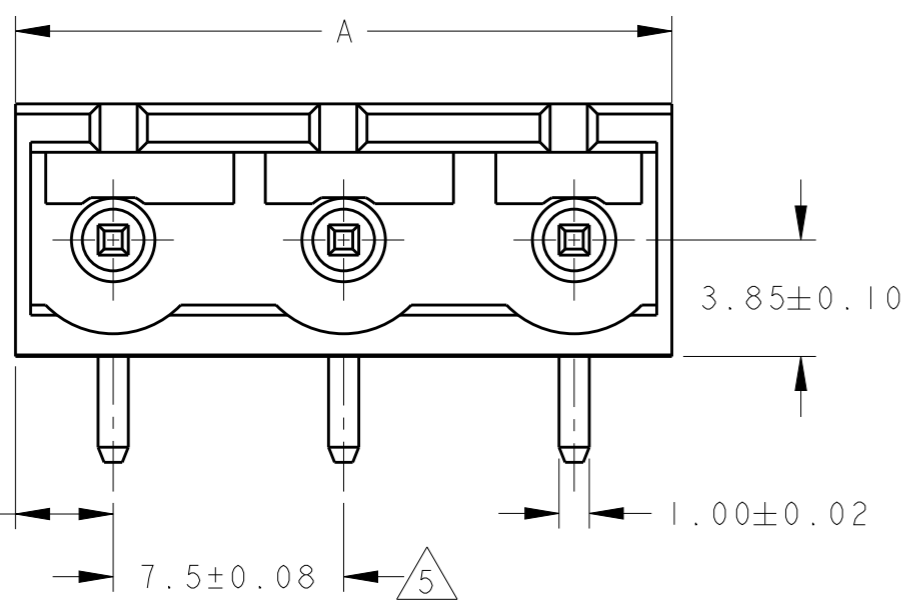
THIS DRAWING IS UNPUBLISHED. RELEASED FOR PUBLICATION 20
© COPYRIGHT 20 ALL RIGHTS RESERVED.

REVISIONS

P	LTR	DESCRIPTION	DATE	DWN	APVD
	C4	PART STATUS UPDATED	11JAN2018	RK	PS

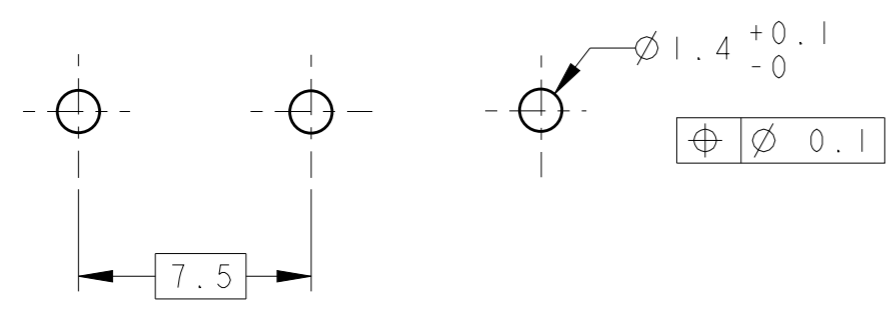


- 1 MATERIALS AND FINISH
HOUSING: PA 6-6, UL 94-V0, COLOR: SEE TABLE.
TERMINAL: COPPER ALLOY, TIN PLATED.
- 2 SUITABLE FOR 1,6-2,4mm PC BOARD THICKNESS.
- 3 RECOGNIZED UNDER THE COMPONENT PROGRAM OF UNDERWRITERS LABORATORIES INC. FILE NO E60677.
- 4 IMQ CERTIFICATE WITH SURVEILLANCE IN CONFORMITY WITH IEC 998-1/998-2-1.
- 5 NOT CUMULATIVE TOLERANCE



COLOR	DIM. A	NO OF POS.	PART NUMBER
GRAY	21.70	3	1-282962-3
GREEN	89.20	12	1-282962-2
GREEN	81.70	11	1-282962-1
GREEN	74.20	10	1-282962-0
GREEN	66.70	9	282962-9
GREEN	59.20	8	282962-8
GREEN	51.70	7	282962-7
GREEN	44.20	6	282962-6
GREEN	36.70	5	282962-5
GREEN	29.20	4	282962-4
GREEN	21.70	3	282962-3
GREEN	14.20	2	282962-2

RECOMMENDED PC BOARD LAYOUT



THIS DRAWING IS A CONTROLLED DOCUMENT.

DWN E. ZANOLINI 14DEC2001	TE Connectivity NAME TERMINAL BLOCK, HEADER ASSEMBLY 90 DEG CLOSED ENDS 7.5mm PITCH					
CHK D. BIEVENOUR 14DEC2001						
APVD D. BIEVENOUR 14DEC2001						
PRODUCT SPEC 108-20166						
MATERIAL	FINISH	APPLICATION SPEC 114-20079	SIZE A300779	CAGE CODE C-282962	DRAWING NO	RESTRICTED TO
CUSTOMER DRAWING		WEIGHT -	SCALE 4:1	SHEET 1 OF 1	REV C4	

单击下面可查看定价，库存，交付和生命周期等信息

[>>TE Connectivity\(泰科\)](#)