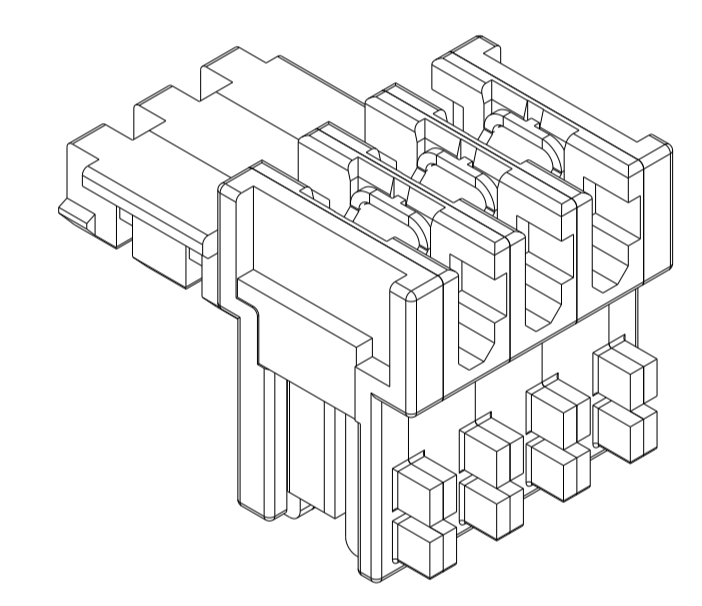
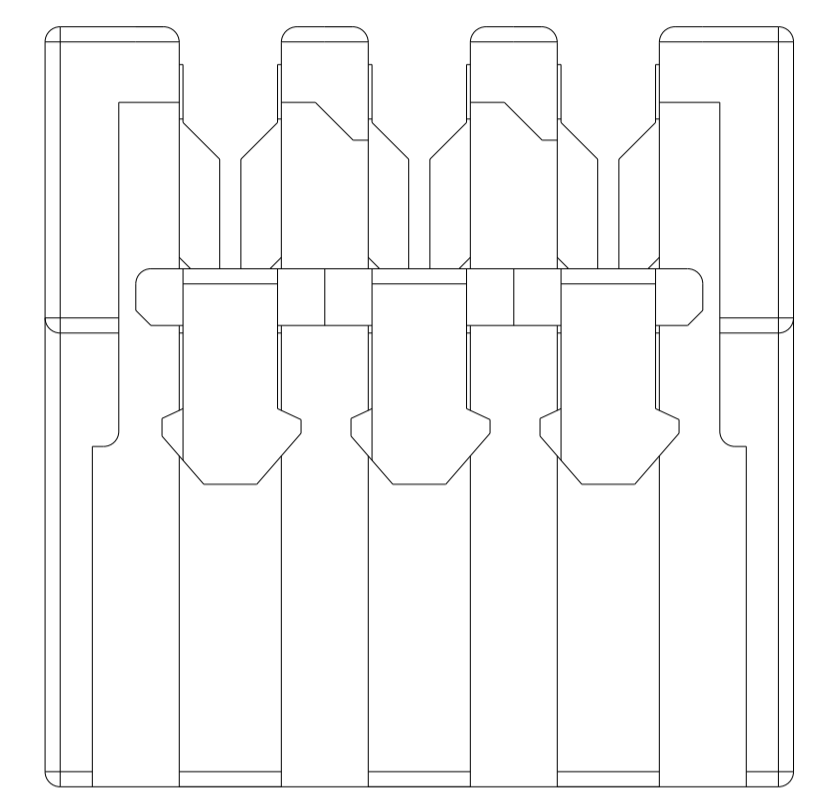
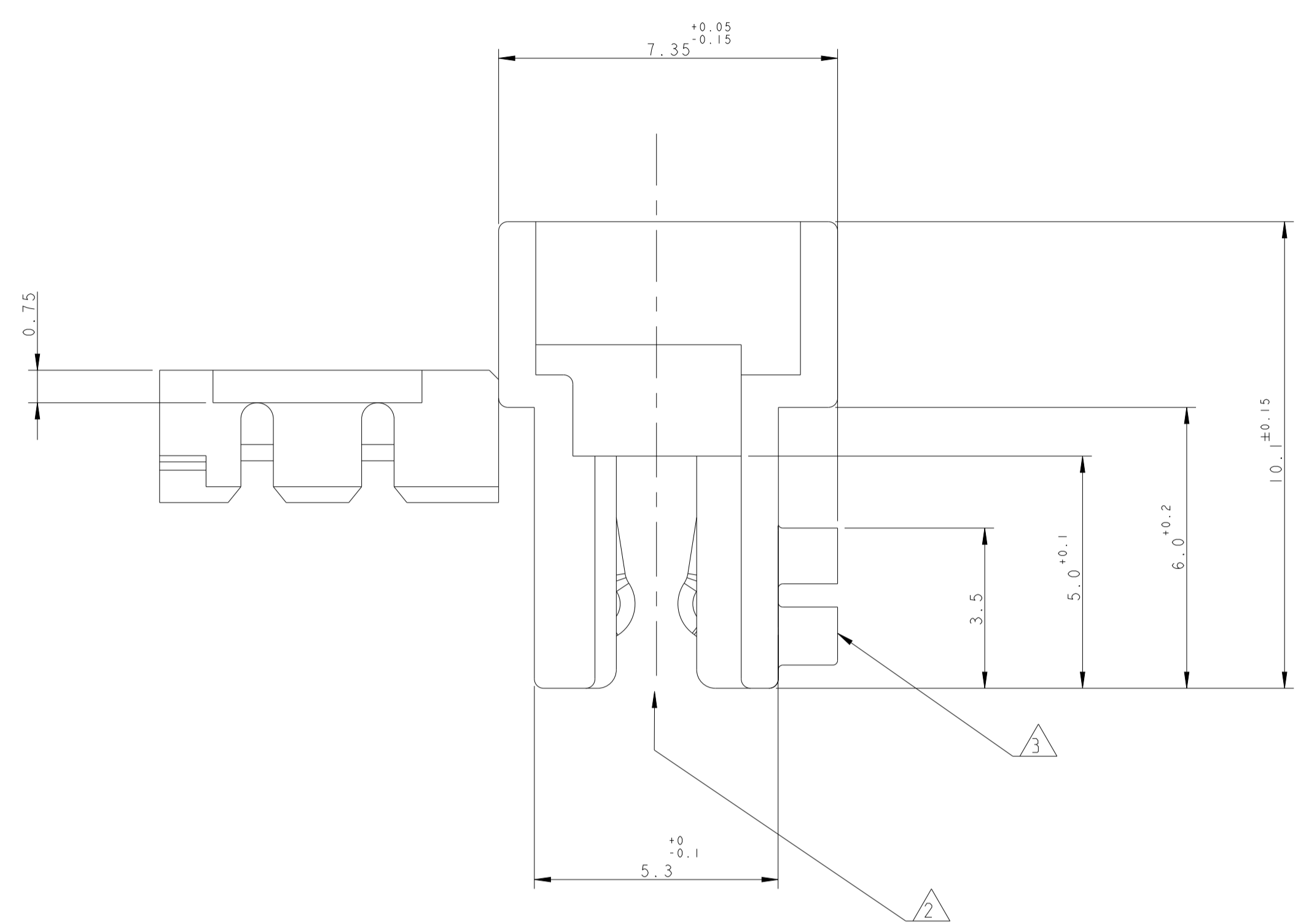
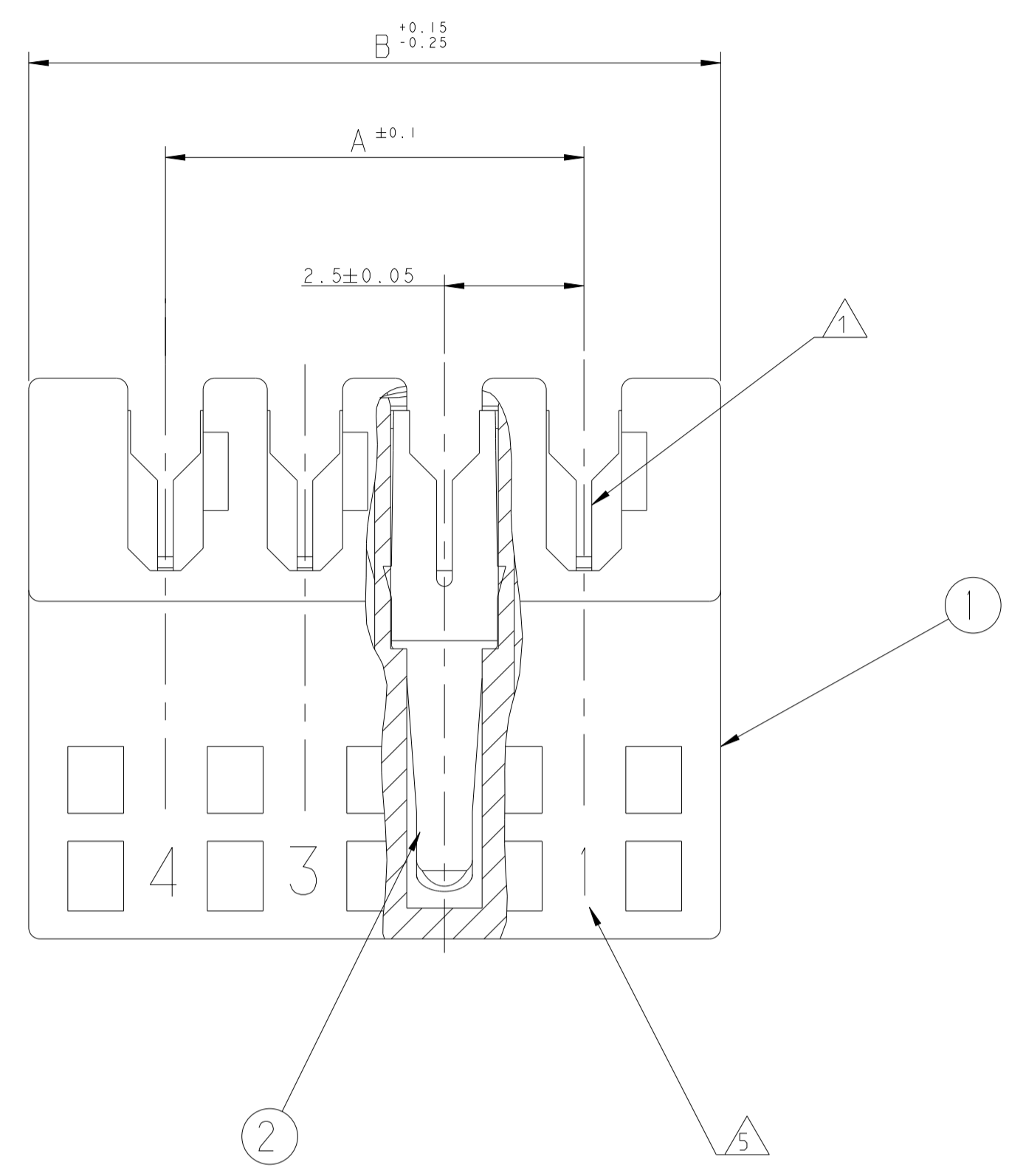
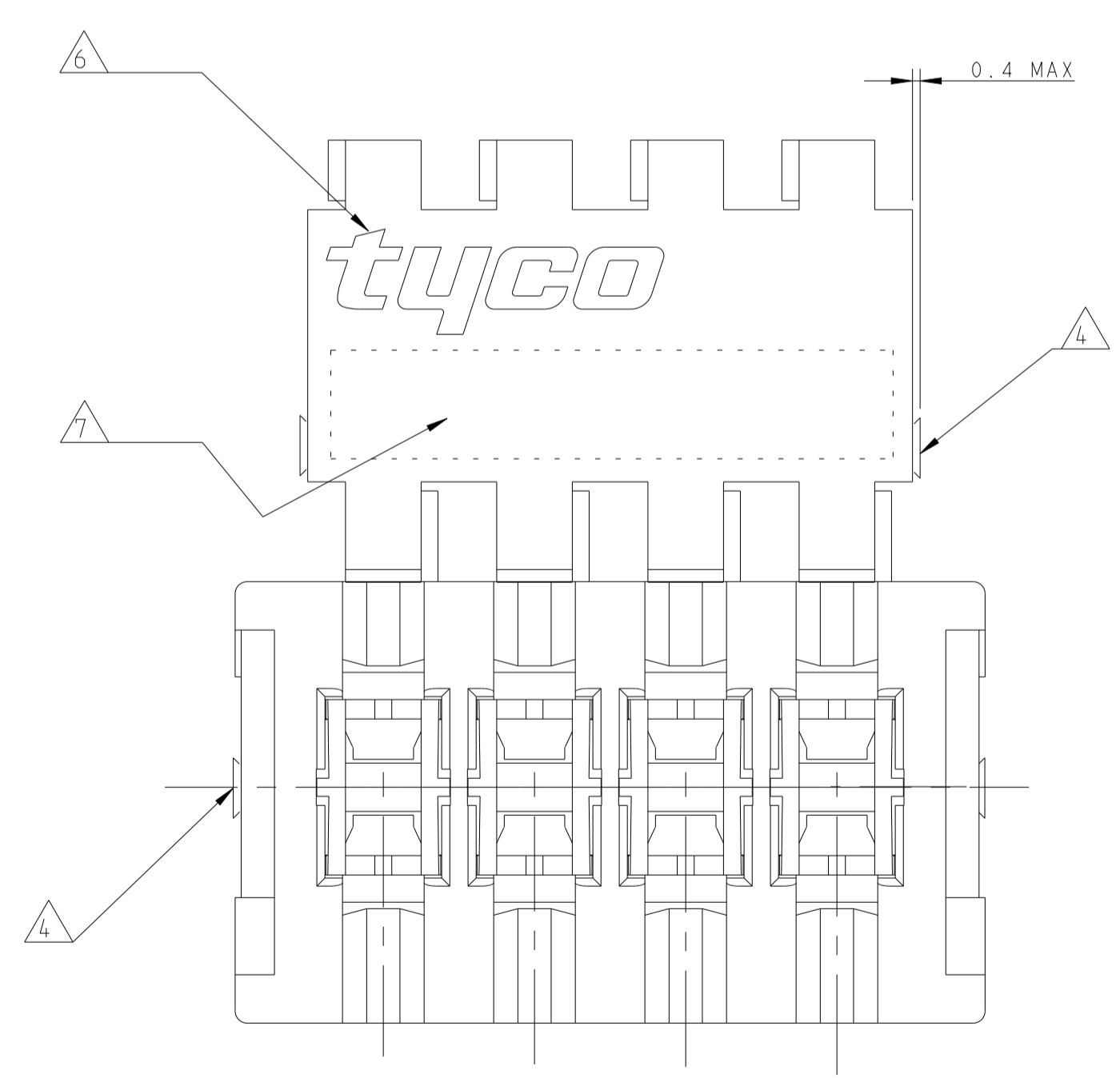


REVISONS		DATE	DWN	APVD
P	LTN	DESCRIPTION		
A14		REVISED PER ECR-18-017204	23NOV2018	BW DC
B		REVISED PER ECR-19-015552	03NOV2019	KD FL
B1		ECR-21-121338	23NOV2021	DC FL



P/N 0-284930-3 AS SHOWN



- ① WIRE RANGE : STRANDED 0.22-0.35 mm² (INS. DIA. 1.30±0.1)
- ② MATING PART: TAB HEADER P/Ns 1971817, 1971818 AND EQUIVALENT;
PCB FRAME P/N 964575 (PCB THK 1.5±0.14 COPPER CLADDING INCLUDED)
SEE PRODUCT SPEC. 108-18056 FOR FRAME APPLICATION
- ③ KEYING RIBS TO BE REMOVED BY TERMINATION MACHINE
- ④ CUT OFF DIMENSION DUE TO PRODUCTION PROCESS
- ⑤ CIRCUIT No. IDENTIFICATION
- ⑥ TYCO ELECTRONICS TRADEMARK (OPTIONAL POSITION)
- ⑦ TAMOGRAPHIC COLOUR CODE AREA
(P/Ns IDENTIFICATION BEFORE CRIMPING)
- ⑧ OBSOLETE PARTS: OBSOLETE CIS STREAMLINING PER D.RENAUD/D.SINISI
- ⑨ PBT GF
- ⑩ PBT GF, UL94-V0 & GWEPT 750 NO-FLAME, NATURAL
- ⑪ PRELIMINARY PN NOT FOR PRODUCTION
- ⑫ ALTERNATIVE RESIN PBT GF

OBsolete	NATURAL	13	30.0	34.9	5x	1-284930-3	-	1-2402726-3
		11	25.0	29.9	6x	1-284930-1	2311501-1	1-2402726-9
OBsolete	NATURAL	10	22.5	27.4	6x	1-284930-0	-	1-2402726-9
		9	20.0	24.9	7x	284930-9	-	2402726-9
OBsolete	NATURAL	8	17.5	22.4	8x	2-284930-8	-	2-2402726-8
		8	17.5	22.4	8x	0-284930-8	2311500-8	2402726-8
		7	15.0	19.9	8x	0-284930-7	2311500-7	2402726-7
	BLUE	6	12.5	17.4	10x	2-284930-6	1-2311500-6	2-2402726-6
		6	12.5	17.4	10x	0-284930-6	2311500-6	2402726-6
OBsolete	NATURAL	5	10.0	14.9	11x	2-284930-5	-	2-2402726-5
		5	10.0	14.9	11x	0-284930-5	2311500-5	2402726-5
OBsolete	NATURAL	4	7.5	12.4	13x	3-284930-4	-	3-2402726-4
	RED	4	7.5	12.4	13x	2-284930-4	1-2311500-4	2-2402726-4
		4	7.5	12.4	13x	0-284930-4	2311500-4	2402726-4
OBsolete	NATURAL	3	5.0	9.9	16x	5-284930-3	-	5-2402726-3
	BLUE	3	5.0	9.9	16x	4-284930-3	-	4-2402726-3
	BROWN	3	5.0	9.9	16x	3-284930-3	-	3-2402726-3
	GREEN	3	5.0	9.9	16x	2-284930-3	2-2311500-3	2-2402726-3
		3	5.0	9.9	16x	0-284930-3	1-2311500-3	2-2402726-3
	COLOUR CODE	HSG POS	DIM.A	DIM.B	⑨ TE P/N	⑩ TE P/N	⑫ TE P/N	

SEE TABLE	PH. BRONZE, TIN PLATED	IDC RECEPTACLE CONTACT	2	DIMENSIONS: mm TOLERANCES UNLESS OTHERWISE SPECIFIED: 0 PLC ±0.2 1 PLC ±0.2 2 PLC ±0.2 3 PLC ±0.2 4 PLC ±0.2 ANGLES ±1° FINISH -
Q.TY	PBT GLASS FIBER FILLED	FEMALE HOUSING	1	
	MATERIAL	DESCRIPTION	ITEM	MATERIAL SEE TABLE
REVISIONE DELL'ASSEMBLATO (REVISION OF EACH ASSY NO)				
ELENCO DEI COMPONENTI (PARTS LIST)				

OWN: R. FABRIS	27FEB2004	STE TE Connectivity DUOPLUG 2.5 FEMALE CONNECTOR STANDARD VERSION (FULLY LOADED)
CHK: -	-	
APVD: G. TURCO	27FEB2004	NAME
PRODUCT SPEC	108-18056	SIZE
APPLICATION SPEC	114-18049-1	CAGE CODE
WEIGHT	-	DRAWING NO
CUSTOMER DRAWING	-	⑬

单击下面可查看定价，库存，交付和生命周期等信息

[>>TE Connectivity\(泰科\)](#)