

4

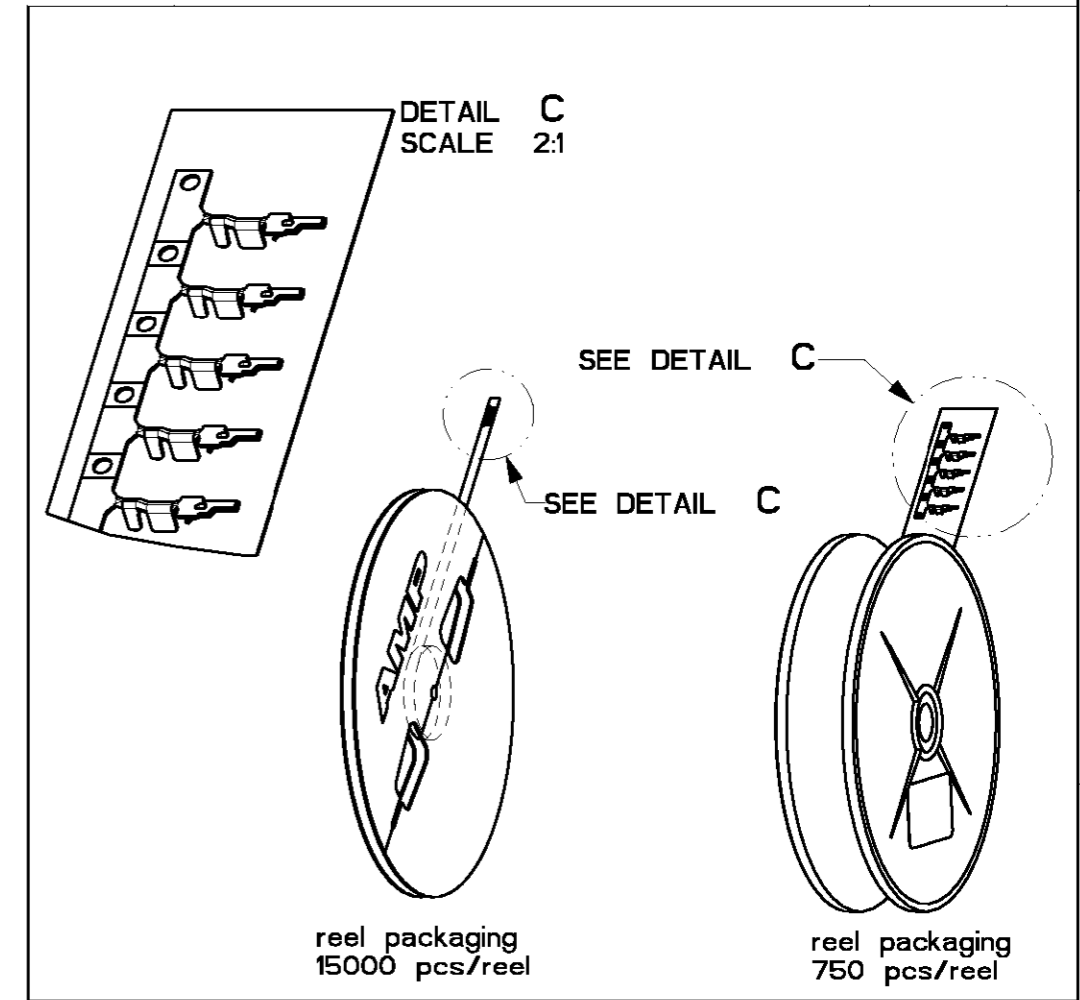
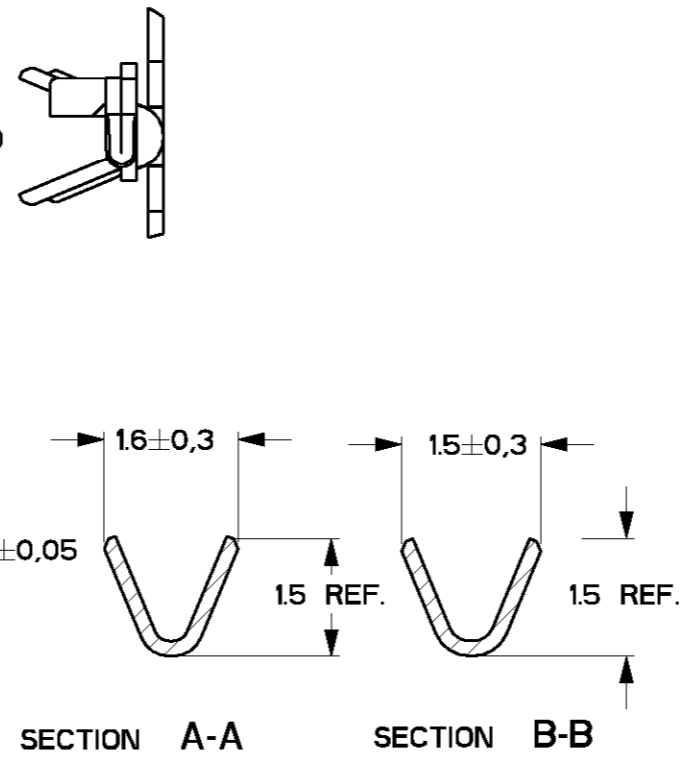
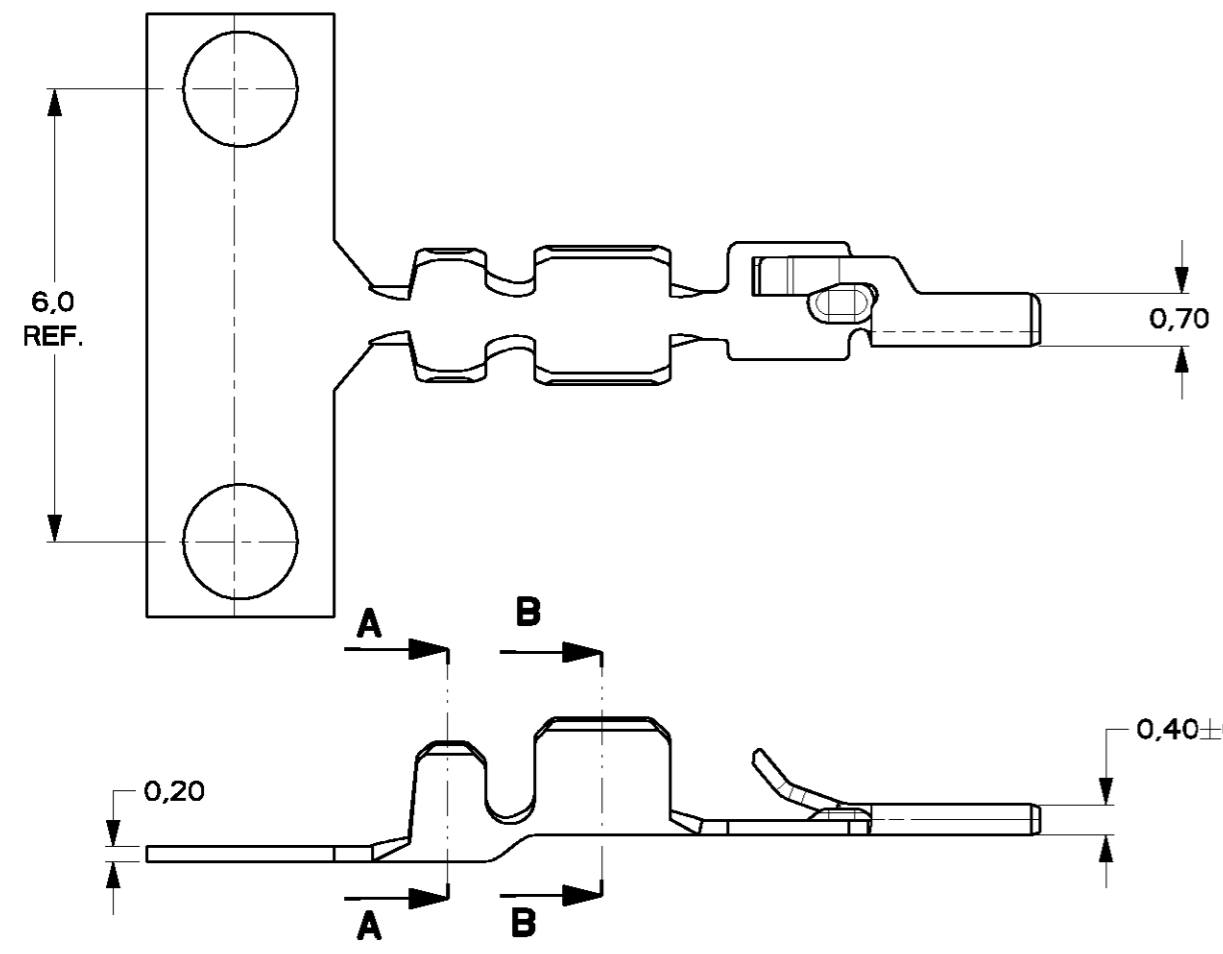
3

2

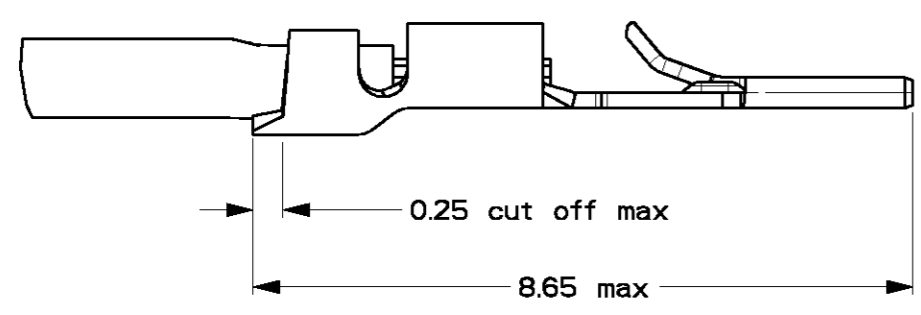
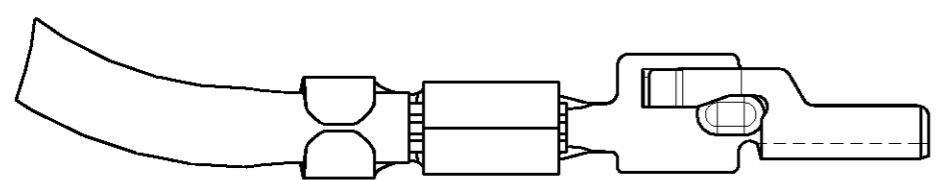
1

THIS DRAWING IS UNPUBLISHED. **XXXXXXXXXXXX** DATE: -  
 © COPYRIGHT - BY ALL RIGHTS RESERVED.

LOC	DIST	REVISIONS			
H	-	LTR	DESCRIPTION	DATE	APVD
		E1	REVISED PER ECO-11-005294	30APR11	HMR



- NOTES:**
1. WIRE RANGE 24-28 AWG
  2. INSULATION RANGE  $\phi$  .030- .040 (0,76-1,00 mm)
  3. FOR APPLICATOR USE ONLY
  4. FOR HANDTOOL USE ONLY
  5. FOR APPLICABLE CONNECTOR HOUSINGS SEE C-338095.



750	Pre-Tin	COSI-contact	Phosphorbronze	1-0338096-1
15000	Pre-Tin	COSI-Contact	Phosphorbronze	0-0338096-1
Pcs/reel	Finish	Description	Material	Part number

DWN M.v.Amelsfoort		TE Connectivity		
CHK H.v.Delft				
APVD -		NAME Micro-MaTch		
PRODUCT SPEC 108-19052		COSI-CONTACT		
APPLICATION SPEC 114-19051		SIZE A3	CAGE CODE 00779	DRAWING NO C-338096
MATERIAL Brass		SCALE 10:1 SHEET 1 OF 1 REV E1		
FINISH Pre-tinplated		CUSTOMER DRAWING		

单击下面可查看定价，库存，交付和生命周期等信息

[>>TE Connectivity\(泰科\)](#)