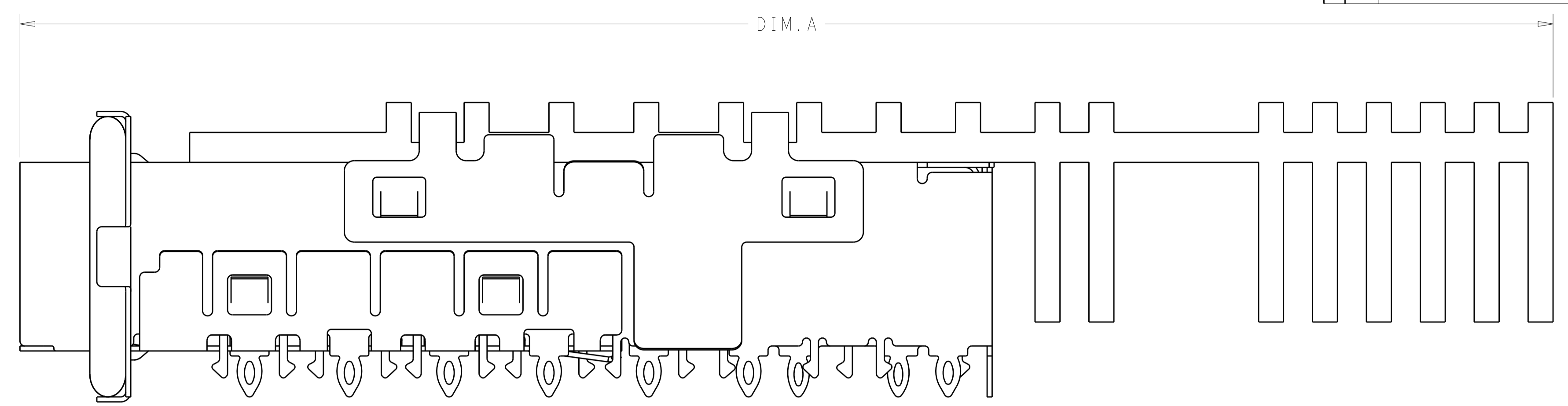


LOC	DIST	REVISIONS					
GP	00	P	LTN	DESCRIPTION	DATE	DWN	APVD
		A		PRODUCTION RELEASE	29FEB2016	JW	SH

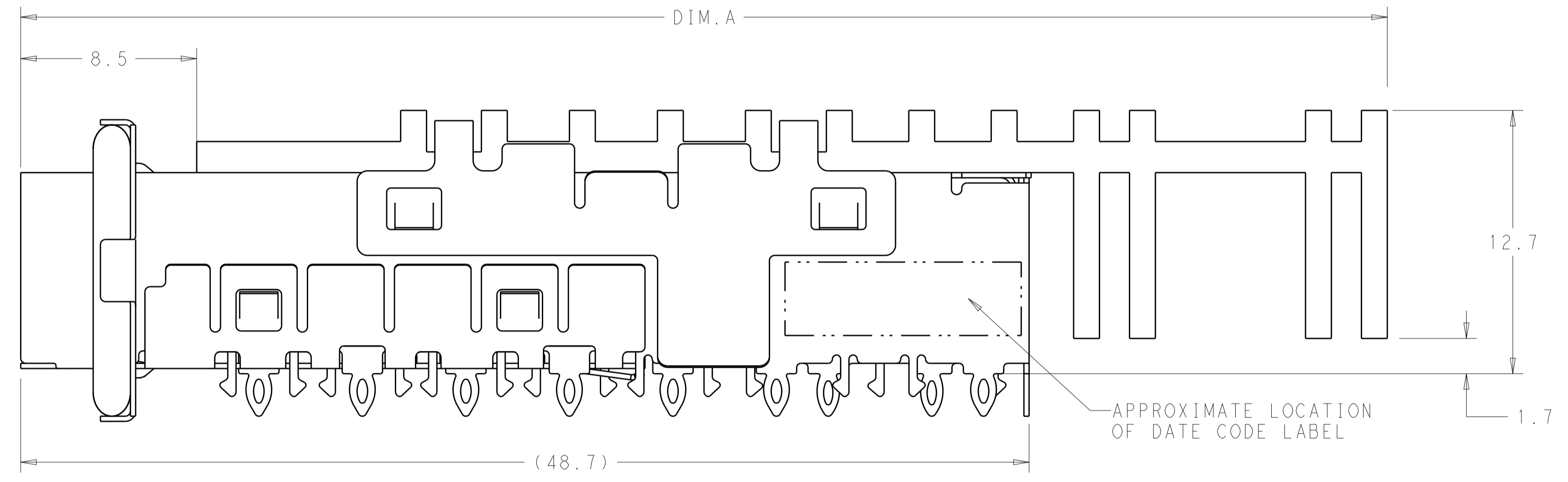
**MATERIAL:**  
 CAGE ASSEMBLY: 0.25mm THICK NICKEL SILVER ALLOY  
 GASKET RETENTION PLATE: STAINLESS STEEL  
 EMI GASKET: PLATED FILLED SILICONE  
 HEATSINK: ALUMINUM  
 HEATSINK CLIP: STAINLESS STEEL

**FINISH:**  
 HEATSINK: HARD ANODIC COATING FOR 2170106-1 THRU -2  
 HEATSINK; ELECTROLESS NICKEL FOR 2170106-3 THRU -4  
 HEATSINK CLIP: PASSIVATE

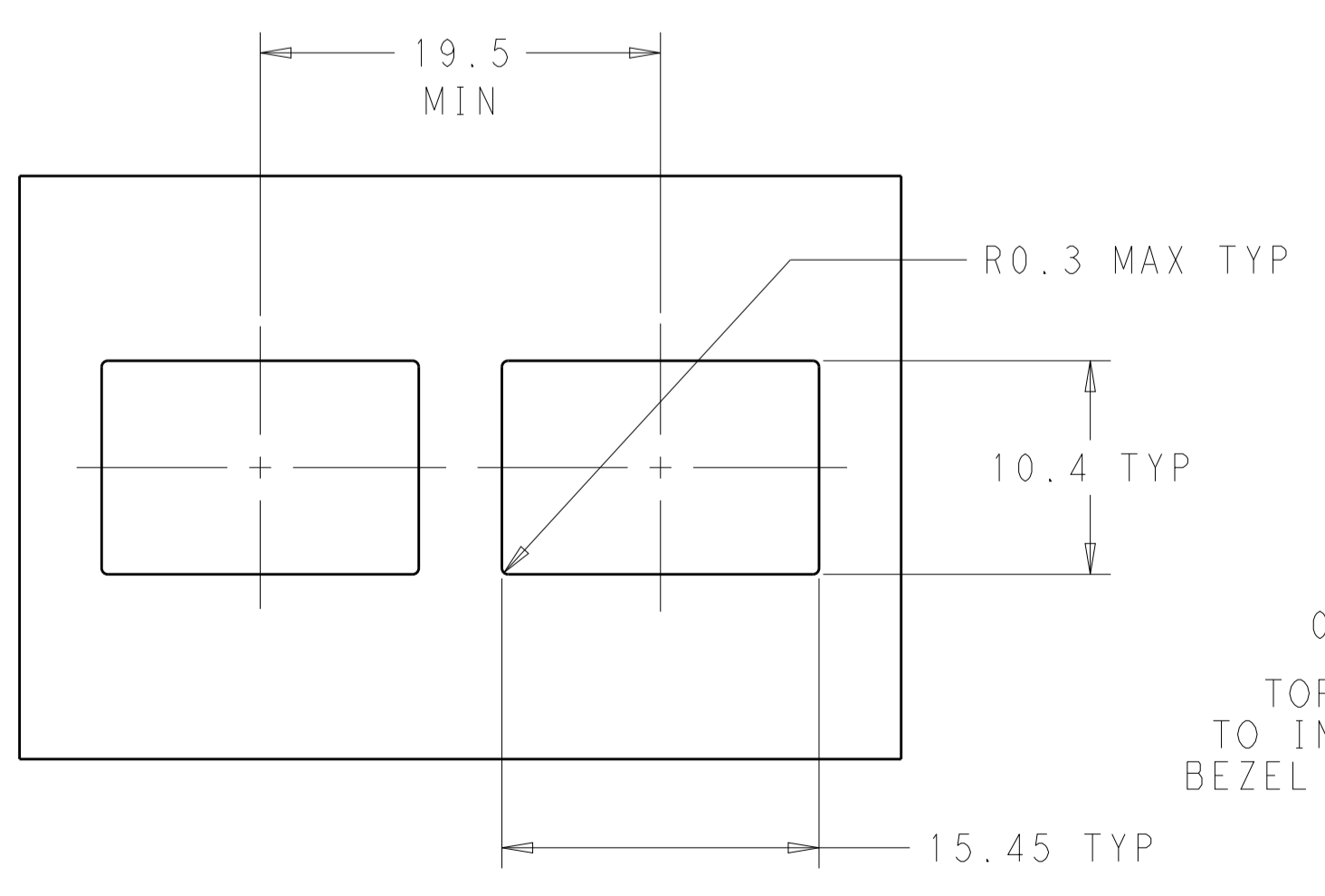
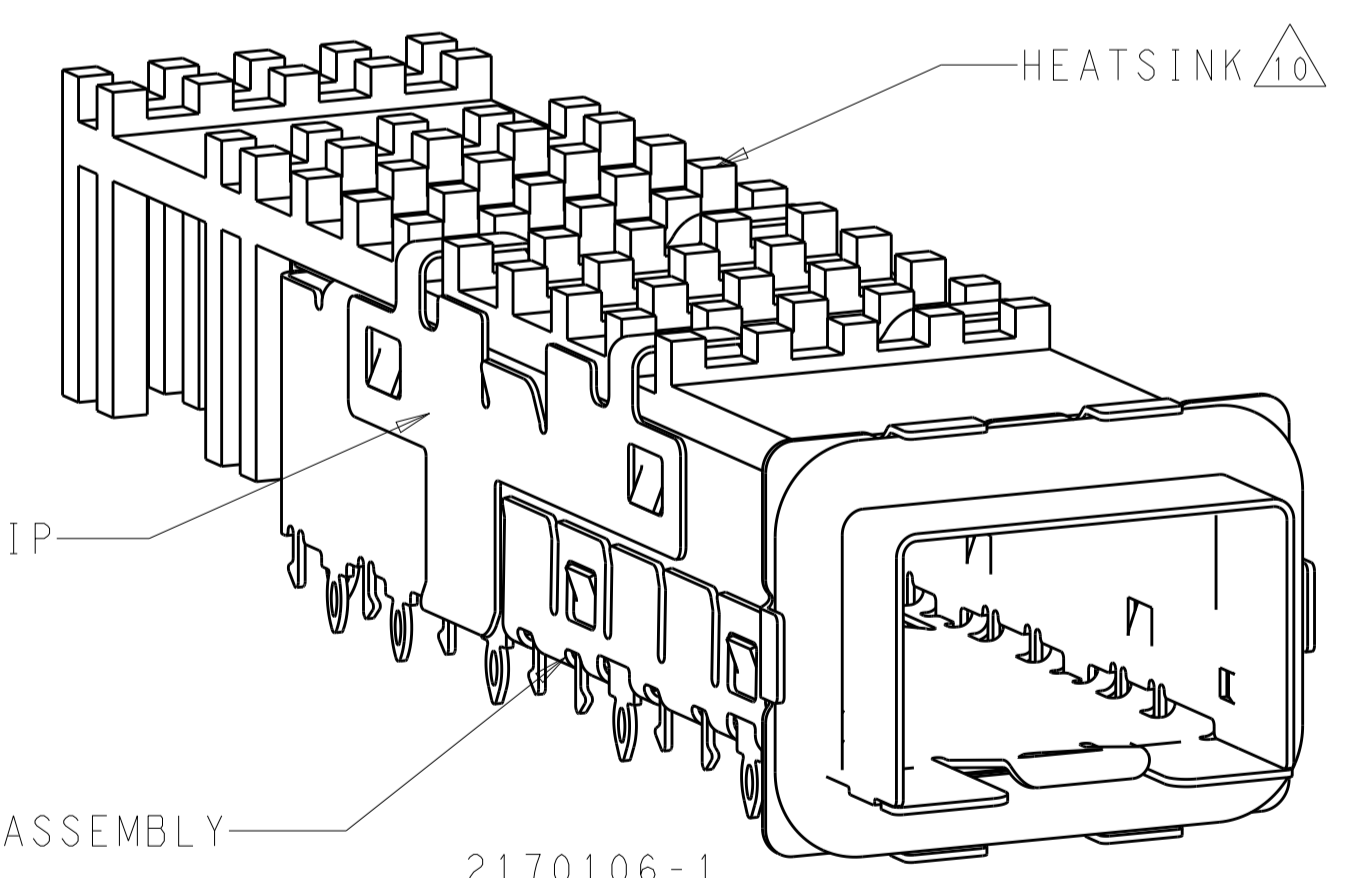
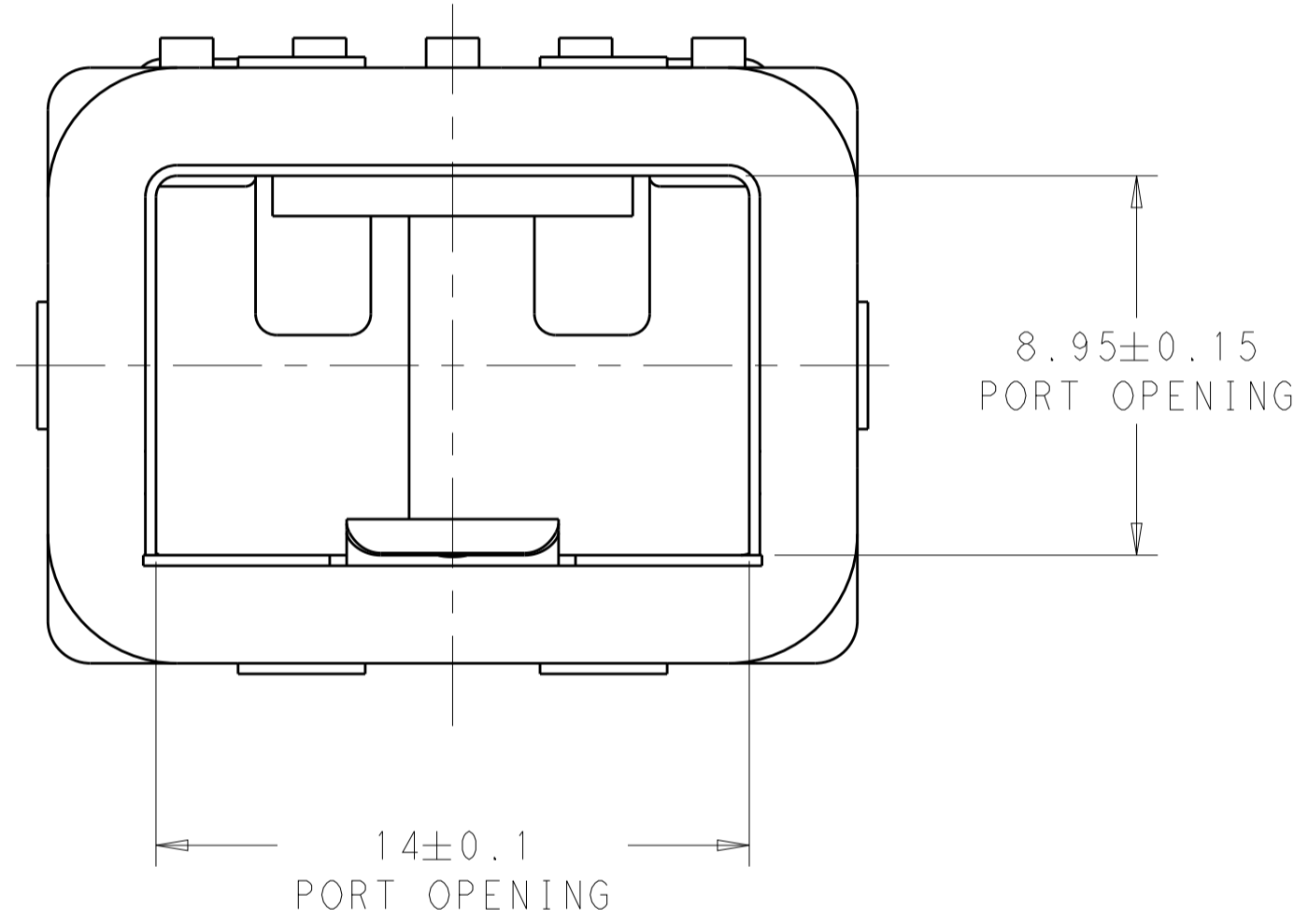
- 3. MATES WITH SFP MSA COMPLIANT TRANSCEIVERS.
- 4. PADS AND VIAS CHASSIS GROUND.
- 5. DATUM AND BASIC DIMENSION ESTABLISHED BY CUSTOMER.
- 6. MINIMUM PC BOARD THICKNESS: SINGLE SIDED = 1.45
- 7. REFERENCE APPLICATION SPEC. 114-13120, HOLE A, FOR RECOMMENDED DRILL HOLE DIAMETER AND PLATING THICKNESS.
- 8. REFERENCE APPLICATION SPEC. 114-13120, HOLE B, FOR RECOMMENDED DRILL HOLE DIAMETER AND PLATING THICKNESS.
- 9. DIMENSIONS APPLIES PRIOR TO INSERTION OF SFP MODULE.
- 10. HEATSINK CLIP AND HEATSINK SHIPPED UNASSEMBLED TO CAGE ASSEMBLY, CAGE ASSEMBLY TO BE PRESSED INTO THE PCB PRIOR TO ATTACHING THE HEATSINK CLIP AND HEATSINK TO THE CAGE ASSEMBLY.
- 11. PRILIMIARY PART, NO RELEASED TO MASS PRODUCTION



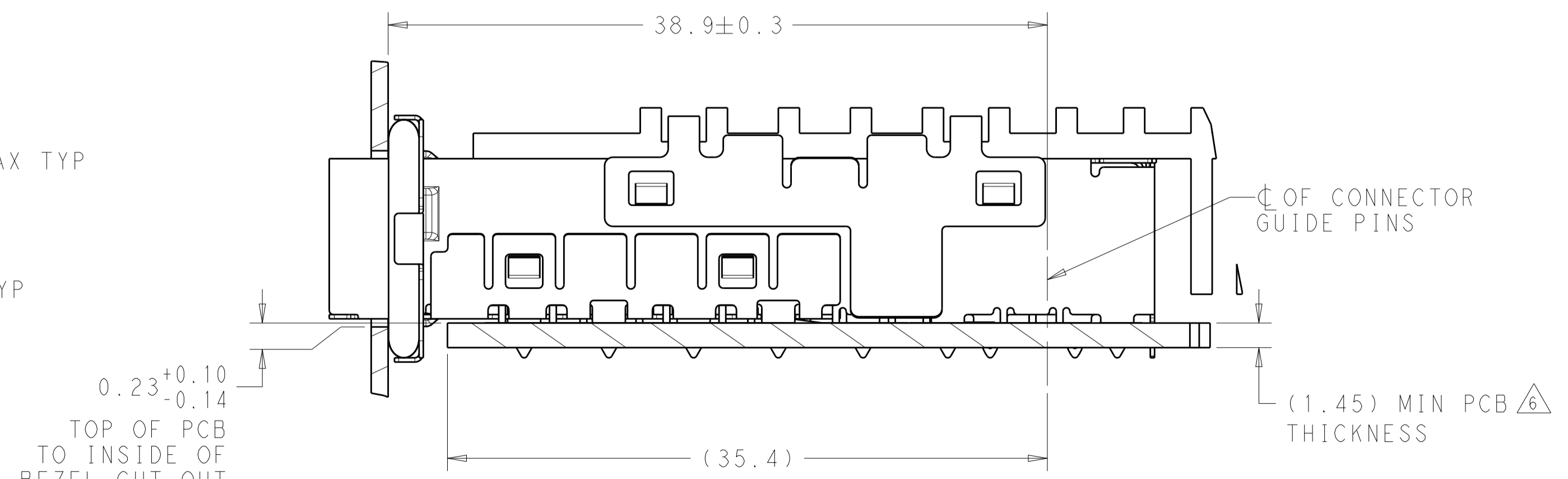
2170106-2 OR 2170106-4  
RIGHT SIDE VIEW



2170106-1 OR 2170106-3  
RIGHT SIDE VIEW



RECOMMENDED BEZEL CUT-OUT  
SCALE 3:1



2170106-1  
MOUNTED ON PCB  
SHOWN THRU RECOMMENDED BEZEL  
SCALE 4:1

DESCRIPTION	DIM.A	PART NUMBER
CAGE WITH LONG HEAT SINK	76.8	2170106-4
CAGE WITH SHORT HEATSINK	66	2170106-3
CAGE WITH ANODIZED LONG HEAT SINK	76.8	2170106-2
CAGE WITH ANODIZED SHORT HEATSINK	66	2170106-1

THIS DRAWING IS A CONTROLLED DOCUMENT.		DWN: TIM XUE 02JUN2011	<b>STE</b> TE Connectivity
DIMENSIONS: mm		CHK: C. WANG 02JUN2011	
TOLERANCES UNLESS OTHERWISE SPECIFIED:		APVD: C. WANG 02JUN2011	
0 PLC ±0.10 1 PLC ±0.10 2 PLC ±0.10 3 PLC ±0.05 4 PLC ±0.05 ANGLES ±0.05		NAME: SFP+ ENHANCED CAGE ASSEMBLY PRESS FIT, EMI GASKET, W/ HEAT SINK	
MATERIAL:	FINISH:	APPLICATION SPEC: 114-13120	SIZE: CAGE CODE DRAWING NO: A100779C=2170106
CUSTOMER DRAWING		WEIGHT: -	RESTRICTED TO: -
		SCALE: 6:1	SHEET 1 OF 2 REV A



单击下面可查看定价，库存，交付和生命周期等信息

[>>TE Connectivity\(泰科\)](#)