

THIS DRAWING IS UNPUBLISHED.

RELEASED FOR PUBLICATION

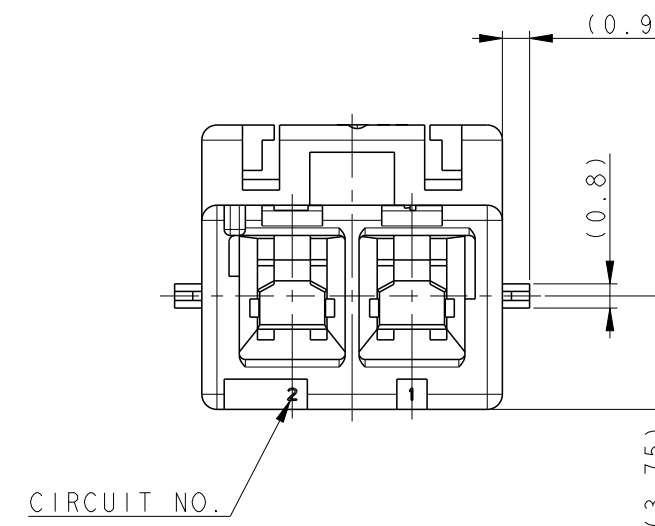
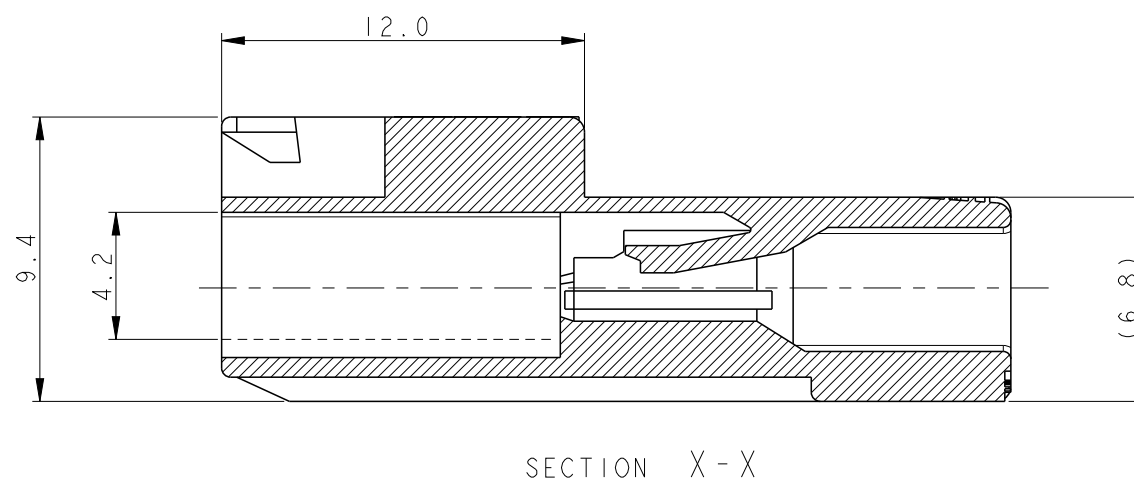
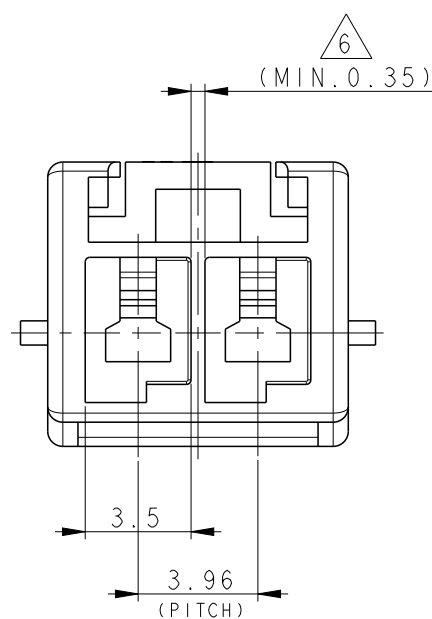
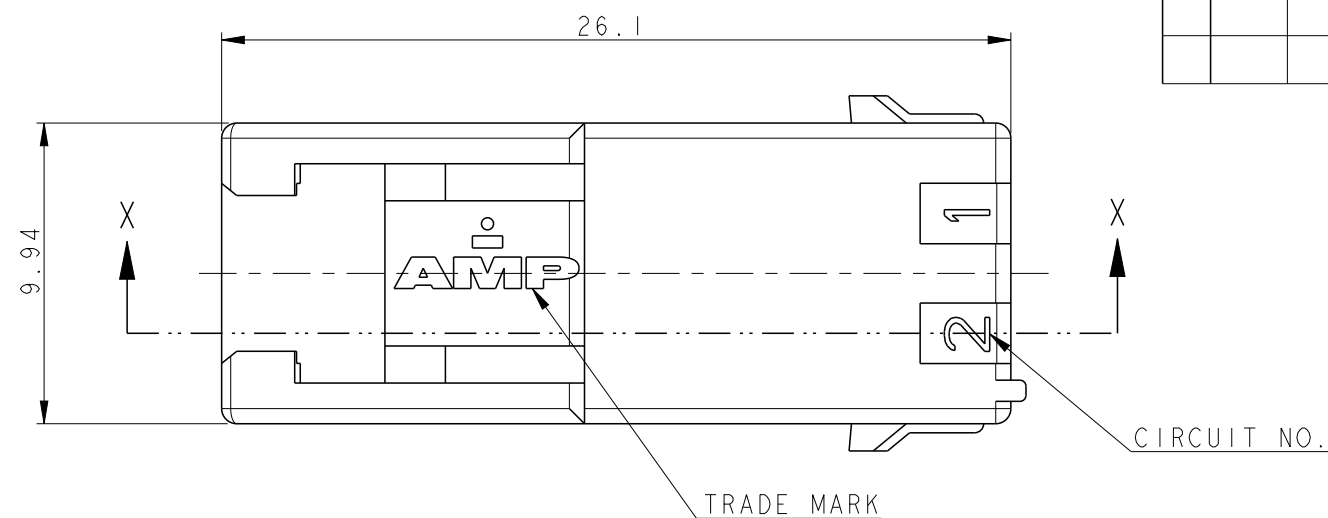
20

© COPYRIGHT 20 BY -

ALL RIGHTS RESERVED.

REVISIONS

P	LTR	DESCRIPTION	DATE	DWN	APVD
	B	REVISED PER ECR-18-016962	29OCT2018	SC	BH

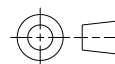


NOTE;

- APPLICABLE CONTACT P/N
-TAB CONTACT: 177917-□ (AWG#16-#20)
177916-□ (AWG#22-#26)
- MATING CONN. P/N
-PLUG HSG: 2005247-□
-REC CONTACT: 177915-□ (AWG#16-#20)
: 177914-□ (AWG#22-#26)
- APPLICABLE DOUBLE LOCK PLATE:
177918-1(V-0) / □ -368590-1(V-2,GWT)
*IT SHOULD BE USED CERTAINLY WHEN CABLE ASS'Y
- GENERAL TOLERANCES: ±0.3
- MATERIAL: PA66, UL94V-0, GWIT 775°C, GWEPT 750°C,
CTI 250V AND BALL PRESSURE 125°C
- MIN. THICKNESS OF INSULATING WALL

THIS DRAWING IS A CONTROLLED DOCUMENT.

DIMENSIONS:
mm



MATERIAL



TOLERANCES UNLESS OTHERWISE SPECIFIED:

- 0 PLC ±-
- 1 PLC ±-
- 2 PLC ±-
- 3 PLC ±-
- 4 PLC ±-
- ANGLES ±-
- FINISH -

DWN SC KIM

CHK BW KANG

APVD JK SONG

PRODUCT SPEC 108-61106

APPLICATION SPEC -

WEIGHT -

CUSTOMER DRAWING



TE Connectivity

NAME PDL 2P CAP HSG 3.96mm F/H (GWT)

SIZE	CAGE CODE	DRAWING NO	RESTRICTED TO
------	-----------	------------	---------------

A300779 C-2005248

SCALE 4:1 SHEET 1 OF 1 REV B

单击下面可查看定价，库存，交付和生命周期等信息

[>>TE Connectivity\(泰科\)](#)