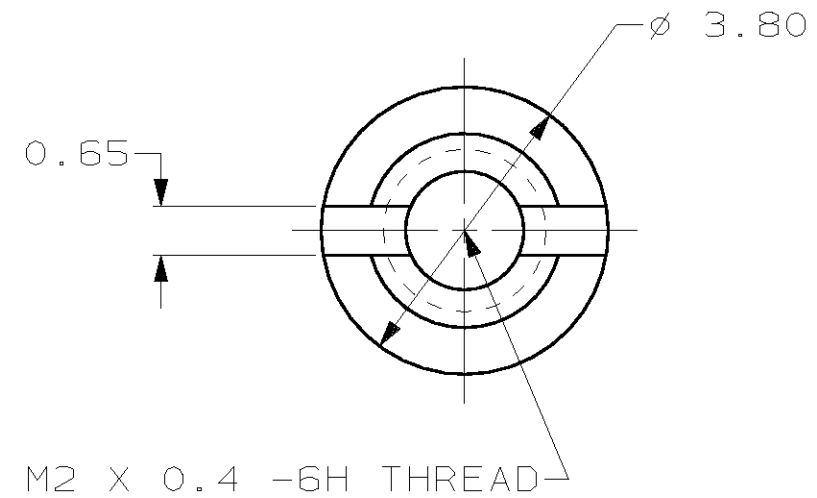
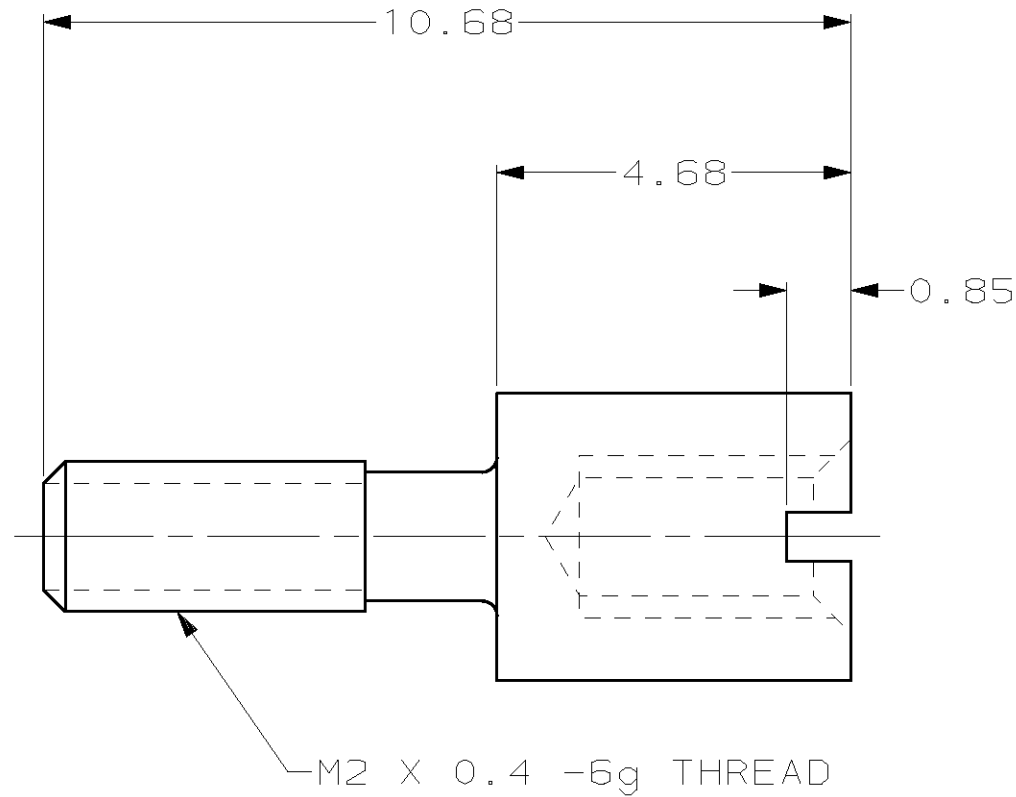


THIS DRAWING IS UNPUBLISHED. RELEASED FOR PUBLICATION, 19 .
© COPYRIGHT 19 BY AMP INCORPORATED. ALL INTERNATIONAL RIGHTS RESERVED.

LOC	DIST	P	F	ZONE	LTR	DESCRIPTION	DATE	APPD
GP	00				B	REVISED PER EC 0513-0408-02	01NOV02	JG



1. DESIGNED FOR USE WITH 1.12±0.08 THICK PANEL.

	200	787004-3
OBSOLETE	2	787004-2
QTY	PART NO	

DO NOT SCALE PRINT. UNLESS SPECIFIED DIMENSIONS IN mm TOLERANCES ON: 2 PLC DEC ± 0.13 3 PLC DEC ± - ANGLES ± -	DR 08/20/93 S.G. SMITH	AMP AMP Incorporated Harrisburg, PA 17105-3608
	CHK 08/20/93 J.J. CONSOLI	
	APPD 07/13/94 J. MOSIER	
	APPD 07/13/94 D. ALBERT	
MATERIAL STAINLESS STEEL	PRODUCT SPEC 108-1471	NAME SCREWLOCK, BOARDMOUNT, 0.8mm CHAMP
FINISH -	APPLICATION SPEC -	SIZE B
	WEIGHT -	CAGE CODE 00779
		DRAWING NO C-787004
		SCALE 10:1
		SHEET 1 OF 1

THIS DRAWING IS A CONTROLLED DOCUMENT FOR AMP INCORPORATED. IT IS SUBJECT TO CHANGE AND THE CONTROLLING ENGINEERING ORGANIZATION SHOULD BE CONTACTED FOR THE LATEST REVISION.

单击下面可查看定价，库存，交付和生命周期等信息

[>>TE Connectivity\(泰科\)](#)