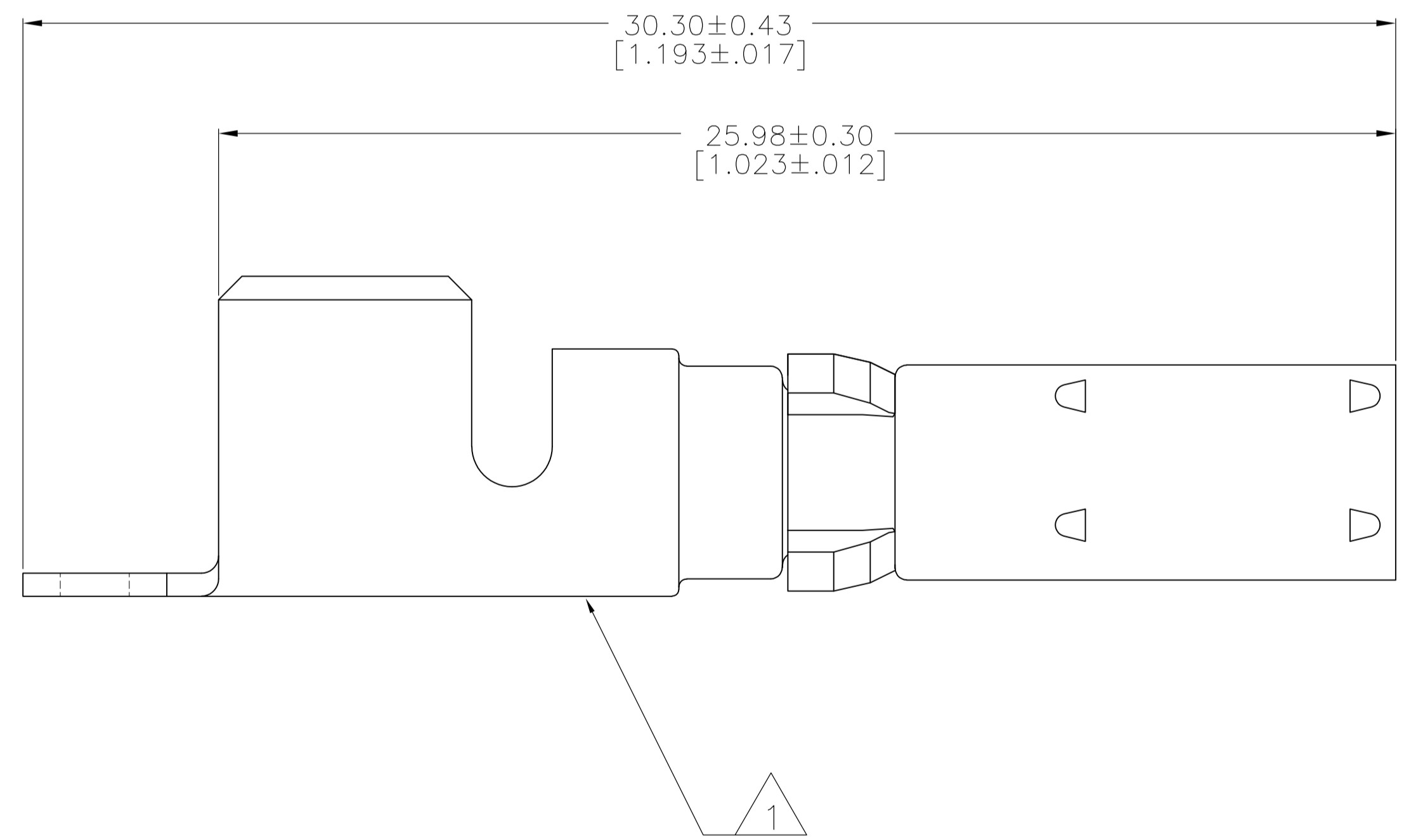
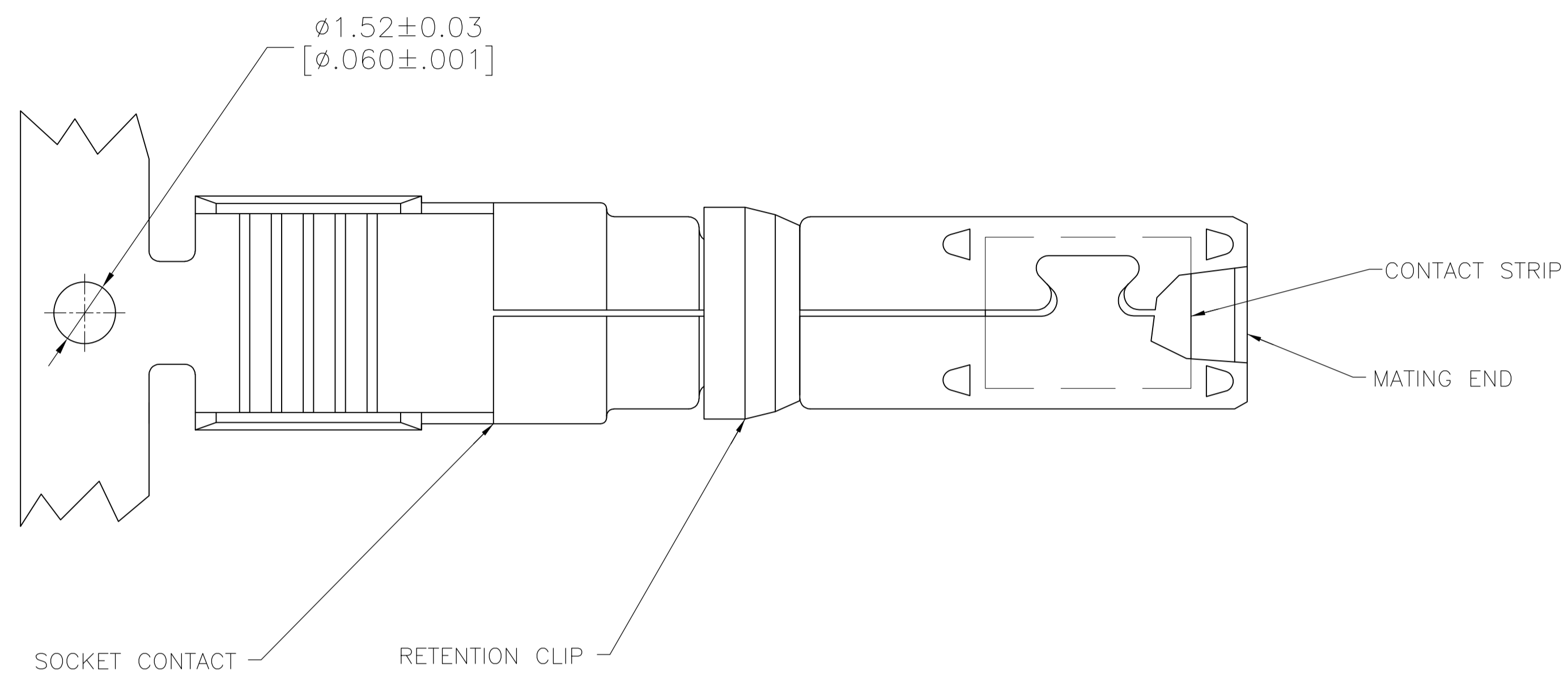
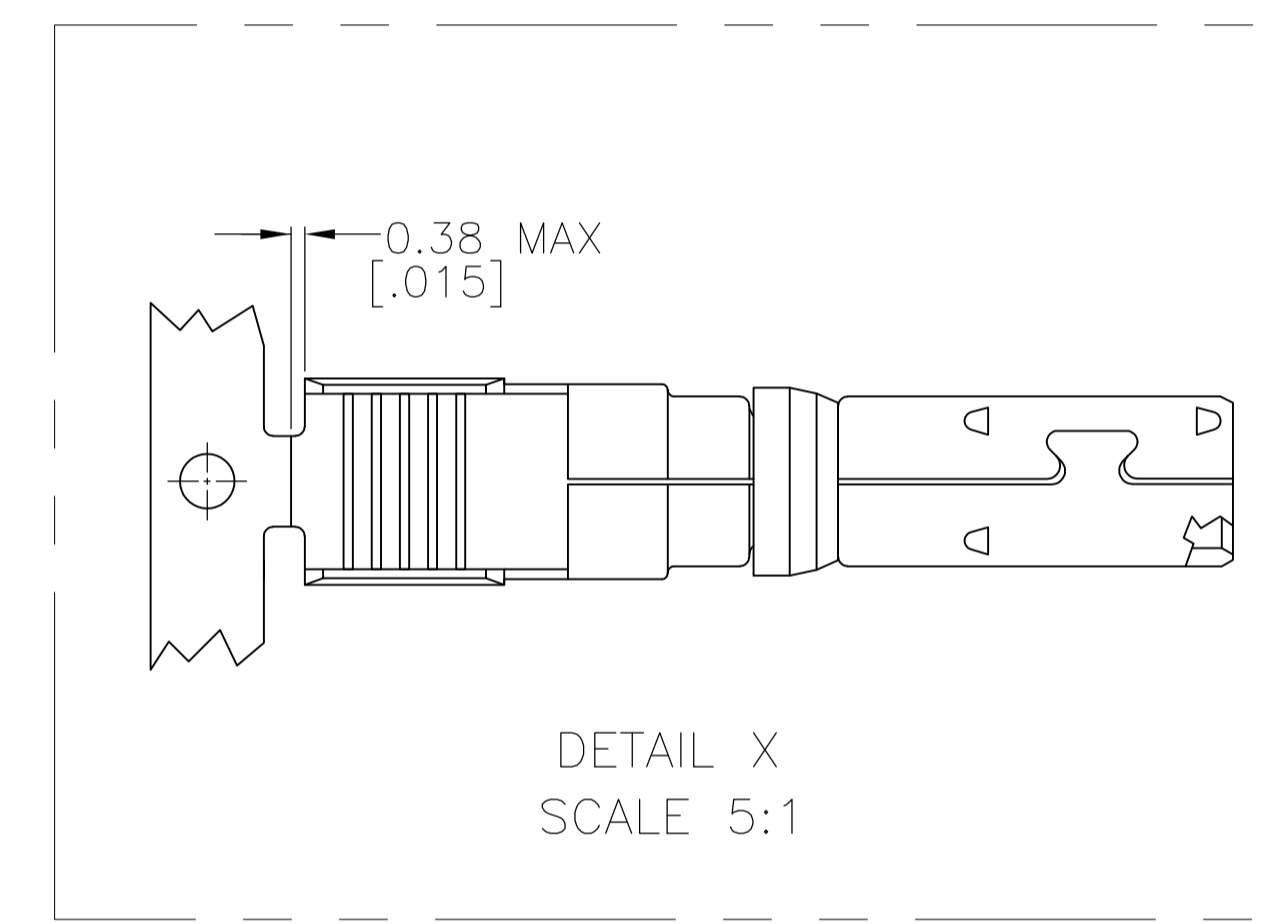


LOC		DIST		REVISIONS			
FT	13	REV	BY	DESCRIPTION	DATE	DMN	APVD
B2	REVISED PER	ECO-15-018367			25DEC2015	NK	MZ



- 1 WIRE SIZE AND AMP LOGO APPEAR ON OUTSIDE OF WIRE BARREL.
- 2 SOCKET CONTACT: 0.38[m [.000015] MIN GOLD PER MIL-G-45204 ON CONTACT MATING END, GOLD FLASH ON REMAINDER , ALL OVER 1.27[m [.000050] MIN NICKEL PER QQ-N-390.  
CONTACT STRIP: 0.76[m [.000030] MIN GOLD PER MIL-G-45204 OVER 1.02[m [.000040] MIN NICKEL PER QQ-N-390.  
RETENTION CLIP: 2.54[m [.000100] MIN NICKEL PER QQ-N-290.
- 3 RETENTION CLIP: PHOSPHOR BRONZE PER QQ-B-750.  
SOCKET CONTACT: COPPER PER QQ-C-576.  
CONTACT STRIP: BERYLLIUM COPPER PER QQ-C-533.
- 4 SOCKET CONTACT: 1.27[m [.000050] MIN SILVER PER QQ-S-365, ALL OVER 1.27[m [.000050] MIN NICKEL PER QQ-N-290.  
CONTACT STRIP: 5.08[m [.000200] MIN SILVER PER QQ-S-365, ALL OVER 1.02[m [.000040] MIN NICKEL PER QQ-N-290.  
RETENTION CLIP: 2.54[m [.000100] MIN NICKEL PER QQ-N-290.
- 5 CONTACTS WITHOUT RETENTION CLIPS ARE TO BE USED ONLY WITH THE FORGE DRAWER CONNECTORS.



NO	REV	DESCRIPTION	PART NUMBER
NO	4	DETAIL X	213843-7
	4	-	213843-5
	2	DETAIL X	213843-4
YES	4	DETAIL X	213843-3
	2	-	213843-2
	4	-	213843-1
RETENTION CLIP	FINISH	LOOSE PIECE	PART NUMBER

THIS DRAWING IS A CONTROLLED DOCUMENT.

DIMENSIONS: mm [INCHES]	TOLERANCES UNLESS OTHERWISE SPECIFIED:	DW: C. OBERMAN 21 MAR 96	DR: R. STONE 25 MAR 96	APVD: G. STEINHÄUER 26 MAR 96	NAME: G. STEINHÄUER	PRODUCT SPEC: -	APPLICATION SPEC: -	SIZE: A1	CAGE CODE: 00779	DRAWING NO: 213843	RESTRICTED TO: -
0 PLC ± -	1 PLC ± -	2 PLC ± -	3 PLC ± -	4 PLC ± -	ANGLES ± -	WEIGHT: -	CUSTOMER DRAWING	SCALE: 10:1	SHEET: 1 OF 1	REV: B2	

STE TE Connectivity

SOCKET CONTACT ASSEMBLY, 8-10 AWG, POWERBAND, METRIMATE

单击下面可查看定价，库存，交付和生命周期等信息

[>>TE Connectivity\(泰科\)](#)