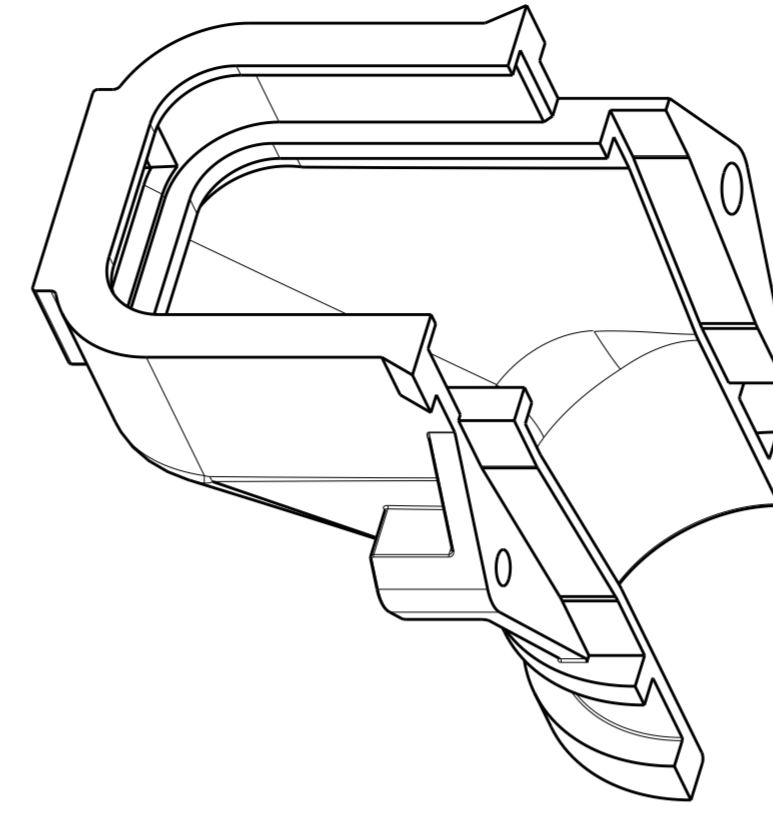
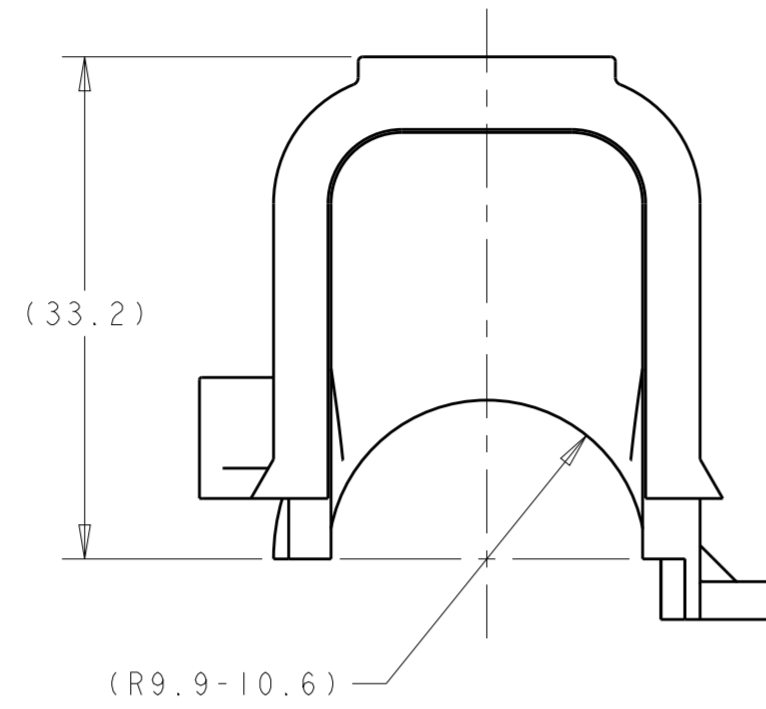


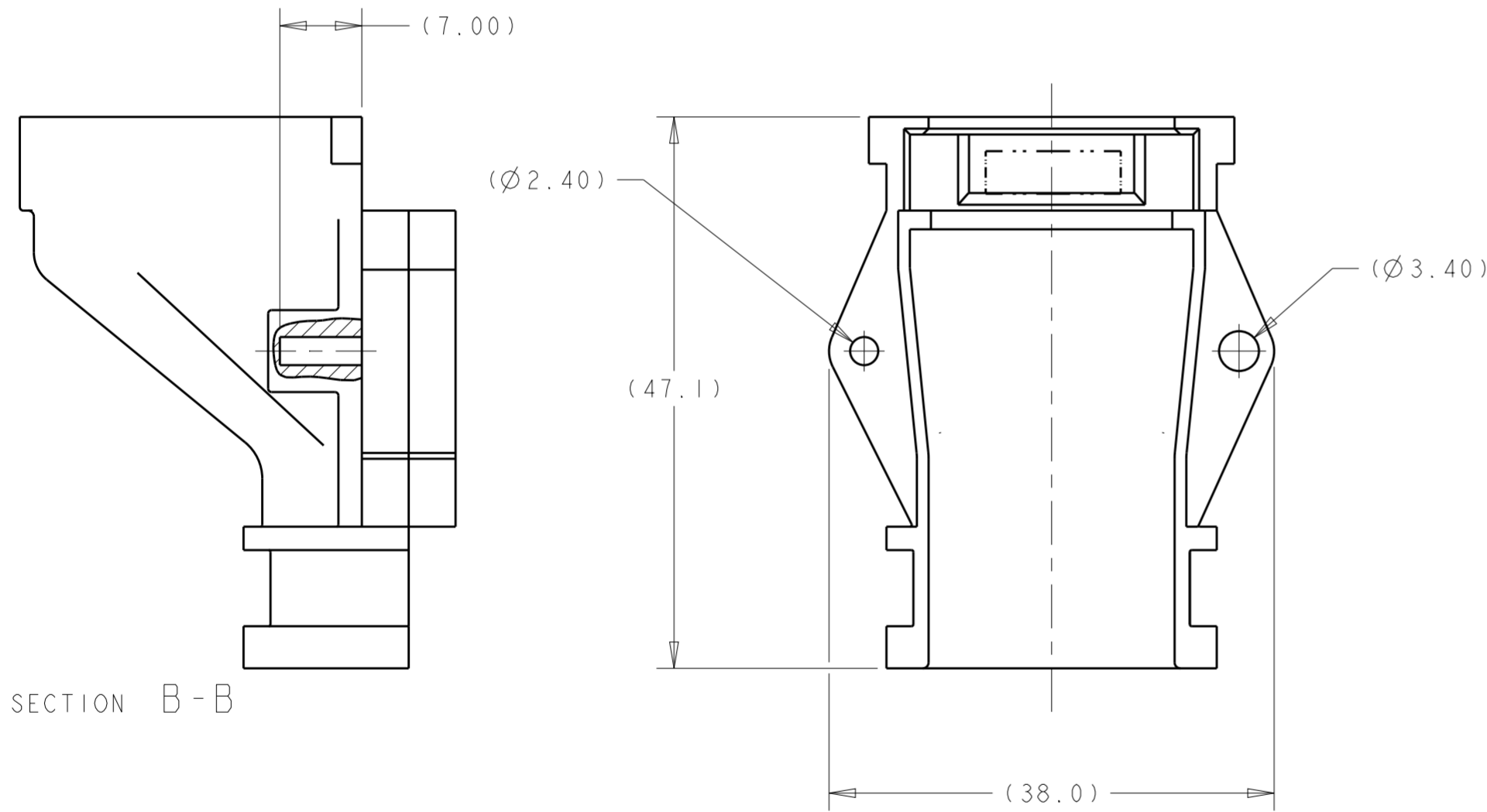
THIS DRAWING IS UNPUBLISHED. RELEASED FOR PUBLICATION 20
 © COPYRIGHT 20 BY - ALL RIGHTS RESERVED.

REVISIONS					
P	LTR	DESCRIPTION	DATE	DWN	APVD
B1		REVISED PER 0K40-0113-04	27APR2004	AG	MT
B2		REVISED PER ECO-15-007694	21MAY2015	DD	DS



SCALE 2:1

- 1 MATERIAL: PBT, 15% GLASS FILLED, COLOR: BLACK
- 2. ACCEPTS #4 SELF TAPPING SCREW (ELCO HI-LO THREAD CUTTING STYLE OR EQUIVALENT) TO BE DRIVEN AT 0.6±0.2 N-M FOR INITIAL ASSEMBLY.



776463-1
PART NUMBER

THIS DRAWING IS A CONTROLLED DOCUMENT.		DWN R. VESTAL 01APR2003	TE Connectivity		
		CHK M. TRULL 01APR2003			
		APVD M. TRULL 01APR2003	NAME WIRE, RELIEF, 35 POSITION		
DIMENSIONS:		PRODUCT SPEC			
mm		APPLICATION SPEC			
TOLERANCES UNLESS OTHERWISE SPECIFIED:		WEIGHT			
0 PLC ±	1 PLC ±	SCALE 2:1 SHEET 1 OF 1 REV B2			
2 PLC ±0.10	3 PLC ±	CUSTOMER DRAWING			
4 PLC ±	ANGLES ±2°				
FINISH					

单击下面可查看定价，库存，交付和生命周期等信息

[>>TE Connectivity\(泰科\)](#)